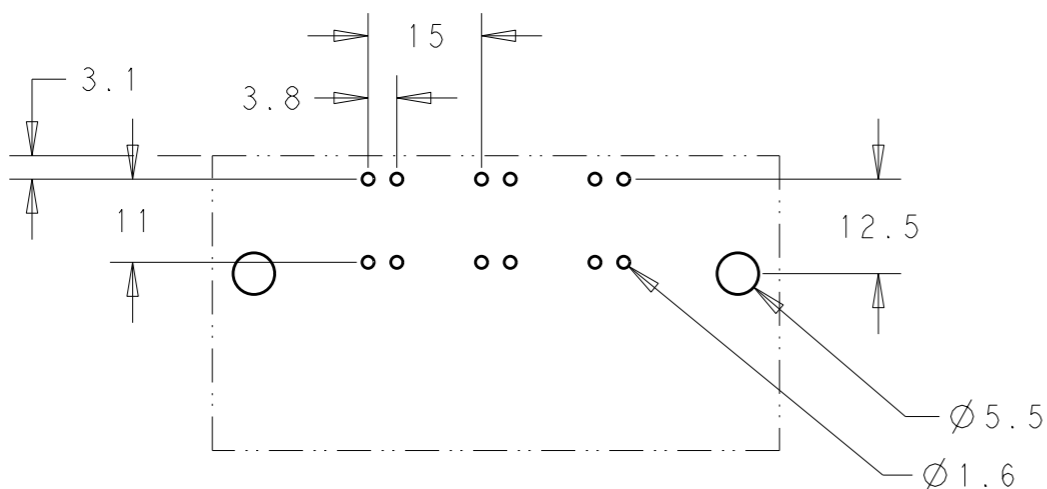
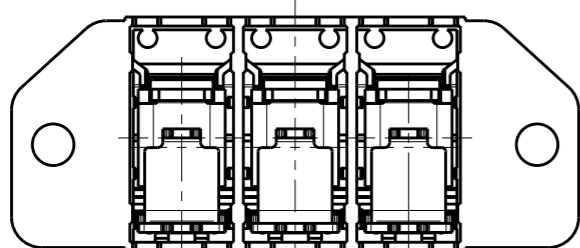
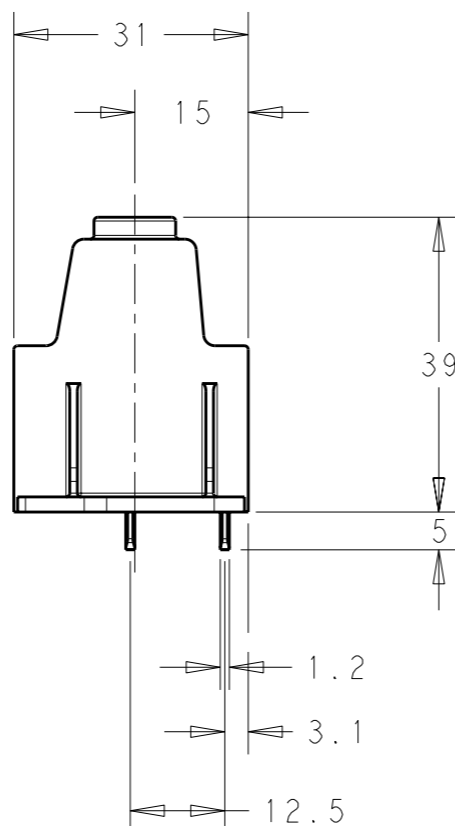
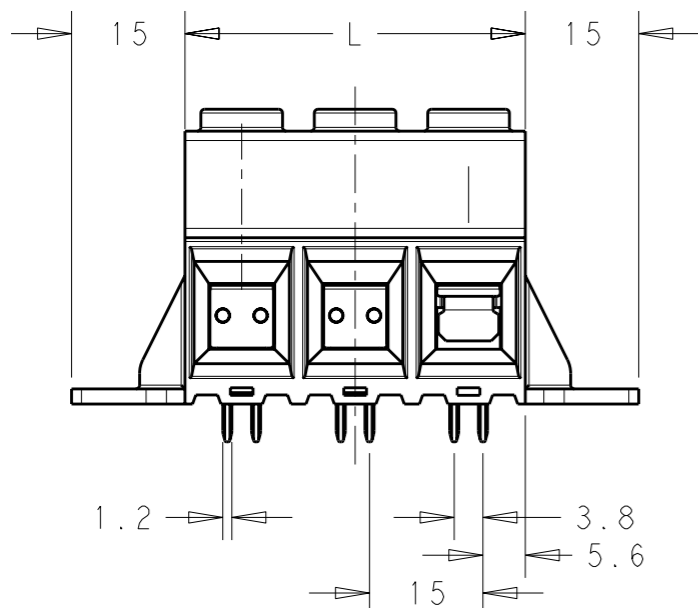
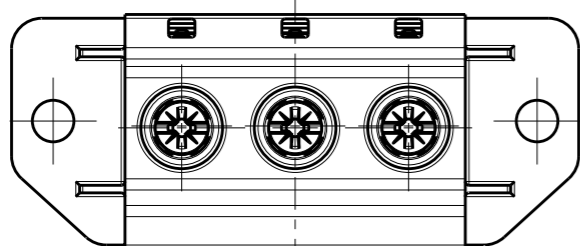


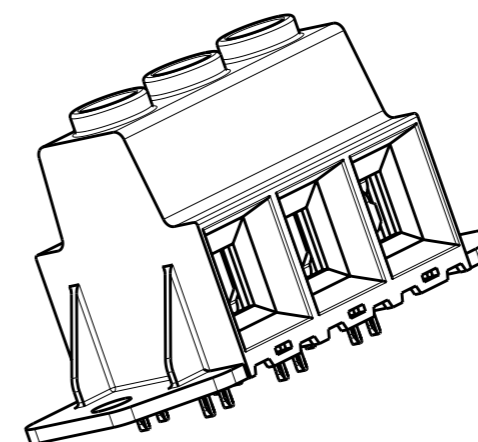
LOC	DIST	REVISIONS					
		P	LTR	DESCRIPTION	DATE	DWN	APVD
AI	-		B	REVISED PER ECO-12-005569	22MAR2012	HRY	MS



MATERIALS:
 HOUSING- POLYAMIDE, COLOR-GREEN
 SCREW- M5, NICKEL PLATED STEEL.
 CLAMP- TIN PLATED STEEL.
 PIN-TIN OVER NICKEL PLATED COPPER ALLOY.


MECHANICAL:
 PCB THICKNESS-2.40 MAX
 PCB HOLE DIAMETER-1.60 MIN
 STRIP LENGTH-18 MM
 OPERATING TEMPERATURE--40°C TO +110°C
 TORQUE-2.1~2.5 Nm.

ELECTRICAL:
 WIRE RANGE- 20 TO 1 AWG
 VOLTAGE RATING- 600 VOLTS
 CURRENT RATING-130 AMP FIELD WIRING;135 AMP FACTORY WIRING
 CONTACT RESISTANCE-15 MILLOHM MAX
 INSULATION RESISTANCE-10⁹ OHMS MIN (500V DC)



SCALE 1:1
 -3 AS SHOWN

180.00	12	1-1986715-2
165.00	11	1-1986715-1
150.00	10	1-1986715-0
135.00	9	1986715-9
120.00	8	1986715-8
105.00	7	1986715-7
90.00	6	1986715-6
75.00	5	1986715-5
60.00	4	1986715-4
45.00	3	1986715-3
30.00	2	1986715-2
DIM L	POLE	PART NUMBER

THIS DRAWING IS A CONTROLLED DOCUMENT.		DWN 13SEP2011 RAGHAVENDRA	 TE Connectivity	
DIMENSIONS: mm		CHK 13SEP2011 SARVER MICHAEL		
TOLERANCES UNLESS OTHERWISE SPECIFIED:		APVD 13SEP2011 SARVER MICHAEL	NAME POWER TERMINAL BLOCK, SOLDERABLE UP TO 275DEG C DOUBLE PIN MOUNTING FLANGES 02 - 12 POLES PITCH 15.00MM MOUNTING FLANGES	
0 PLC ±- 1 PLC ±0.50 2 PLC ±0.25 3 PLC ±- 4 PLC ±- ANGLES ±1°		PRODUCT SPEC -	SIZE CAGE CODE DRAWING NO RESTRICTED TO	
MATERIAL - FINISH -		APPLICATION SPEC -	A300779 C-1986715	
		WEIGHT -	SCALE 1:1 SHEET 1 OF 1 REV B	
		CUSTOMER DRAWING		