

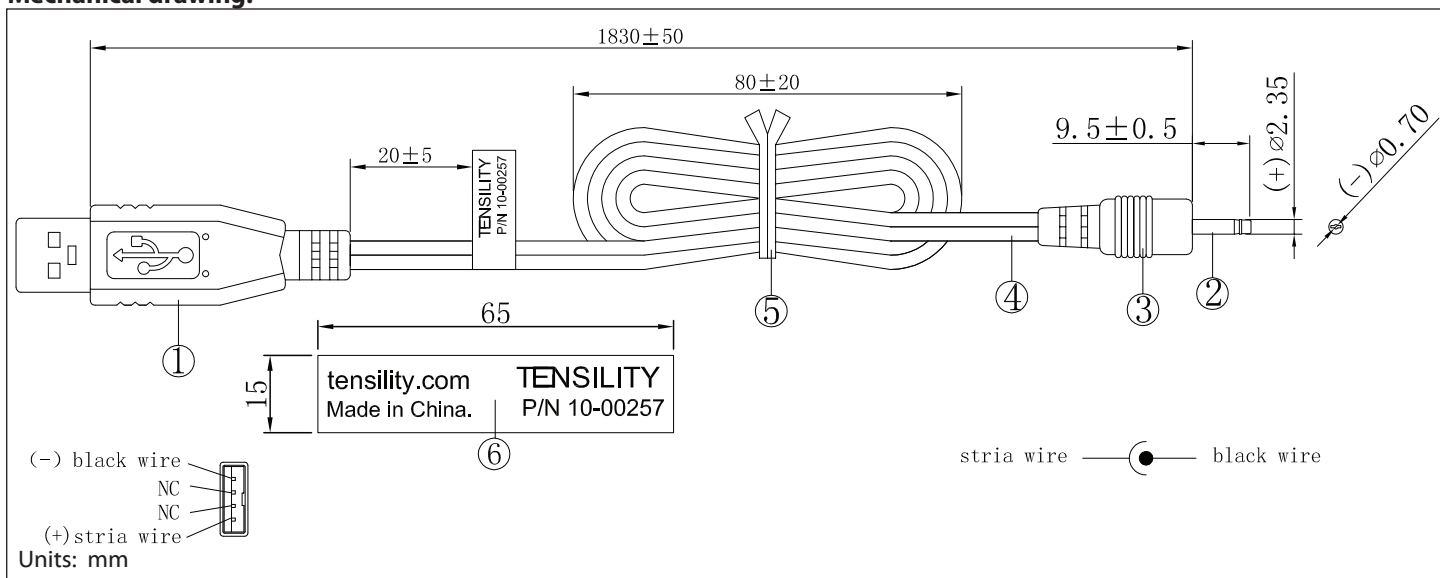
### Specifications:

connector description (1)	USB-A plug; inner mold: 30P, PVC, black; outer mold: 30P, PVC, black
connector description (2)	dc plug, 2.35x0.7xL20.8 mm, EIAJ-1, molding style, spring contacts, P/N 50-00030
overmold (3)	30P, PVC, black UL94V0
wire description (4)	2C, 22 AWG, UL2468, 300V, 80C, 3.6 mm, PVC, 80P, P/N 30-00008
cable outer diameter	Ø3.6 mm
cable color	black
cable length	1830 ± 50 mm
twist tie (5)	black
label (6)	tensility.com, Made in China, TENSILITY P/N 10-00257
current rating	1 A @ 5 Vdc

### Notes:

Function test: no open, no reversed polarity, no short circuit, no INT  
 RoHS compliant  
 Hi-Pot test: 600 Vac, 0.5 mA, 1 second

### Mechanical drawing:



**tolerance X: ±0.5 mm .X: ±0.3 mm .XX: ±0.05 mm**  
 applicable unless otherwise indicated in specification or on drawings  
 Tensility International Corporation reserves the right to substitute parts which are functionally equivalent to the ones specified.

<b>Initial</b>	<b>Date</b>
----------------	-------------

**Revision notes:**

Rev	Date	Description
A	November 10, 2009	initial release
A1	March 18, 2010	label drawing added
A2	September 6, 2011	updated specifications
A3	August 9, 2012	added label specifications, updated to show wire part number 30-00008

**Specification Approval**

Spec sign-off verifies that you have reviewed the entire specification, tested a sample of the product, and confirm that it meets your requirements. This specification reflects the part as it will be ordered. Orders will not be processed until the specification pages have been initialed and the approval page has been signed. This specification is confidential and is not to be transmitted without prior approval from Tensility.

Signature \_\_\_\_\_

Title \_\_\_\_\_

Name \_\_\_\_\_

Date \_\_\_\_\_

Company \_\_\_\_\_

Branch \_\_\_\_\_