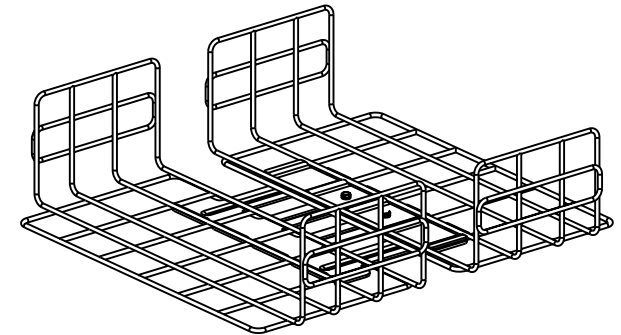
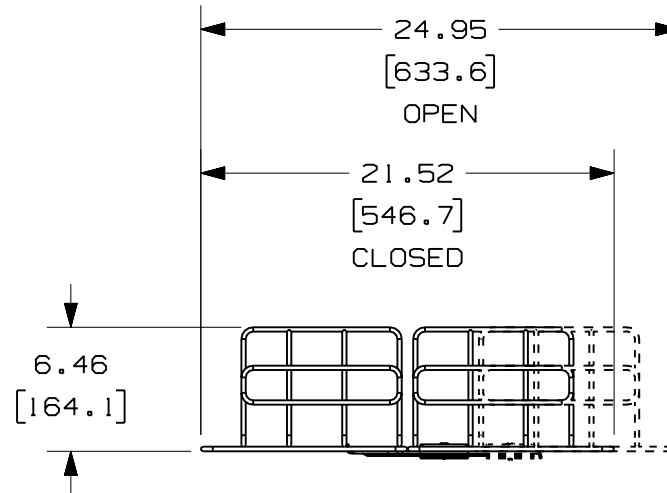
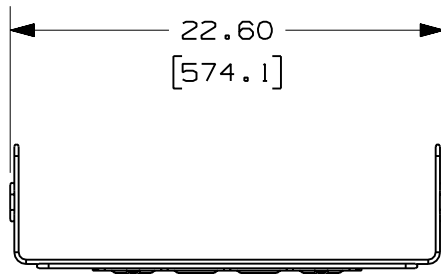
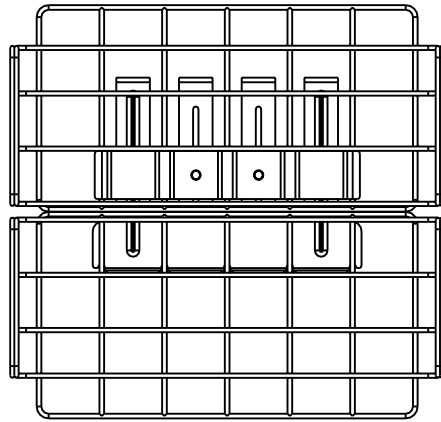


THIS COPY IS PROVIDED ON A RESTRICTED BASIS AND IS NOT TO BE USED IN ANY WAY DETRIMENTAL TO THE INTERESTS OF PANDUIT CORP.

PANDUIT PART NUMBER	WEIGHT
GRLC21X6PG	12.72 LB/EA (5770g/EA)

NOTES:

1. SEE CURRENT CATALOG FOR ADDITIONAL PART SUFFIXES TO INDICATE PACKAGE QUANTITY.
2. DIMENSIONS IN PARENTHESES ARE IN METRIC.



ENG. REF.: 39065KB_DC/00 GRLC21X6.prt

CAD FILENAME/LAYERS

GRLC21X6PG.pdf

PANDUIT CORP TINLEY PARK, ILLINOIS
GRIDRUNNER 21x6 WIRE BASKET
LEVEL CHANGE (GRLC21X6PG)
 CUSTOMER DRAWING

UNLESS OTHERWISE SPECIFIED,
 DIMENSIONAL TOLERANCES ARE:

(.X) ± (.XXX) ±
 (.XX) ± .05 (1.3) ANGLES ±

UNLESS OTHERWISE SPECIFIED,
 ALL DIMENSIONS ARE GIVEN IN
 INCHES, THIRD ANGLE PROJECTION.

DRAWN BY: MSO

MAT'L:

SCALE:

NONE

DATE: 10-30-07

PRE-GALVANIZED
 STEEL

DRAWING NO.:

39065-75

DWG

A
 SIZE

REV	DATE	BY	CHK	DESCRIPTION	ECN	R	CUST	SUP	GMBH
R	10-30-07	MSO	SABR	RELEASED TO PRODUCTION	39065-75	RN	RN		