



PRODUCT DATASHEET

Lena series

last update 23/2/2014

DETAILS

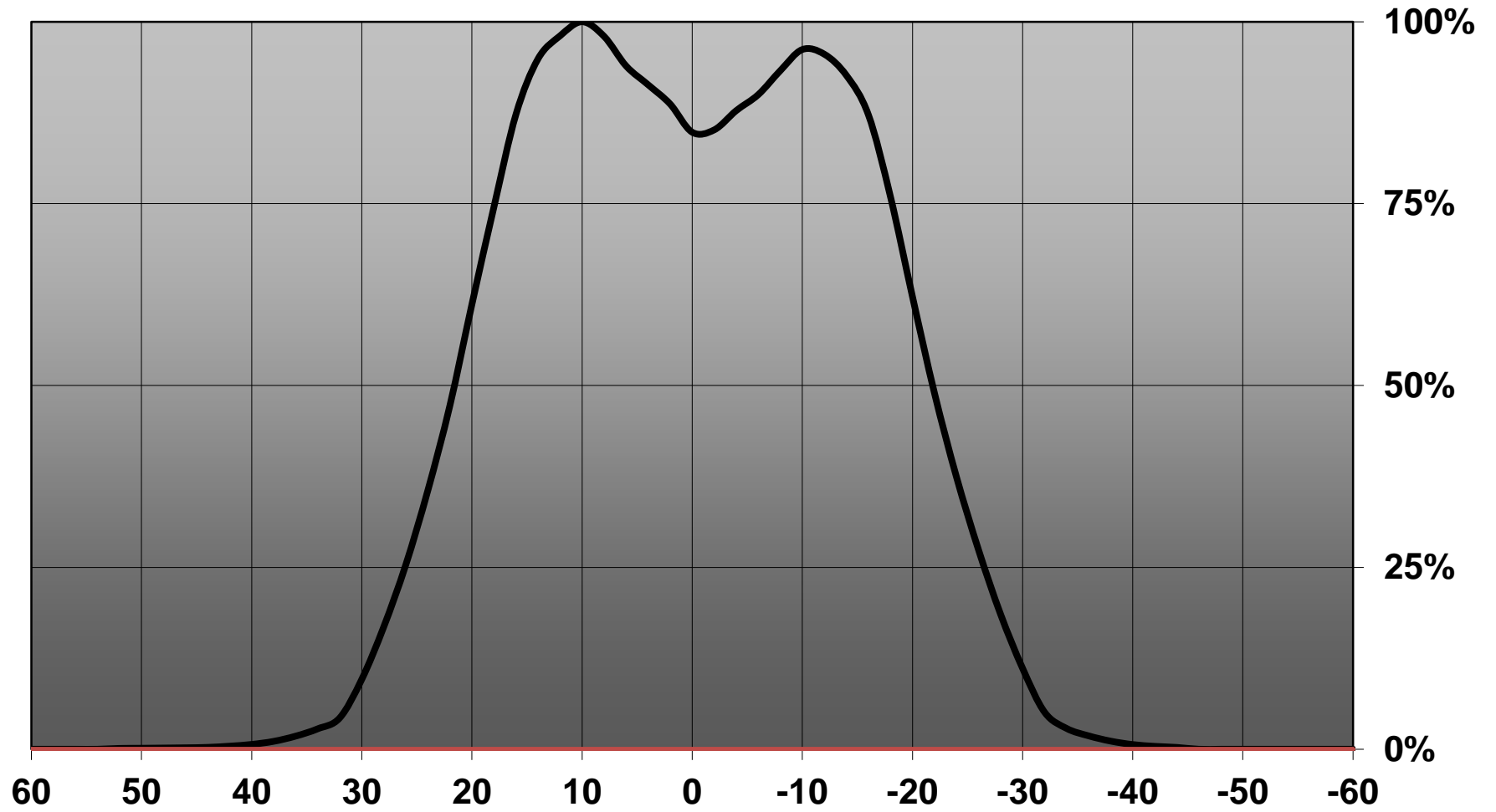
Product Number	CN13336_LENA-W
Family	Lena
Type	RefPack
Color	metal
Diameter	111 mm
Height	87 mm
Style	round
Optic Material	
Holder Material	
Fastening	socket, screw
Status	production ready
ROHS Compliant	Yes
Date Updated	23/02/2014



OPTICAL PROPERTIES

LED	Viewing Angle	Light Beam	Efficiency	cd/lm	Connector
CXA/B 25xx	44 deg	Wide	81 %	1.500	-

Relative intensity of CN13336_LENA-W-CXA25



D

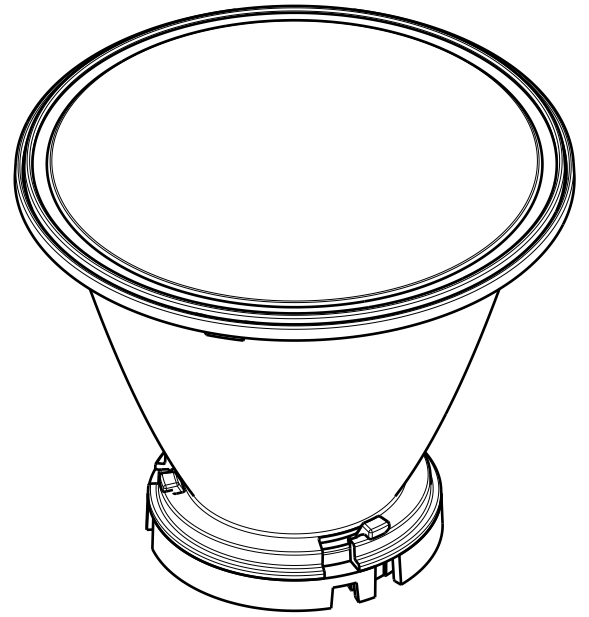
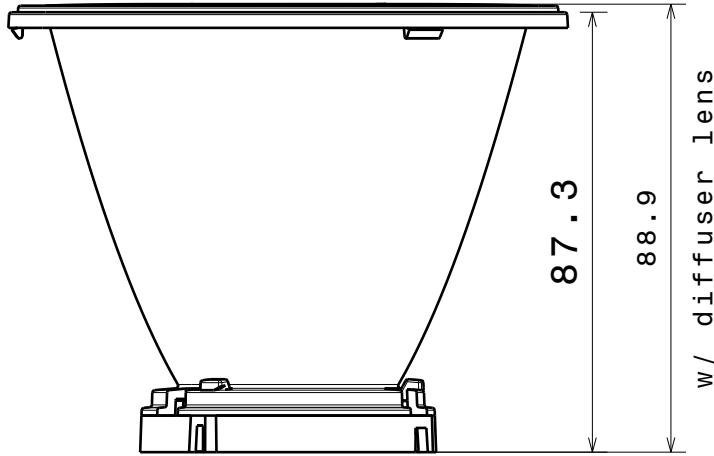
C

B

A

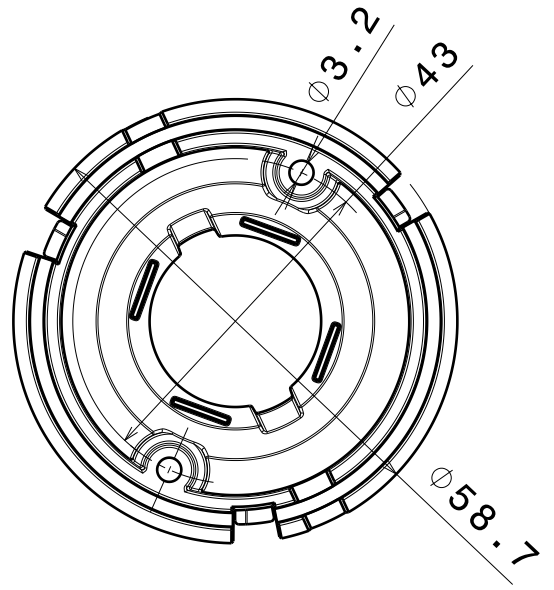
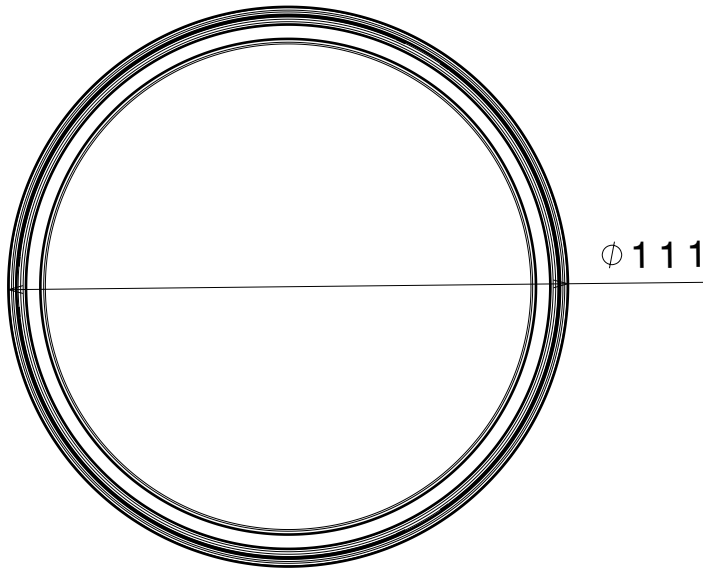
4

4



3

3



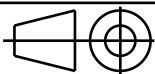
2

2

Tolerances if not otherwise shown
 According to DIN ISO 2768-1
 Linear measures:
 Up to 30mm class M, otherwise class C.
 According to DIN ISO 2768-2
 Form and position: class L

LEDiL LediL Oy
 Salorankatu 10
 FIN 24240 SALO
 Finland

THIRD ANGLE PROJECTION:



DRAWING TITLE

LENA-CXA25

This drawing is the property
 of LEDiL Oy. It may not be
 reproduced, copied or
 communicated without a written
 agreement with LEDiL Oy.

SIZE PART NUMBER
 A4

SCALE 2:3 WEIGHT - g SHEET 1/1

D

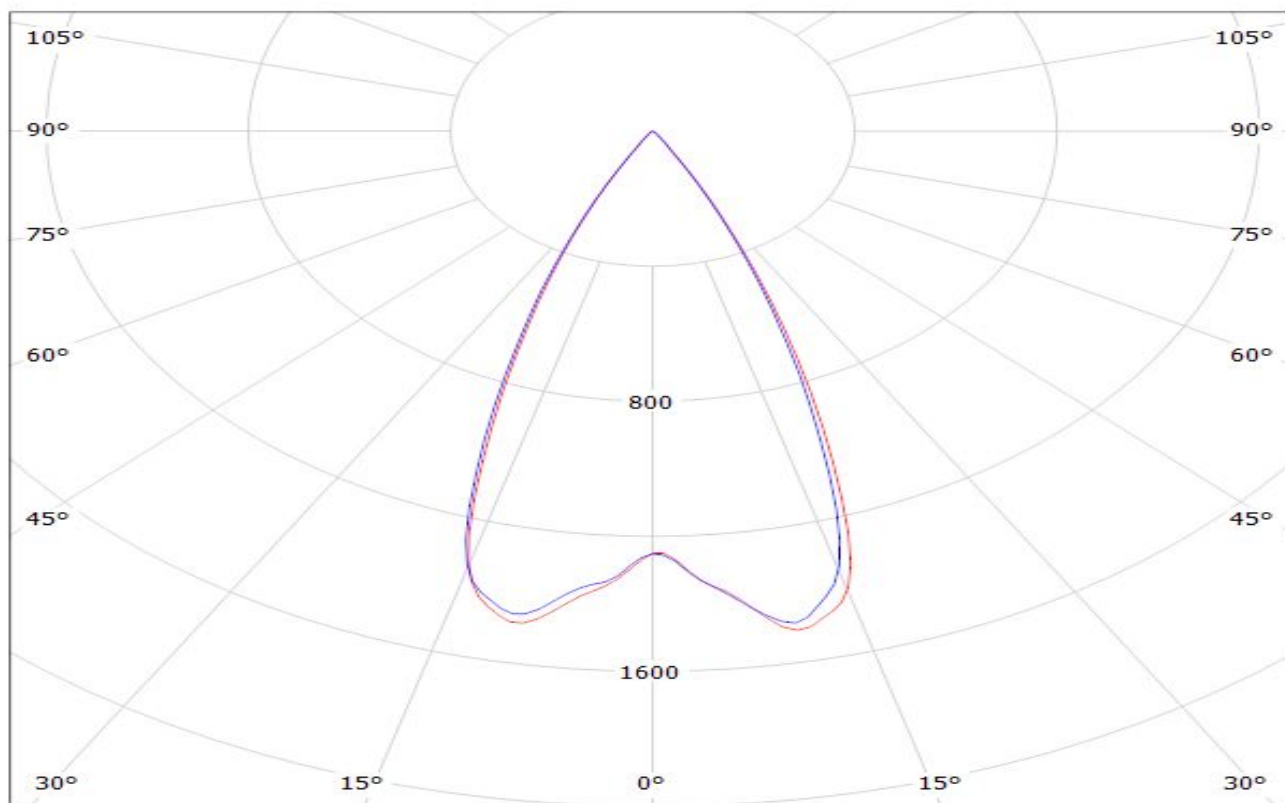
A

1

1

Luminaire: LEDiL Oy CN13336_LENA-W_(CXA25)

Lamps: 1 x CREE_CXA25_(2520-7A-N4-N0U) 880.7lm@250mA CCT=3000K P=8.57407W I=249.9mA



cd/klm

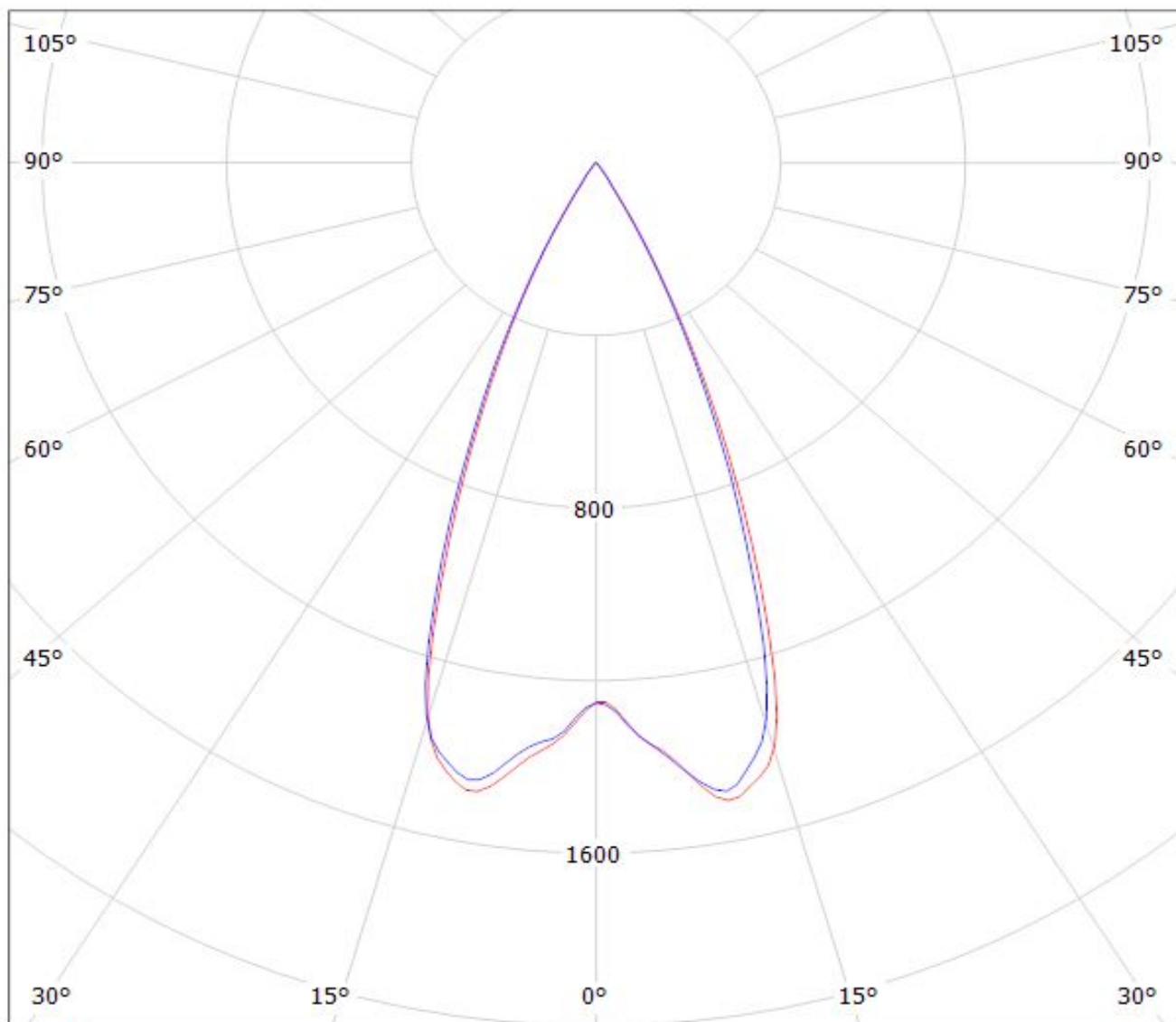
C0 - C180

C90 - C270

$\eta = 79\%$

Luminaire: LEDiL Oy CN13336_LENA-W_(CXA25)

Lamps: 1 x CREE_CXA25_(2520-7A-N4-N0U) 880.7lm@250mA CCT=3000K P=8.57407W I=249.9mA



cd/klm

$\eta = 79\%$

— C0 - C180

— C90 - C270

NOTE: The typical divergence will be changed by different color, chip size and chip position tolerance. The typical total divergence is the full angle measured where the luminous intensity is half of the peak value.