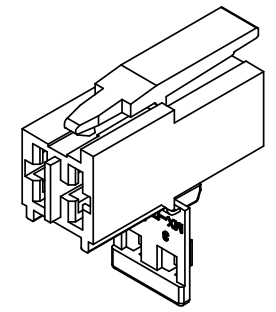
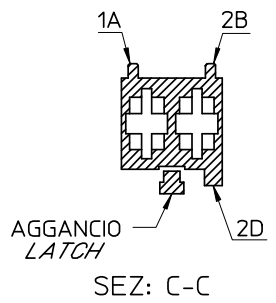


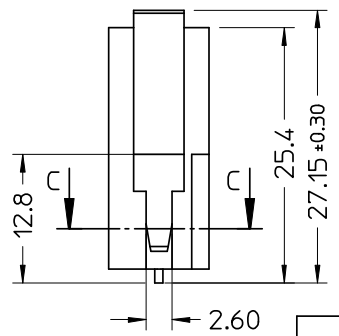
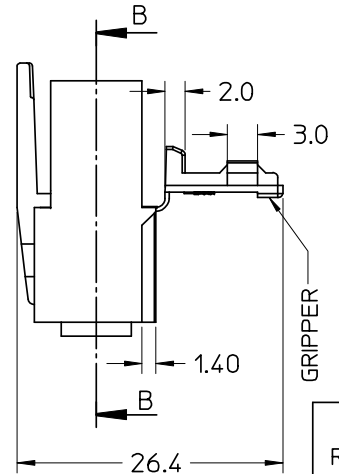
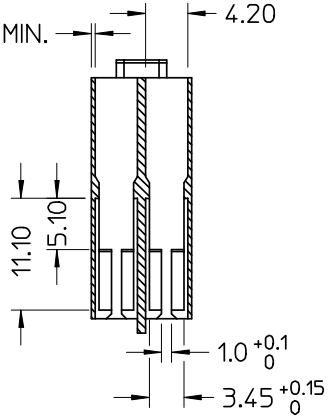
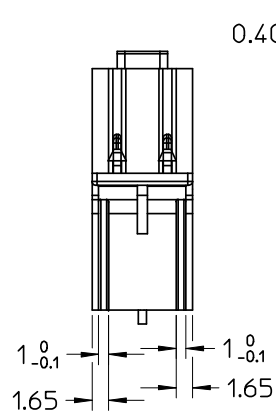
CONFIGURAZIONE POLARIZZAZIONI
POLARIZATION CONFIGURATION



NOTE:
 - USATO CON TERMINALE 94518-0XXX E 94549-0XXX
 - SPECIFICA DI RIFERIMENTO PER IL CONNETTORE PS-94550-001
 - PER CARATTERISTICHE DI CRIMPATURA RIF. SD-94518-005 E SD-94549-001
 - FORZA DI DISACCOPIAMENTO CONNETTORE (TRAZIONANDO DAI CAVI SENZA AZIONARE L'AGGANCIO): 40 N MIN.
 - SPESSORE MINIMO PARETI CONNETTORE 0.40 mm.

NOTE:
 - USED WITH TERMINALS 94518-0XXX AND 94549-0XXX
 - REFER TO PS-94550-001 FOR CONNECTOR SPECIFICATION
 - REFER TO SD-94518-005 AND SD-94549-001 FOR CRIMPING CHARACTERISTICS
 - CONNECTOR DISENGAGEMENT FORCE (PULLING BY THE WIRES, WITHOUT ACTUATING THE LATCH): 40 N MIN.
 - MINIMUM CONNECTOR WALL THICKNESS 0.40 mm.

CONFEZIONE: Box da 3500 Pz.
 PACKAGING: 3500 pcs in carton box

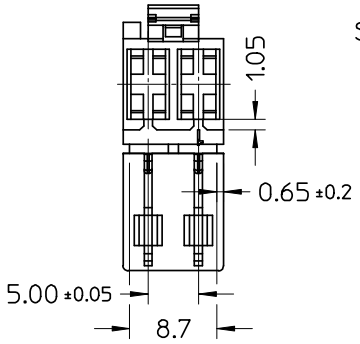


* AGENCY RECOGNIZATIONS
 CSA (file LR19980)
 UL (file E-29179)

P/N	MATERIAL/COLOR
* 94550-9102	NYLON 6.6 V0 NATURAL
94550-8102	NYLON 6.6 V2 NATURAL
94550-4102	NYLON 6.6 GWT 750°C sec.IEC 60335-1 TEST METHOD IEC 60695-2-11 NATURAL

SPQ = 3500

Std. Descr.: 'HSG W/SEC LOCK AND LATCH 2CKT _____ COLOR'



SEZ: B-B

EC NO: Z2006-0038
 DRWN: FGOTTARD 2005/09/21
 CHKD: RSANDAN 2005/09/21
 APPR: GZUIN 2005/09/21

QUALITY SYMBOLS	GENERAL TOLERANCES (UNLESS SPECIFIED)	
	mm	INCH
▽ = 0	4 PLACES ± ---	± ---
▽ = 0	3 PLACES ± ---	± ---
▽ = 0	2 PLACES ± 0.10	± ---
▽ = 0	1 PLACE ± 0.2	± ---
▽ = 0	ANGULAR ± 2°	

SCALE	DESIGN UNITS
2:1	METRIC
DIMENSION STYLE	
MM ONLY	
DRAWN BY	DATE
FGOTTARD	2002/06/27
CHECKED BY	DATE
MTESTAGU	2002/06/27
APPROVED BY	DATE
GZUIN	2002/06/27

FIRST ANGLE PROJECTION	REVISE ON CAD ONLY
TITLE	
HSG 2 CKT WITH SEC.LOCK AND EXTERNAL LATCH	
MOLEX INCORPORATED	
MATERIAL NO.	DOCUMENT NO.
SEE TABLE	SD-94550-006
SHEET NO.	1 OF 1
THIS DRAWING CONTAINS INFORMATION THAT IS PROPRIETARY TO MOLEX INCORPORATED AND SHOULD NOT BE USED WITHOUT WRITTEN PERMISSION	