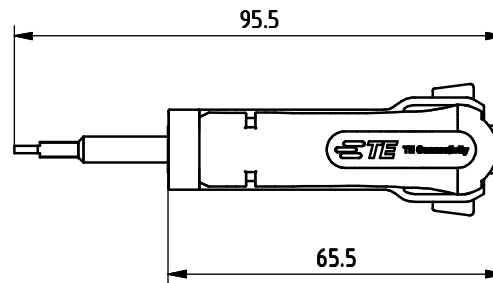
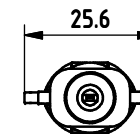
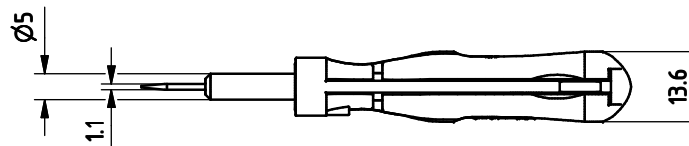
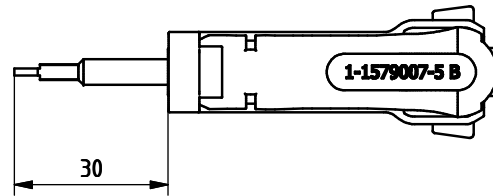
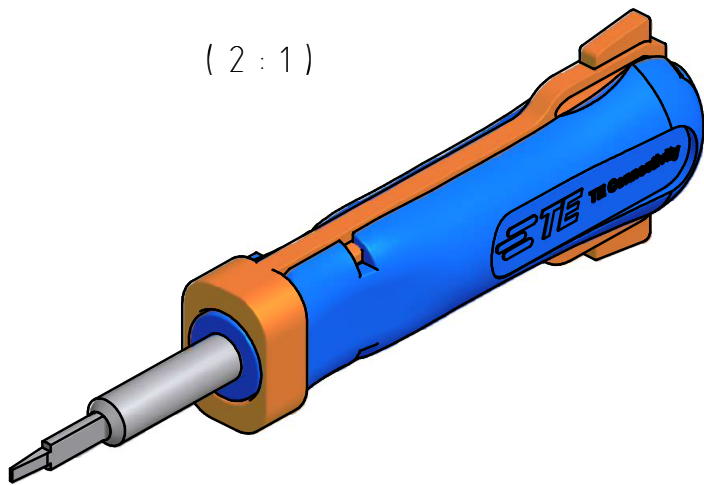


THIS DRAWING IS UNPUBLISHED. RELEASED FOR PUBLICATION
 © COPYRIGHT - BY TYCO ELECTRONICS CORPORATION. ALL INTERNATIONAL RIGHTS RESERVED.

LOC	DIST	REVISIONS				
P	LTR	DESCRIPTION	DATE	DWN	APVD	
AI	00	B	ECR-11-012097	10JUN11	LS	GS

(2:1)



THIS DRAWING IS A CONTROLLED DOCUMENT.		DWN J. Zajicek 24MAR05		
DIMENSIONS: mm		CHK J. Zajicek 09AUG10		
TOLERANCES UNLESS OTHERWISE SPECIFIED:		APVD J. Zajicek 09AUG10	NAME EXTRACTION TOOL Entriegelungswerkzeug	
<ul style="list-style-type: none"> 0 PLC +0.1 1 PLC +0.05 2 PLC +0.02 3 PLC +0.01 4 PLC +0.005 ANGLES ±		PRODUCT SPEC	RESTRICTED TO	
MATERIAL		APPLICATION SPEC	SIZE A3	CAGE CODE 00779
FINISH		Gewicht / Weight in Kg 0.014	DRAWING NO C= 1-1579007-5	
		CUSTOMER DRAWING		SCALE 1:1
				SHEET 1 of 1
				REV B

D
C
B
A