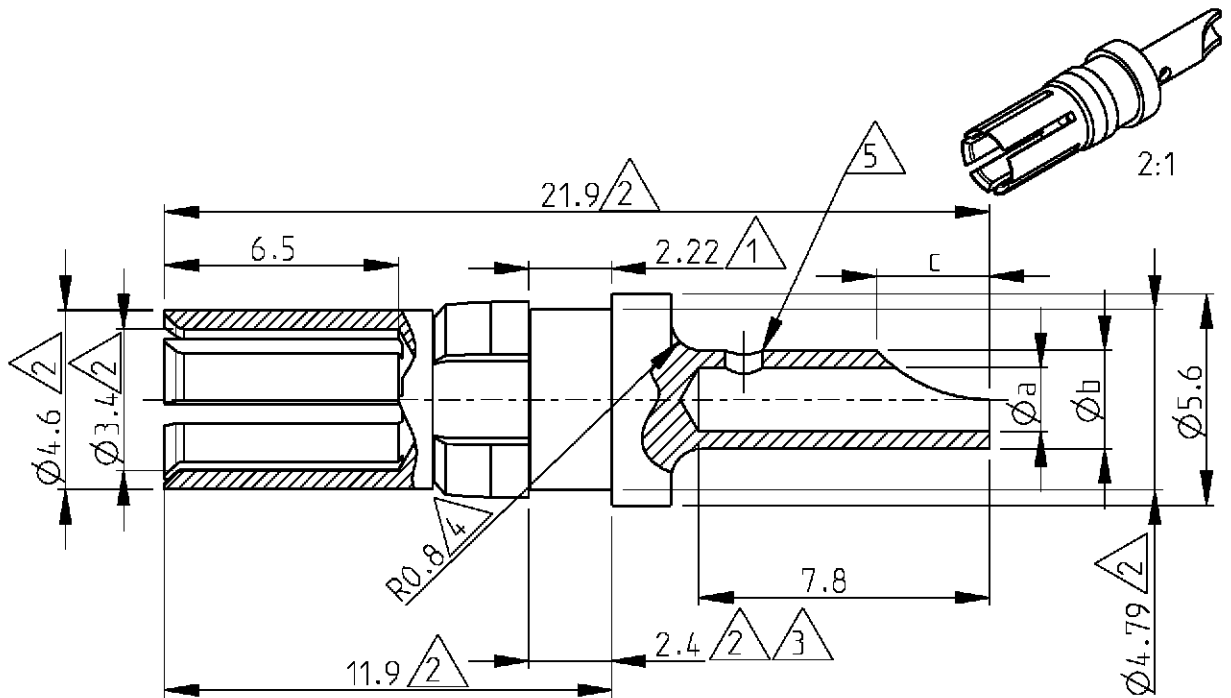


LOC	DIST	REVISIONS					
GW	-	P	LTR	DESCRIPTION	DATE	DWN	APVD
		A1		REVISED PER ECO-11-005294	06APR11	RK	HMR



6) Application : DIN 41612 type M.

- △5 Only on 1-1393589-1
- △4 Not applicable on 1393589-7
- △3 Measured with spring moved towards the mating face
- △2 Max dimension
- △1 Min dimension



Cross reference table								
Old part number	part number	Current	∅a	∅b	dim c	Material	Plating	
1-1393589-1	C42334-A347-A96	10 A	1.7	2.6	3	Brass	1 µm Au or Pd in contact area	
1393589-9	C42334-A347-A95	20 A	2.8	3.7	4	Brass	1 µm Au or Pd in contact area	
1393589-7	C42334-A347-A94	40 A	4.8	5.6	5.2	Brass	1 µm Au or Pd in contact area	

DIMENSIONS: mm	DWN B. Lenvain	23APR2001	MATERIAL	-	FINISH	-
	CHR K. Mattheeuws	23APR2001	TE TE Connectivity			
TOLERANCES UNLESS OTHERWISE SPECIFIED:	APVD R. Leeman	23APR2001				
0 PLC ±	PRODUCT SPEC	-	NAME High current socket with wire connection			
1 PLC ±	-	-	SIZE	CAGE CODE	DRAWING NO	RESTRICTED TO
2 PLC ±	APPLICATION SPEC	-	A4	00779	©=1393589-7	-
3 PLC ±	-	-	WEIGHT -			
4 PLC ±	-	-	CUSTOMER DRAWING			
ANGLES ±	-	-	SCALE	SHEET	OF	REV
	-	-	5/1	1	1	A1

THIS DRAWING IS UNPUBLISHED. ALL RIGHTS RESERVED. © COPYRIGHT

RELEASED FOR PUBLICATION