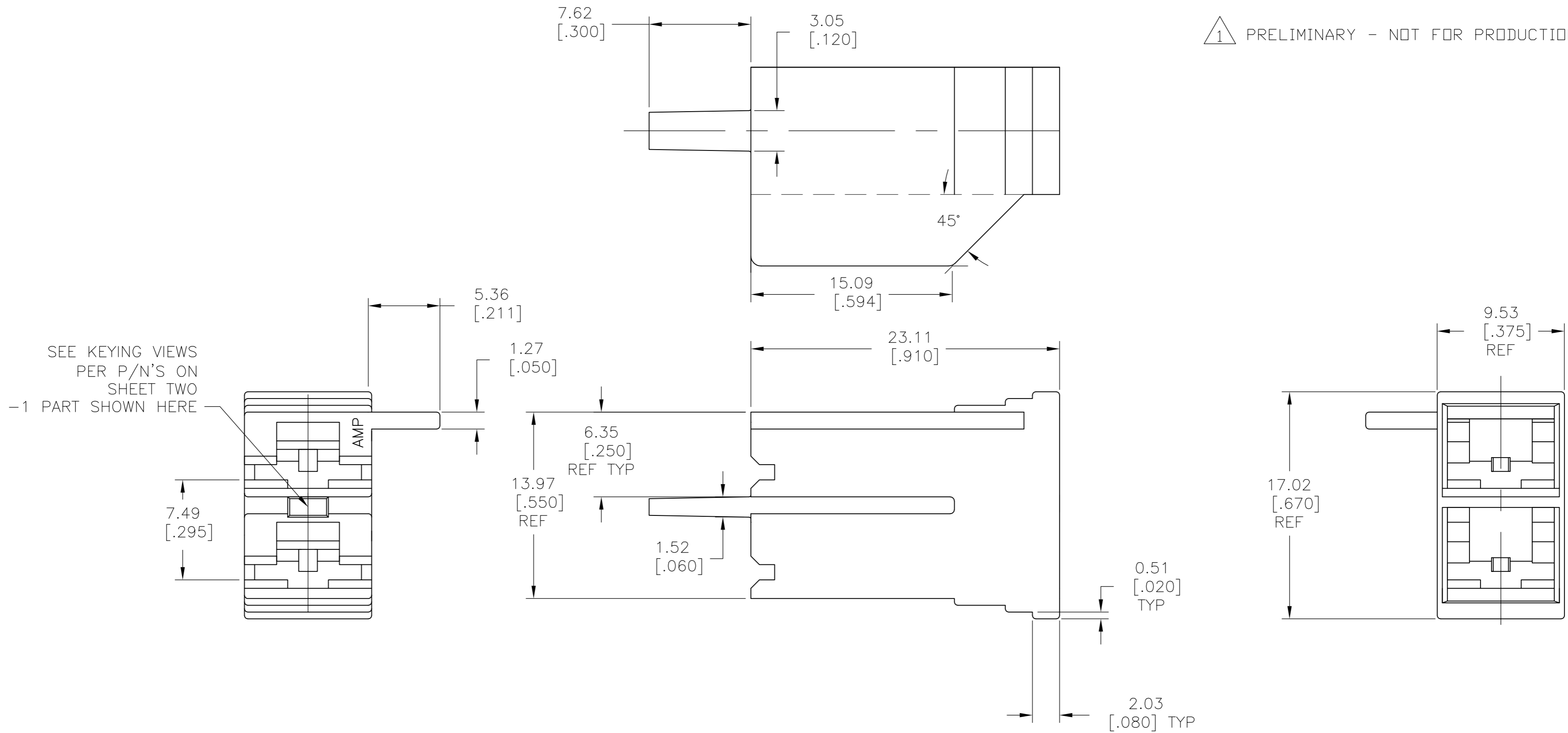


THIS DRAWING IS UNPUBLISHED. RELEASED FOR PUBLICATION
 © COPYRIGHT BY TYCO ELECTRONICS CORPORATION. ALL INTERNATIONAL RIGHTS RESERVED.

LOC	DIST	REVISIONS			
P	LTR	DESCRIPTION	DATE	DWN	APVD
AF	50	A3	REVISED PER ECR-10-019083	14SEPT10	JR PD

⚠ PRELIMINARY - NOT FOR PRODUCTION

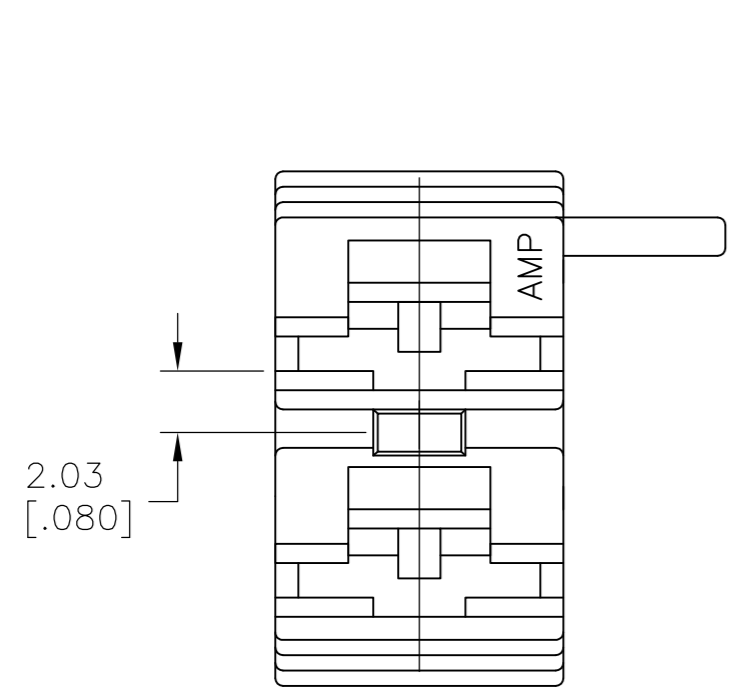


COLOR	MATERIAL	PART NO
RED	66 NYLON, V0	⚠ 1969232-5
GREEN	66 NYLON, V0	1969232-4
YELLOW	66 NYLON, V0	1969232-3
BLACK	66 NYLON, V0	1969232-2
NATURAL	66 NYLON, V0	1969232-1

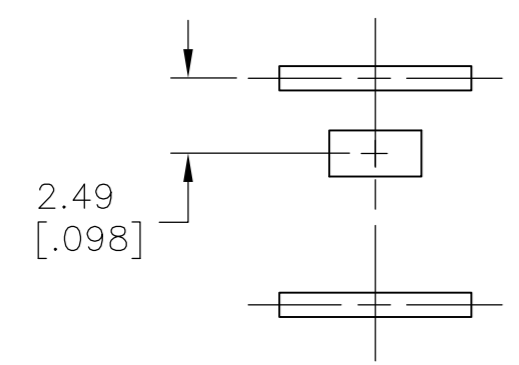
THIS DRAWING IS A CONTROLLED DOCUMENT.		DWN jr ruth 16DEC08	Tyco Electronics Corporation Harrisburg, PA 17105-3608	
DIMENSIONS: mm [INCHES]		CHK P DESANTIS 16DEC08	NAME HOUSING, RECEPTACLE, FASTON, .250 SERIES, 2 CIRCUIT	
TOLERANCES UNLESS OTHERWISE SPECIFIED:		APVD P DESANTIS 16DEC08	SIZE A2	CAGE CODE 00779
0 PLC ± -		PRODUCT SPEC	DRAWING NO C=1969232	RESTRICTED TO
1 PLC ± -		APPLICATION SPEC	SCALE 4:1	SHEET 1 OF 2
2 PLC ± 0.25 [.010]		WEIGHT -	REV A3	
3 PLC ± -		CUSTOMER DRAWING		
4 PLC ± -				
ANGLES ± 5°				
FINISH SEE TABLE				

THIS DRAWING IS UNPUBLISHED. RELEASED FOR PUBLICATION
 © COPYRIGHT BY TYCO ELECTRONICS CORPORATION. ALL INTERNATIONAL RIGHTS RESERVED.

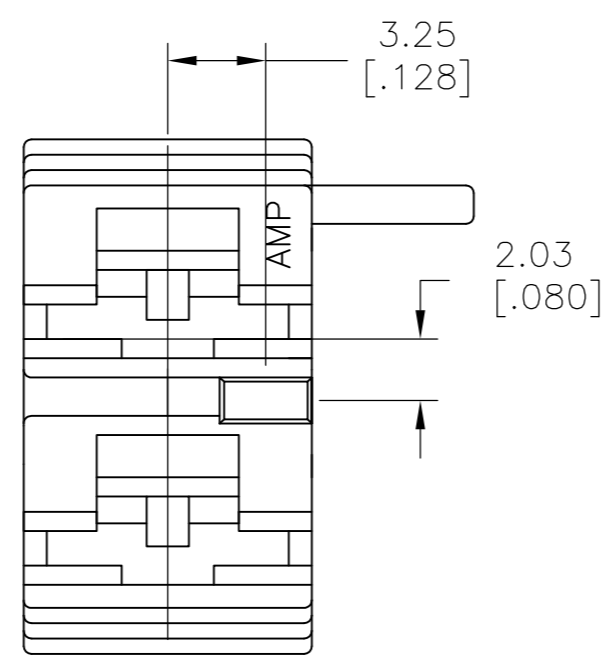
LOC		DIST		REVISIONS			
P	LTR	DESCRIPTION	DATE	DWN	APVD		
AF	50	SEE SHEET 1	-	-	-		



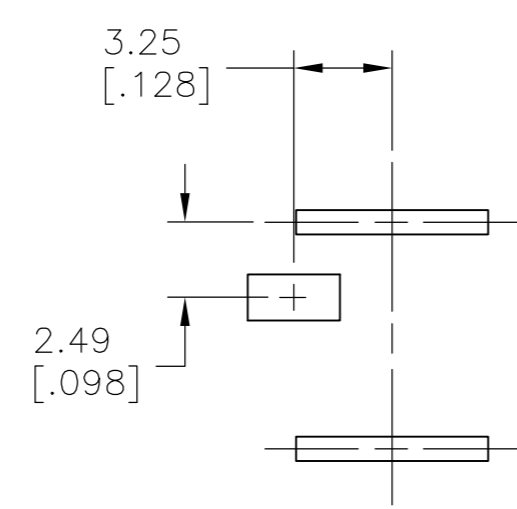
KEYING FOR -1
TAB ENTRY VIEW
NATURAL



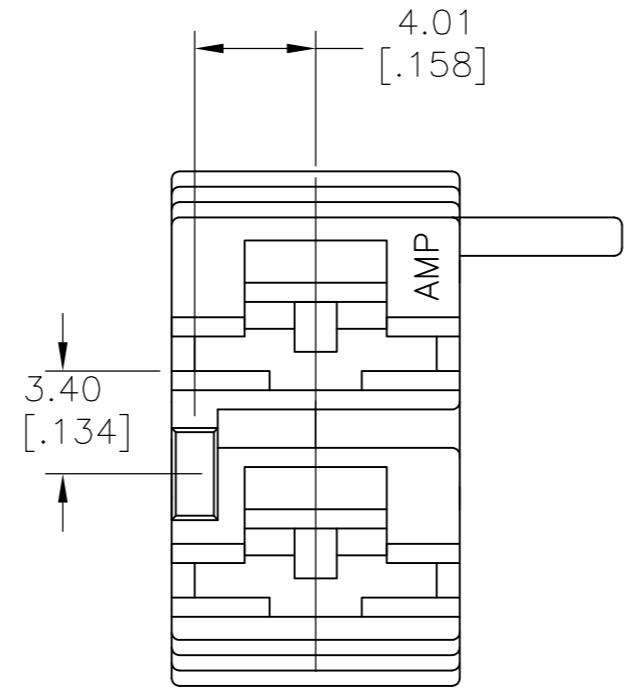
SUGGESTED
PC BOARD
CIRCUIT FOR
1969232-1



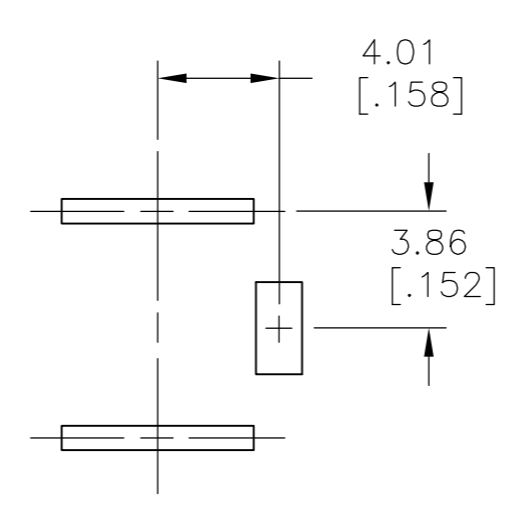
KEYING FOR -2
TAB ENTRY VIEW
BLACK



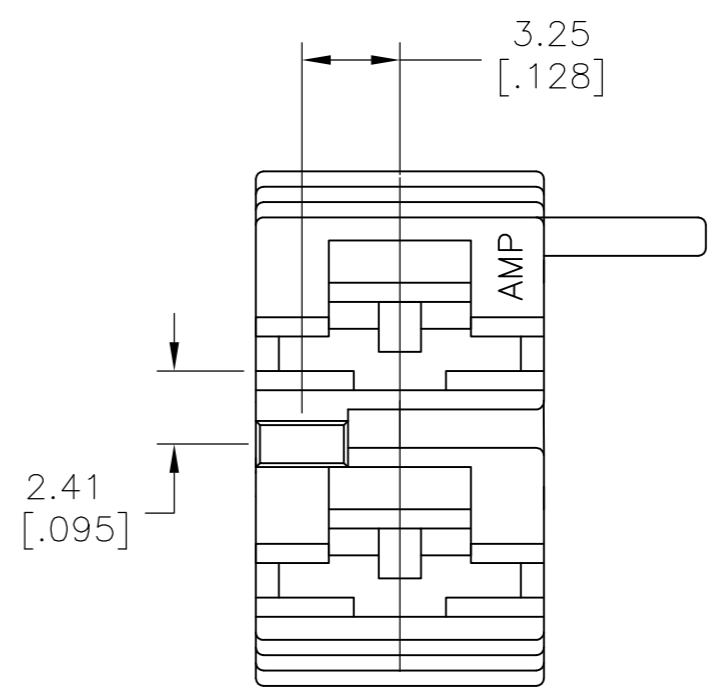
SUGGESTED
PC BOARD
CIRCUIT FOR
1969232-2



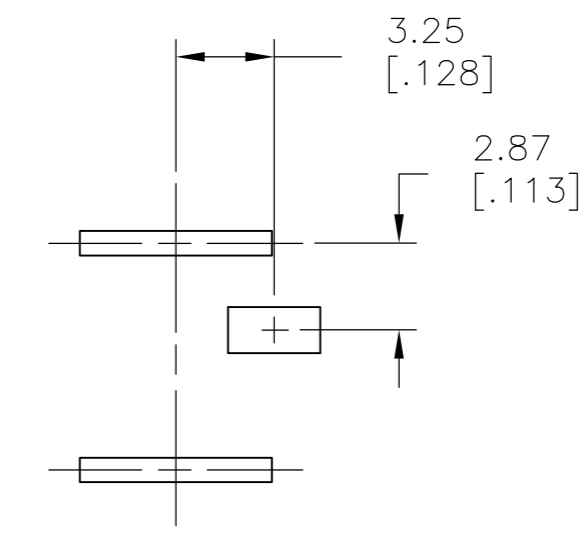
KEYING FOR -3
TAB ENTRY VIEW
YELLOW



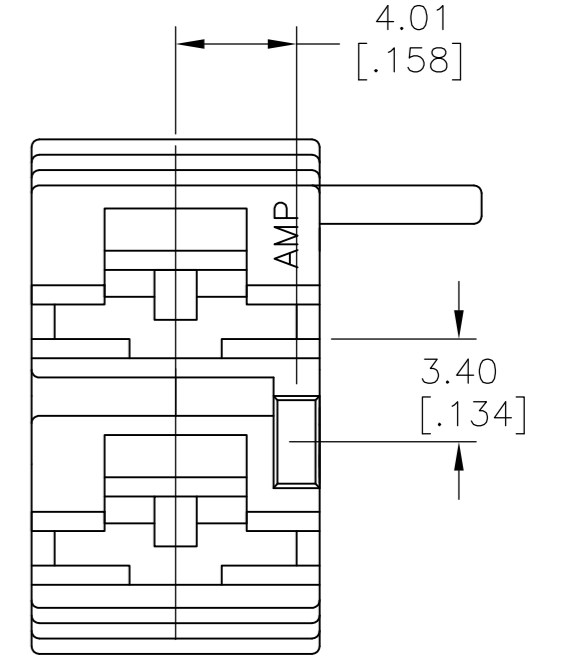
SUGGESTED
PC BOARD
CIRCUIT FOR
1969232-3



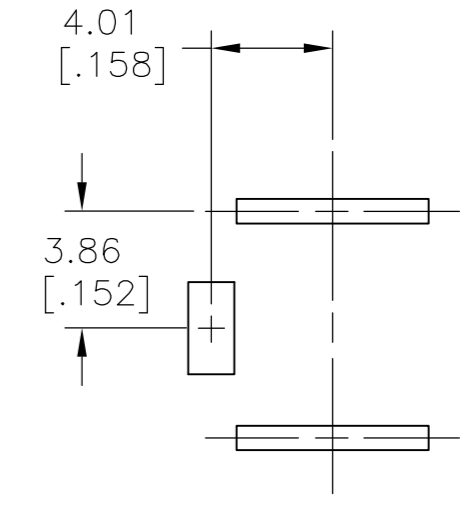
KEYING FOR -4
TAB ENTRY VIEW
GREEN



SUGGESTED
PC BOARD
CIRCUIT FOR
1969232-4



KEYING FOR -5
TAB ENTRY VIEW
RED



SUGGESTED
PC BOARD
CIRCUIT FOR
1969232-5

THIS DRAWING IS A CONTROLLED DOCUMENT.		DWN jr ruth 16DEC08	Tyco Electronics Corporation Harrisburg, PA 17105-3608	
DIMENSIONS: mm [INCHES]		CHK P DESANTIS 16DEC08	NAME HOUSING, RECEPTACLE, FASTON, .250 SERIES, 2 CIRCUIT	
TOLERANCES UNLESS OTHERWISE SPECIFIED: 0 PLC ± - 1 PLC ± - 2 PLC ± 0.25 [.010] 3 PLC ± - 4 PLC ± - ANGLES ± 5°		APVD P DESANTIS 16DEC08	PRODUCT SPEC APPLICATION SPEC	
MATERIAL SEE TABLE	FINISH SEE TABLE	WEIGHT -	SIZE A2	CAGE CODE 00779
CUSTOMER DRAWING		SCALE 4:1	DRAWING NO C=1969232	RESTRICTED TO -
		SHEET 2 OF 2	REV A3	