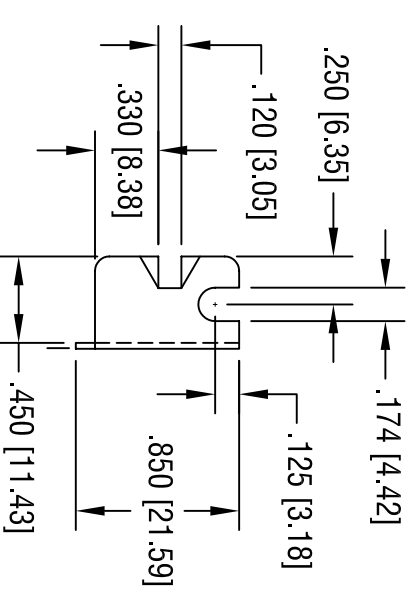
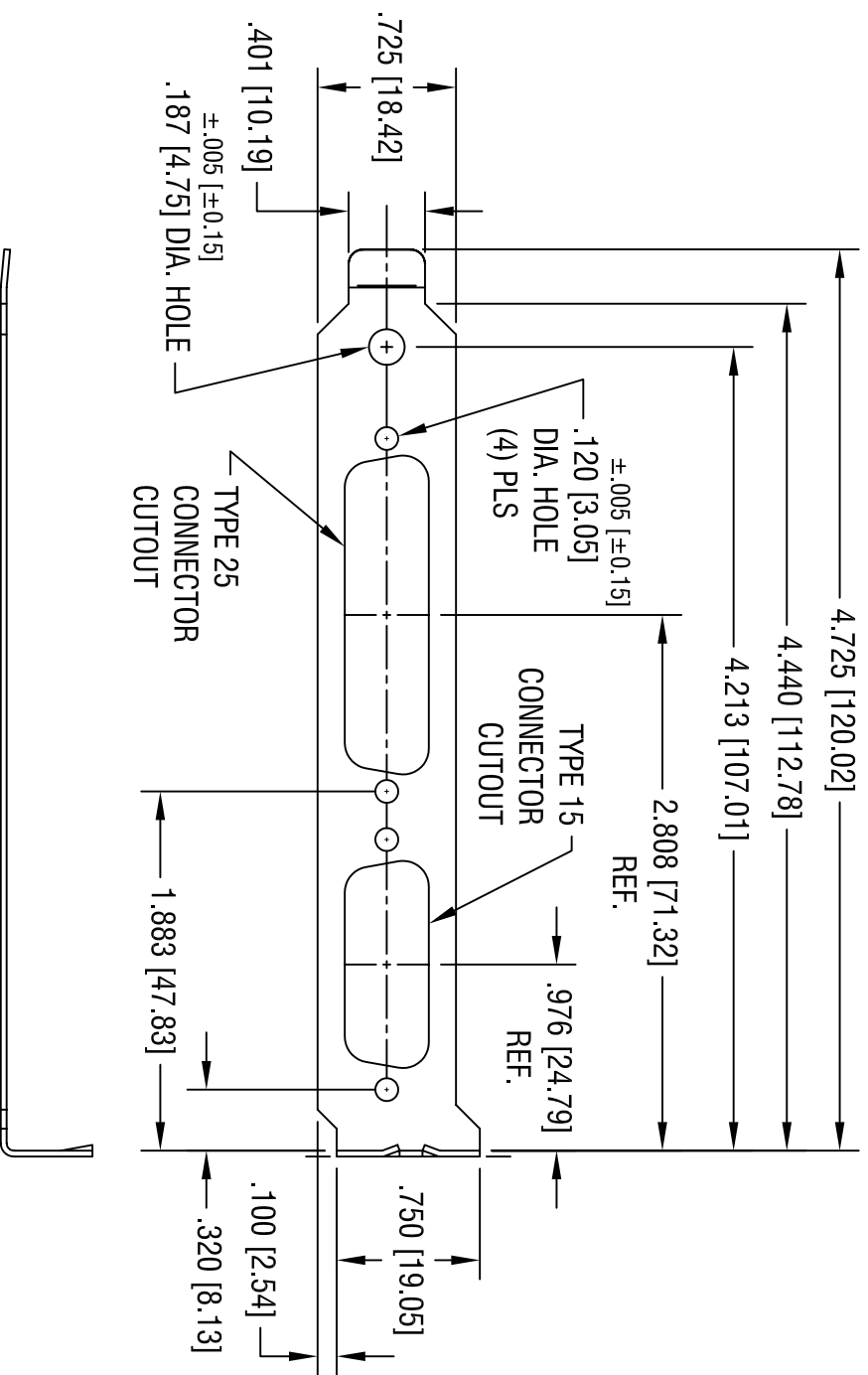


DATE	DESCRIPTION	REV.
11.17.06	CHANGE AS PER ECN 06-080	A



<b>KEYSTONE ELECTRONICS CORP.</b>			
ASTORIA, N.Y. 11105-2017			
PART NAME		COMPUTER BRACKET	
MATERIAL .032 [0.81] THK STEEL			
FINISH NICKEL PLATE		DRN BY BOONE	DATE 2.5.04
TOLERANCES		CODE	DWG NO.
DECIMAL	± .015 [± 0.38]	C	9200-13
ANGULAR	± 1°		
UNLESS OTHERWISE SPECIFIED			

THIS DOCUMENT IS THE PROPERTY OF KEYSTONE ELECTRONICS CORP. AND SHALL NOT BE REPRODUCED, DISTRIBUTED OR USED AS A BASIS FOR MANUFACTURE WITHOUT PRIOR WRITTEN PERMISSION FROM KEYSTONE ELECTRONICS CORP.