

SMD SHIELDED POWER INDUCTOR



6.7 x 6.7 x 3mm

ASPI - 0602S



RoHS
Compliant

FEATURES:

- Compact size: 6.7X6.7X3.0mm
- Magnetically shielded, surface mount inductor
- Large DC current & low DC resistance

APPLICATIONS:

- Excellent for power line DC-DC
- Conversion applications used in hard disk notebook computers and other electronic equipment .

ELECTRICAL SPECIFICATIONS:

ABRACON P/N: **ASPI-0602S-xxx**
 Operating Temperature: **-40°C to +85°C**
 Storage Temperature: **-40°C to +85°C, 70% RH max.**

| Part Number ASPI-0602S- | L (μH) ±20% | DCR (Ω) Max | I _{DC} (A) Max |
|----------------------------|----------------|----------------|----------------------------|
| 3R3 | 3.3 | 0.040 | 3.00 |
| 3R0 | 3.0 | 0.024 | 3.00 |
| 3R9 | 3.9 | 0.027 | 2.60 |
| 5R0 | 5.0 | 0.031 | 2.40 |
| 6R0 | 6.0 | 0.035 | 2.25 |
| 7R3 | 7.3 | 0.054 | 2.10 |
| 8R6 | 8.6 | 0.058 | 1.85 |
| 100 | 10 | 0.065 | 1.70 |
| 120 | 12 | 0.070 | 1.55 |
| 150 | 15 | 0.084 | 1.40 |
| 180 | 18 | 0.095 | 1.32 |
| 220 | 22 | 0.128 | 1.20 |
| 270 | 27 | 0.142 | 1.05 |
| 330 | 33 | 0.165 | 0.97 |
| 390 | 39 | 0.210 | 0.86 |
| 470 | 47 | 0.238 | 0.80 |
| 560 | 56 | 0.277 | 0.73 |
| 680 | 68 | 0.304 | 0.65 |
| 820 | 82 | 0.390 | 0.60 |
| 101 | 100 | 0.535 | 0.54 |

NOTE

Testing Condition:
 10KHz, 0.25V
 IDC: Inductance decreases to 65% of initial value or Δ T
 of coil increased by 30°C

TEST EQUIPMENT

AGILENT 4294A Precision Impedance Analyzer
 ZENTECH 3302 Automatic Components Analyzer
 ZENTECH 1320 BIAS CURRENT
 ZENTECH 502AC Resistance Meter

OPTIONS AND PART IDENTIFICATION:

ASPI - 0602S - □□□ □ - □

Inductance Code
 Please refer to the
 Tables above.

Tolerance

| | |
|---|------|
| M | ±20% |
|---|------|

Packaging

| | |
|---|------------------|
| T | Tape and Reel |
|---|------------------|



SMD SHIELDED POWER INDUCTOR



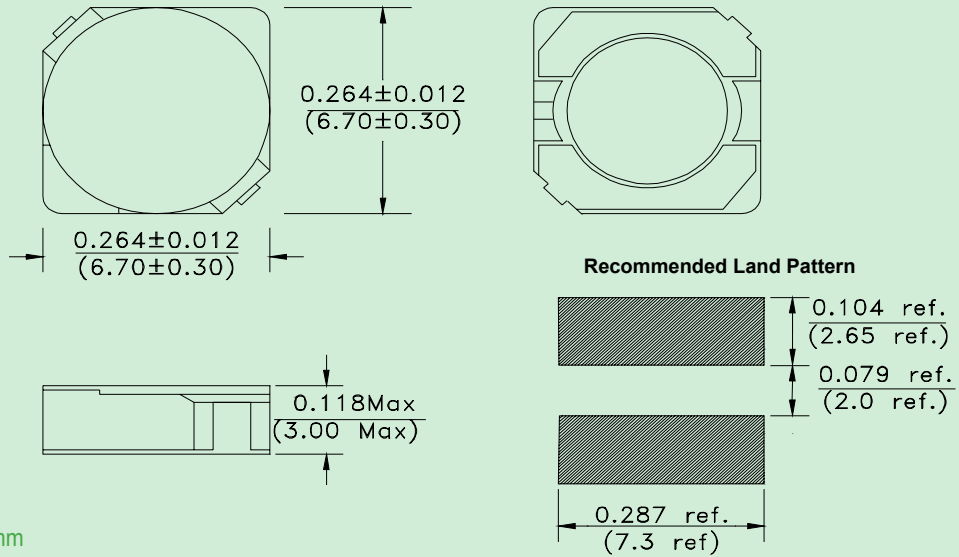
6.7 x 6.7 x 3mm

ASPI - 0602S



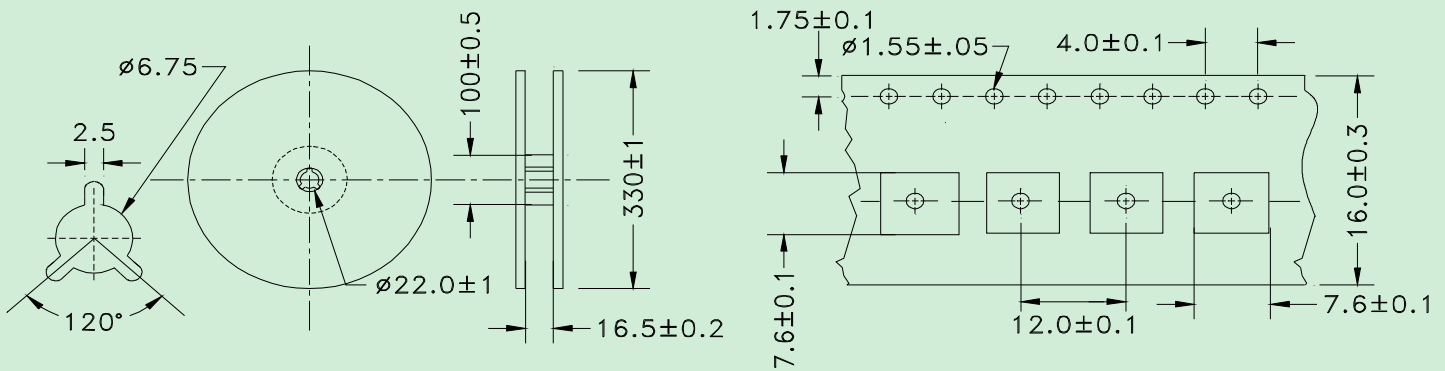
RoHS
Compliant

OUTLINE DRAWING:



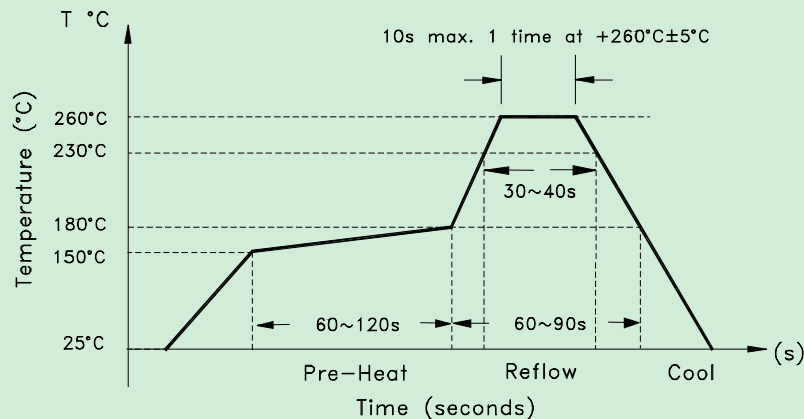
Dimension : Inches/mm

TAPE & REEL: Tape and reel 1,000pcs/reel



Dimensions: mm

REFLOW PROFILE:



ABRACON IS
ISO 9001 / QS 9000
CERTIFIED



Visit www.abracon.com for Terms & Conditions of Sale **Revised: 06.29.09**
30332 Esperanza, Rancho Santa Margarita, California 92688
tel 949-546-8000 | fax 949-546-8001 | www.abracon.com