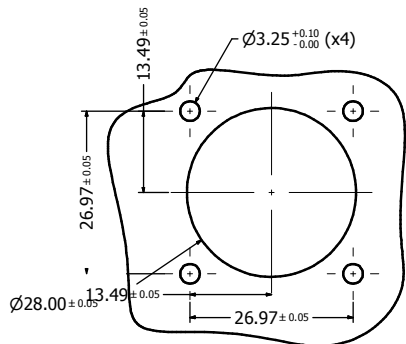
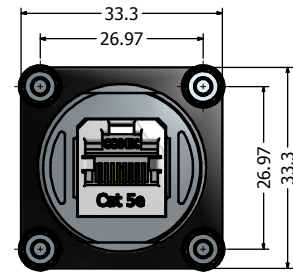
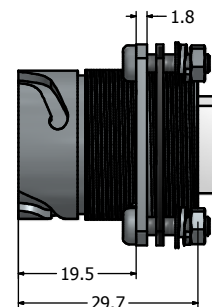
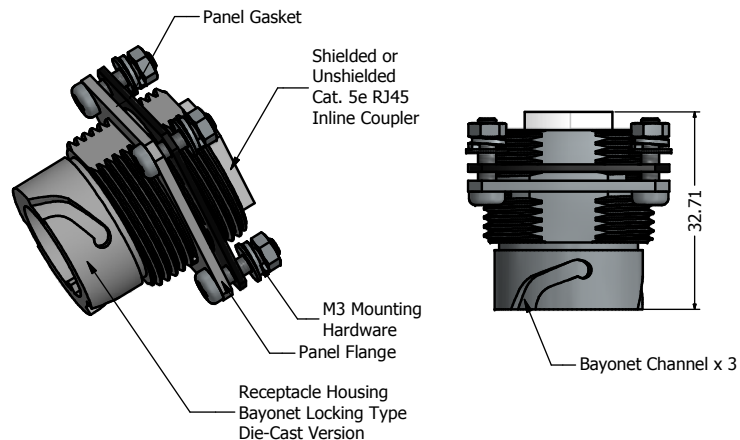


Recommended Double-D Panel Cutout



Recommended Round Panel Cutout



Notes:

- Electrical Specifications:
 - Meets EIA/TIA-568-B.2 Cat.5e Specification
 - Contact Resistance: 20 mOhm max.
 - Insulation Resistance: 500MOhm min. @ 100 VDC
 - Current Rating: 1.2A max. at 25° C
 - Working Voltage: 100 VDC
 - DWV: 1000 VDC/60s Contact to Contact, 1500 VDC/60s Contact to Metal Shell
 - Operating Temperature: -40° C to +85° C
- Material and Finish:
 - Receptacle Housing & Protective Cover: Die-Cast, Nickel Plated includes 4 x (screw + nut + flat washer + spring lock washer)
 - Cover Gasket: Silicon, Color: White
 - Ball Chain Assembly, Copper Alloy and Stainless steel, Nickel Plated
 - RJ45 Jack Metal Shell: Copper Alloy, Nickel Plated
 - RJ45 Jack Plastic Housing: Glass filled PBT UL94 V-0, Color: Black
 - RJ45 Jack Contacts: Phosphor Bronze, Finish: 50u" Gold min. over Nickel
 - Panel Gasket: NBR, Color: Black
 - M3 Mounting Hardware: Stainless Steel Includes 4 x (Screw + Nut + Flat Washer + Spring Lock Washer)
- Connector can be front or rear mounted to a maximum panel thickness of 3.2mm.
- IP67 rated when covered or fully mated with the appropriate mating connector
- Hardware shipped unassembled
- Recommended mounting torque is 12 to 14 lb-inch

Description	Part Number
Nickel Plated Zinc Die-Cast with Shielded Cat5e Coupler + Cover Assembly	17-110234
Nickel Plated Zinc Die-Cast with Unshielded Cat5e RJ45 Coupler + Cover Assembly	17-110244

Directive 2002/95/EC RoHS Compliant

THIS DRAWING MAY NOT BE COPIED OR REPRODUCED IN ANY WAY AND MAY NOT BE PASSED ON TO A THIRD PARTY WITHOUT WRITTEN PERMISSION. OWNERSHIP AND COPYRIGHT OF CONEC CORPORATION.	Customer:		Tolerance Unless otherwise specified			Scale:	Dim. in mm
	Name	Title	Approval Date	0 PLC ±0.30 1 PLC ±0.20 2 PLC ±0.10 3 PLC ±0.05 ANGLES ±1°		Autodesk Inventor	Material: See Notes
				2012	Date	Name	IP67 Cat. 5e RJ45 Inline Coupler Receptacle (with Flange) + Cover Kit Nickel Plated Zinc Die-Cast Version
				Draw.	Sept. 27	Vincent Ke	
			Appd.	Sept. 27	J. Chaudry	Drawing No.: 17K1A353	DIN A3
				Norm		Part No.: SEE PART NUMBER TABLE	Sheet 1/1
				D-old			
	a	original					
	Rev.	Changes	Date	Name	CONEC		