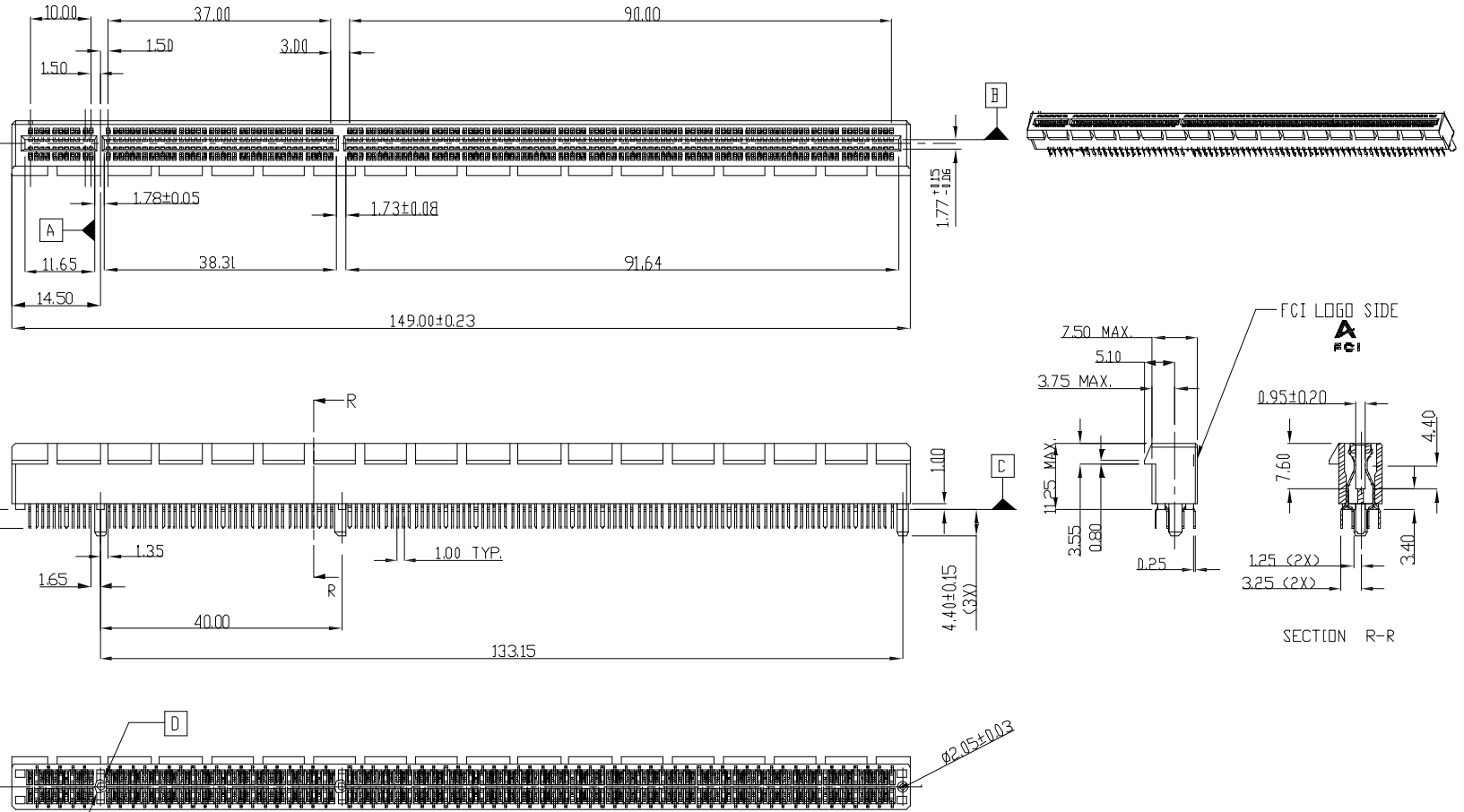

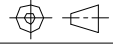
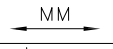
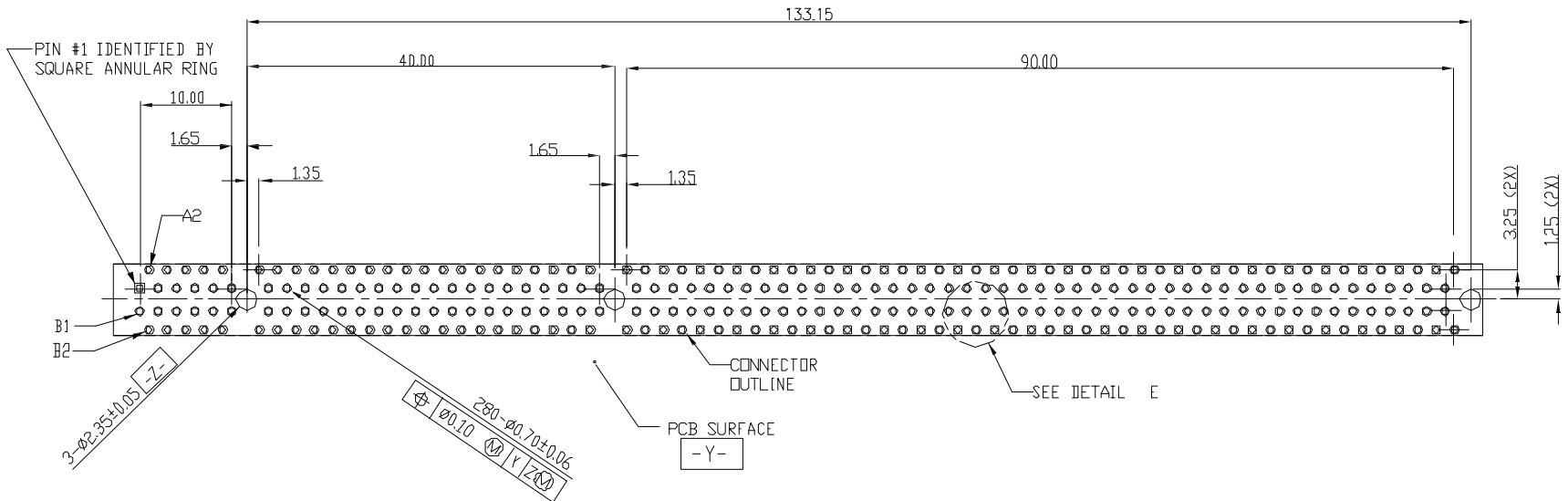


PROD NO
SEE NOTE

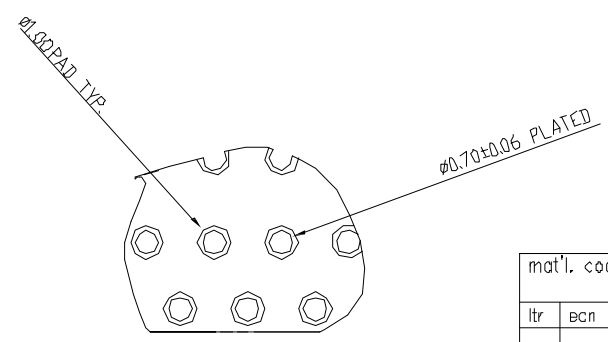


mat'l. code				tolerances unless otherwise specified				CUSTOMER COPY		 www.fciconnect.com	
ltr	ecn no	dr	date	linear	.X ±.38				projection	title	
A	TC5-D240	J.H	0/22/09		.XX ±.25					PCI-E 280P CARD EDGE GEN3	
B	TC6-D013	J.H	1/16/06		.XXX ±.10						
C	ELX-DG-2161-1	S T	05/27/15	angles	Ø° ±2°						
				dr	STONE LI	05/27/15	MM		product family PCI		
				enrg	STONE LI	05/27/15	←		size dwg no		
				chr	/	/	→		code		
				appd	PM ZHENG	05/27/15	scale N/A		sheet 1 of 4		
sheet	revision	C	C	C	C						
index	sheet	1	2	3	4						

cage code
22526



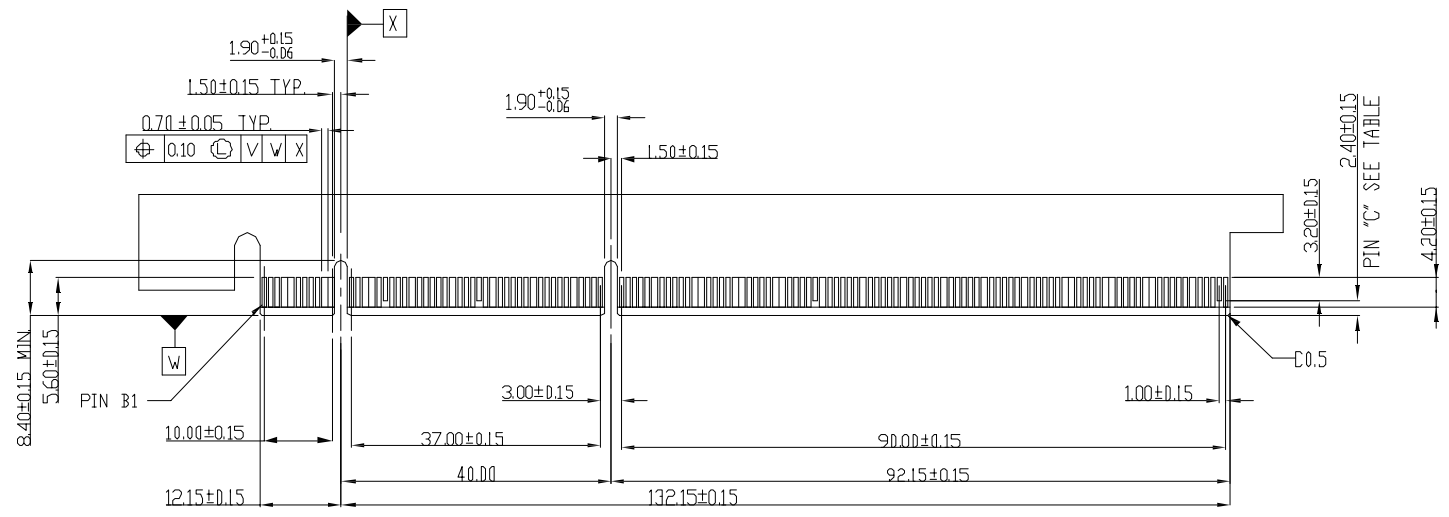
RECOMMENDED FOOTPRINT



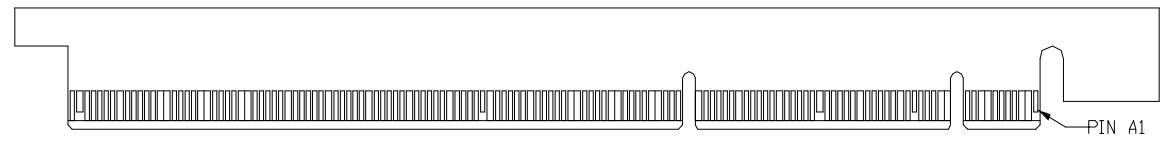
DETAIL E
SCALE 5X

mat'l. code				tolerances unless otherwise specified				CUSTOMER COPY		 www.fciconnect.com	
ltr	ecn	na	dr	date	linear	.X ±.38	projection	title			
						.XX ±.25	 MM	PCI-E 280P CARD EDGE GEN3		code	
					angles	.XXX ±.10		product family		-	
					dr	STONE LI 05/27/15	scale	PCI		sheet	
					engr	STONE LI 05/27/15		size		2 of 4	
					chr	/		A4		10057596	
					appd	PM ZHENG 05/27/15	N/A	10057596			
sheet index	revision sheet							cage code		4	

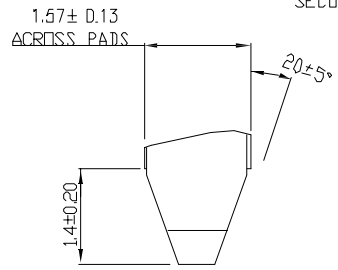
cage code
22526



← I/O PANEL DIRECTION
PRIMARY (COMPONENT) SIDE



I/O PANEL → DIRECTION
DAUGHTER CARD
SECONDARY (SOLDER) SIDE



DETAIL F
SCALE 10X

PIN "C"	A1	A17	A31	A79	A139
	B17	B31	B79	B139	

mat'l. code				tolerances unless otherwise specified		CUSTOMER COPY	 www.fciconnect.com
ltr	ecn no	dr	date	linear	.X ±.3B		
					.XX ±.25		PCI-E 280P CARD EDGE GEN3
				angles	.XXX ±.10		product family
				dr	0° ±2°	size	PCI
				engr		scale	code
				chr	dr STONE LI 05/27/15	MM	—
				appd	engr STONE LI 05/27/15	N/A	size
					chr /	A4	10057596
					appd PM ZHENG 05/27/15		sheet
sheet index	revision sheet						3 of 4

cage code
22526

NOTES:

1.MATERIAL:

HOUSING: THERMOPLASTIC WITH GLASS FIBER, UL94V-0, COLOR IN BLACK.

CONTACTS: COPPER ALLOY.

2.FINISH:

CONTACTS: GOLD PLATING ON CONTACT AREA, 100u*MIN. TIN/LEAD OR MATTE TIN (LEAD FREE OPTION) PLATING ON SOLDER TAILS, 50u*MIN. NICKEL UNDERPLATING OVER ALL.

3. DURABILITY: 50 CYCLES.

4. RoHS COMPATIBLE PRODUCT SPECIFICATIONS

a. PLATING: "LF" MEANS THE PRODUCT IS LEAD FREE, 2.5um min. MATTE PURE TIN OVER 1.27um MIN. NICKEL UNDERPLATE.

b. MANUFACTURING PROCESS COMPATIBILITY: THE HOUSING WILL WITHSTAND EXPOSURE TO 260C*±5C* SOLDER BATH TEMPERATURE FOR 5 SECONDS IN A WAVE SOLDER APPLICATION WITH A 1.57MM THICK CIRCUIT BOARD.

PRODUCT NUMBER CODE
10057596 - X X X X X X X X

HOUSING COLOR OPTIONS
1-BLACK

PEGS OPTIONS
0-PLASTIC PEGS

TERMINAL PLATING OPTIONS
0-50u" Ni UNDERPLATE
30u" Au CONTACT AREA
100u" TIN TAIL AREA -----COMPATIBLE RoHS
1-50u" Ni UNDERPLATE
15u" Au CONTACT AREA
100u" TIN TAIL AREA -----COMPATIBLE RoHS
2-50u" Ni UNDERPLATE
GOLD FLASH CONTACT AREA
100u" TIN TAIL AREA -----COMPATIBLE RoHS


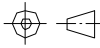

LEAD FREE

PACKAGING OPTIONS
T-TRAY PACKAGING

RESERVE
0

TAIL LENGTH OPTIONS

	DIM "D"	SUGGESTED PCB THICKNESS
1	3.10	2.36±0.10
2	2.54	1.56±0.10

mat'l. code				tolerances unless otherwise specified			CUSTOMER COPY		 www.fciconnect.com	
ltr	ecn no	dr	date	linear	.X ±.38	projection		title		
					.XX ±.25			PCI-E 280P CARD EDGE GEN3		
					.XXX ±.10					
				angles	0° ±2°			product family		code
				dr	STONE LI 05/27/15	MM		PCI		-
				enfr	STONE LI 05/27/15	scale		size	dwg no	sheet
				chr	/ /	N/A		A4	10057596	4 of 4
				appd	PM ZHENG 05/27/15					
sheet index	revision sheet									

cage code
22526