

Steward

Advanced Ferrite Materials, EMI Suppression, and Inductive Products

Home • Ferrite Product Lines • New Products • Technical • General • Contact • Steward Sales

HZ0603B112R-00

STEWARD PART NUMBERING SYSTEM						
HF	1206	J	150	R	-	00
PRODUCT SERIES CODE	PART SIZE CODE	RATED CURRENT CODE	IMPEDANCE VALUE CODE	PACKAGING CODE	ADDITIONAL DESCRIPTION	

Ambient Operating Temperature Range : -55°C to + 125°C

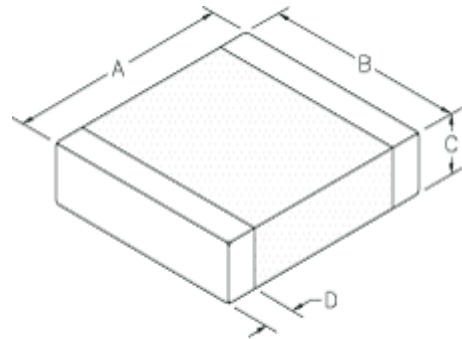


Figure #1

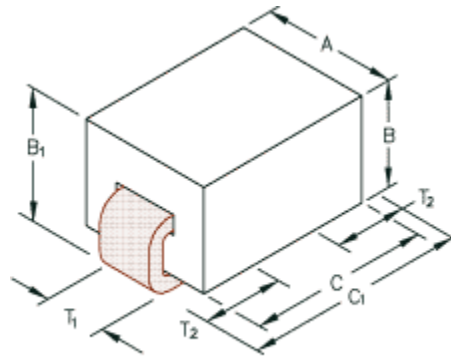


FIGURE #2

Drawing Figure

Figure Number
1

Electrical Characteristics

NET Z	DCR	Rated Current	NET Z @ 300 MHz	NET Z @ 300 MHz	NET @ 300 MHz
-------	-----	------------------	-----------------------	--------------------	---------------------

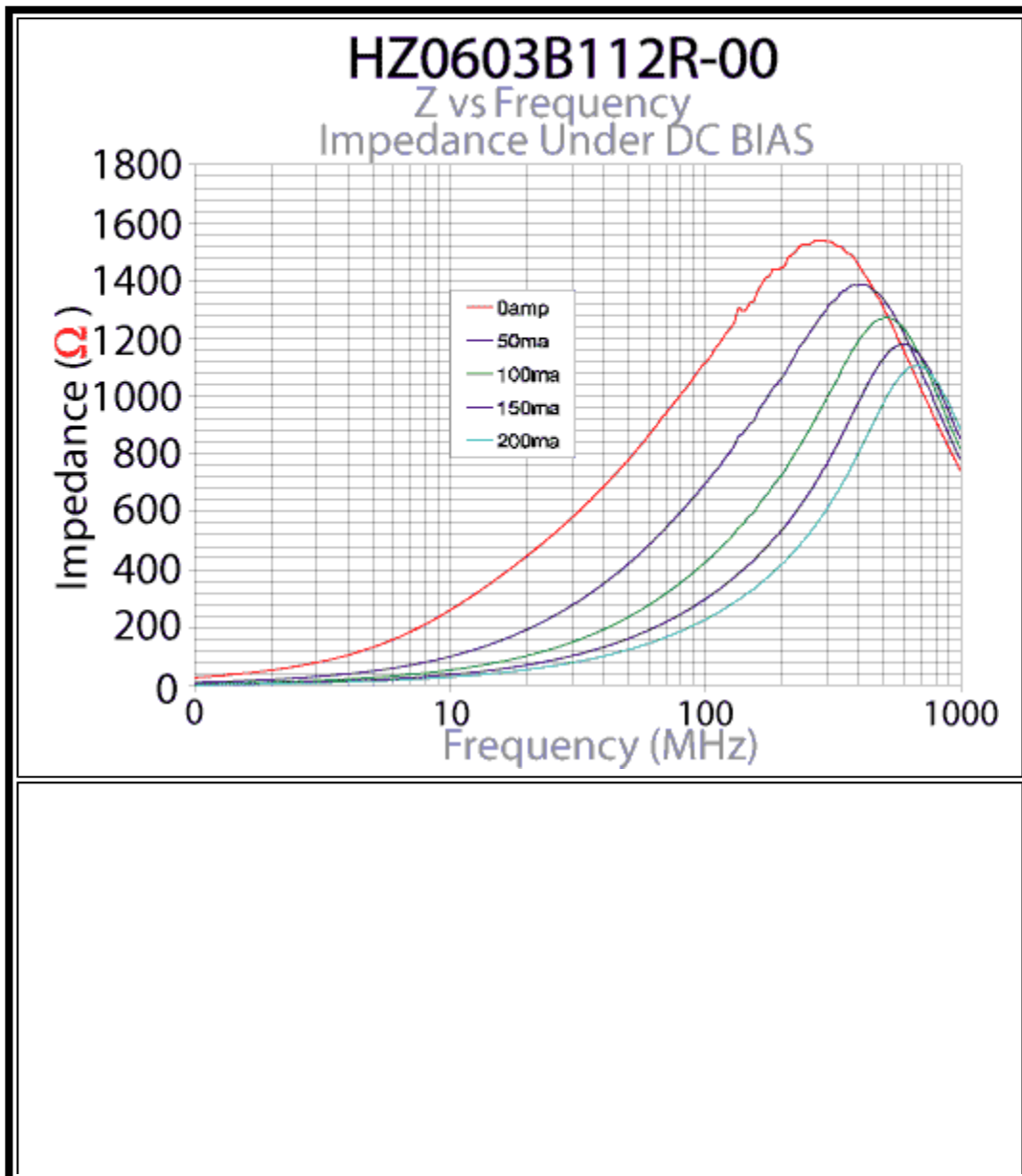
@ 100 MHz	Max	mA	min	nom	max
1100	0.80	200	0	0	0

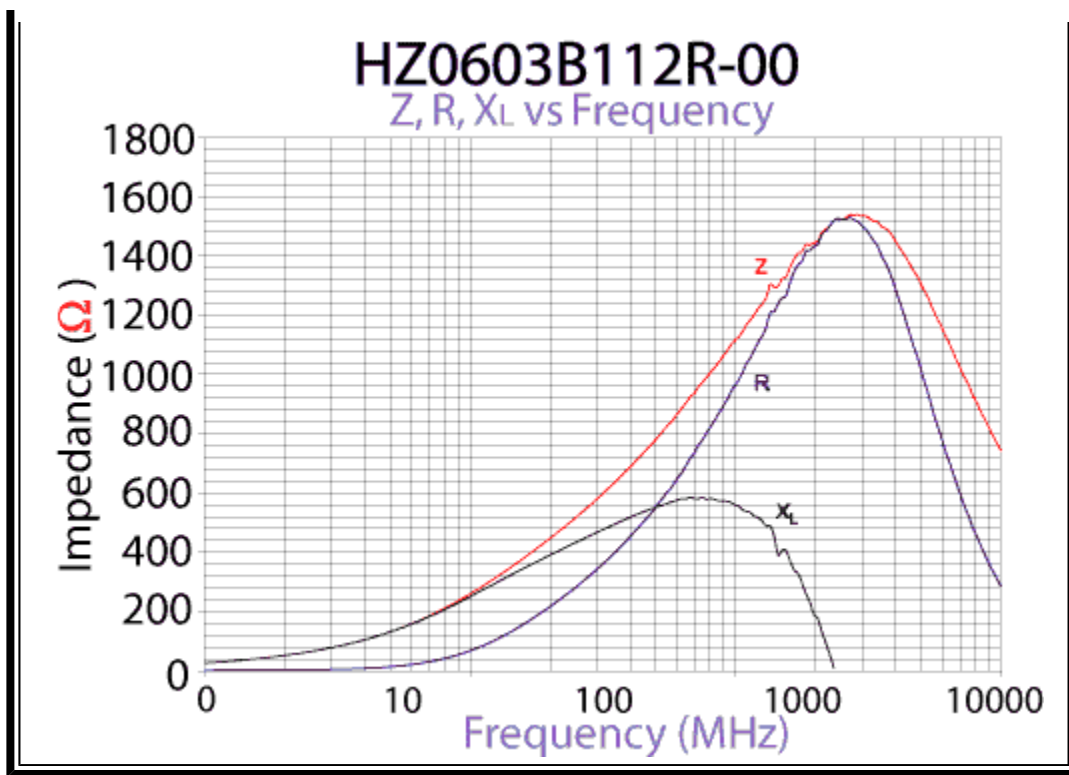
Physical Dimensions

A	B	B1	C	C1	D	A	B	B1	C	C1	D
mm	mm	mm	mm	mm	mm	in	in	in	in	in	in
1.60	0.80	0	0.80	0	0.36	0.063	0.031	0	0.031	0	0.014

Wire Dimensions

T1 mm	T2 mm	T1 in	T2 in
0	0	0	0





Specifications, which provide more details for the correct use of the described products, are available upon request. All specifications are subject to change without notice. For more information on any of the products listed above, please contact Steward customer service department at (800) 634-2673.

americas@steward.com

mexico@steward.com

europa@steward.com

asia@steward.com

Copyright© 2004 Steward, Inc.

Last Updated: 2/19/2004