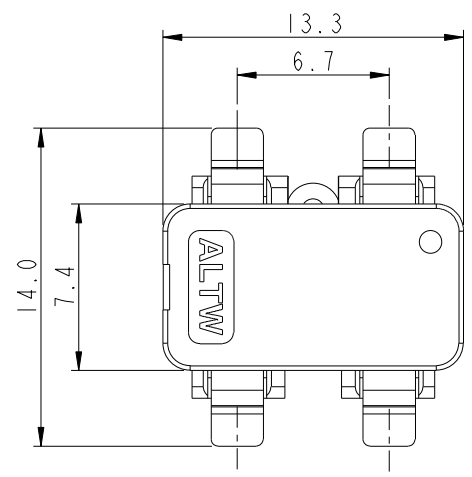
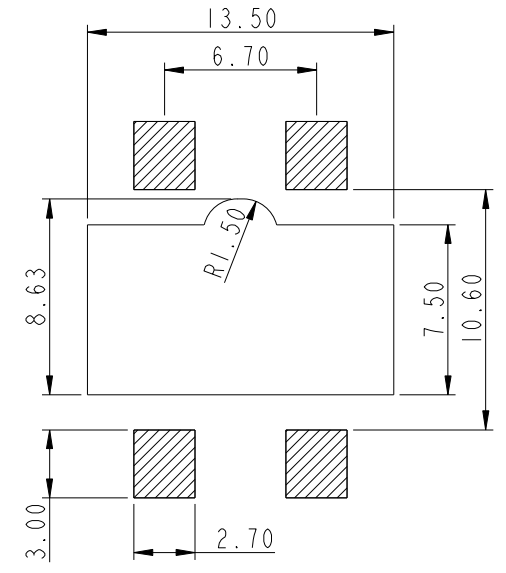
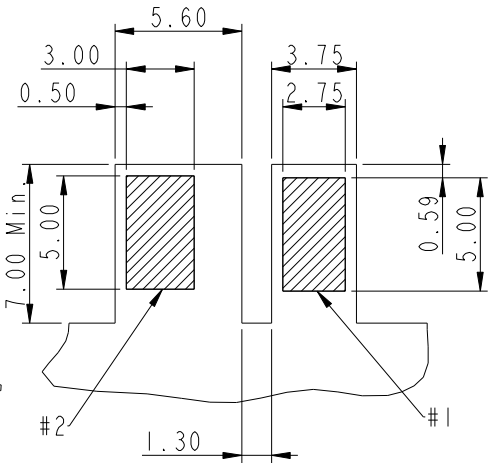


THIS DOCUMENT IS SUBJECT TO CHANGE WITHOUT NOTICE. IT IS CONFIDENTIAL AND A PROPERTY OF Amphenol LTW. DISCLOSURE TO THIRD PARTY HAS TO BE AUTHORIZED BY Amphenol LTW.

REV.	ECN NO.	DATE	SIGN	DESCRIPTION
A	Initial Release	2014-04-10	Fisher	Initial Release

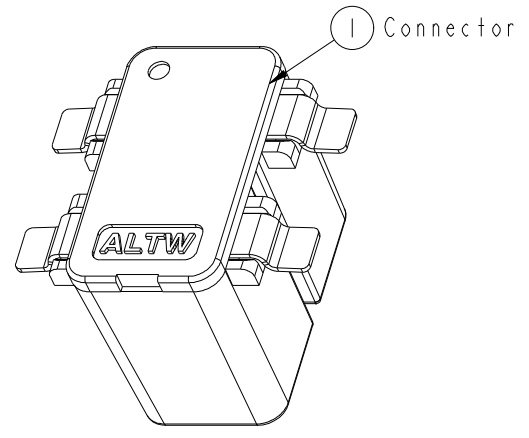
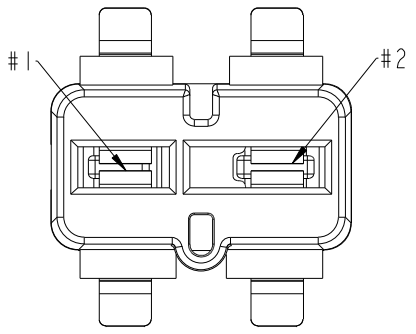
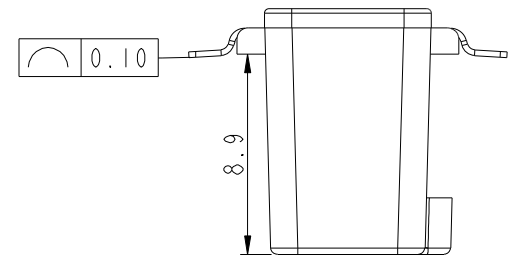
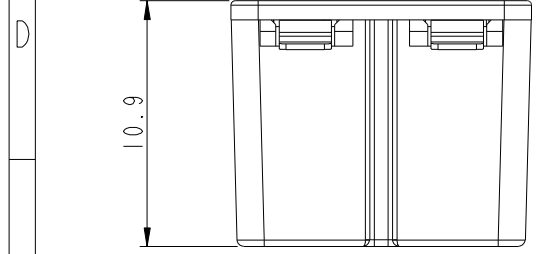


ALTW
 CONFIDENTIAL
 2014-04-10
 R&D DEPT.



Recommended PCB Layout
(For Driver, T= 1.60mm)

Recommended PCB Layout
(For LED board)



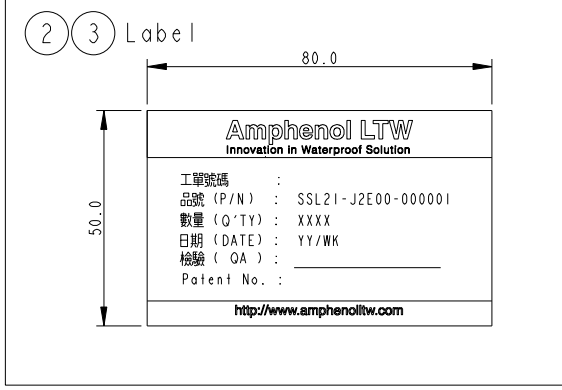
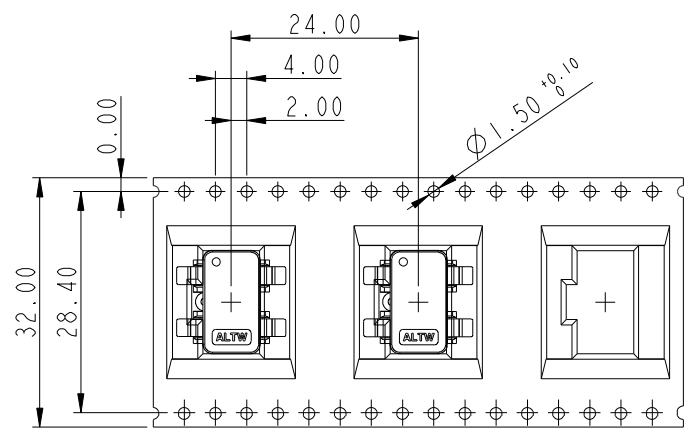
ALTW
 DCC. DEPT.
 CONFIDENTIAL
 2014.04.17
 ISSUED

- Notes
- * (CC) Important Dimension To Check.
 - * Working Voltage: 1000V(max).
 - * Working Current: 12A(max)
 - * Housing: High temperature thermoplastic.
UL94V-0, color is Natural white.
 - * Cover: High temperature thermoplastic.
UL94V-0, color is Natural white.
 - * Terminal: Copper Alloy
Gold Plated on contact area, Nickel Plated overall.

UNIT: mm		TITLE		ITEM NO		DRAWN BY		DATE
		SSL2.1 Inverted Board Connector		SSL21-J2E00-000001		Fisher_Wang		2014-04-10
TOLERANCE		SCALE	SIZE	SHEET	DWG NO	CHECKED BY		DATE
.X ±0.25		3:1	A4	1 OF 2	SSL21-J2E00-000001	Ivan_Lin		2014-04-10
.XX ±0.1		REV.	WC-REV.		CUSTOMER	APPROVED BY		DATE
.XXX ±0.05		A	A.9		ALTW	Kevin_Hu		2014-04-10
ANGLES ±1°				CC: Inspection item				

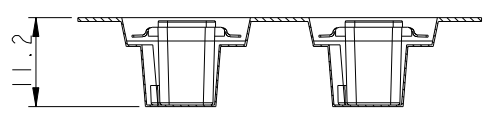
Amphenol LTW
 安費諾亮泰企業股份有限公司

THIS DOCUMENT IS SUBJECT TO CHANGE WITHOUT NOTICE. IT IS CONFIDENTIAL AND A PROPERTY OF Amphenol LTW. DISCLOSURE TO THIRD PARTY HAS TO BE AUTHORIZED BY Amphenol LTW.

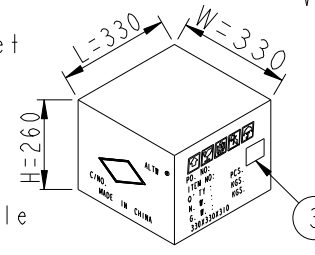
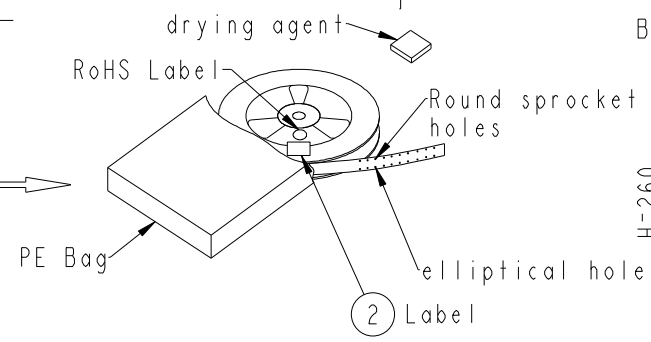
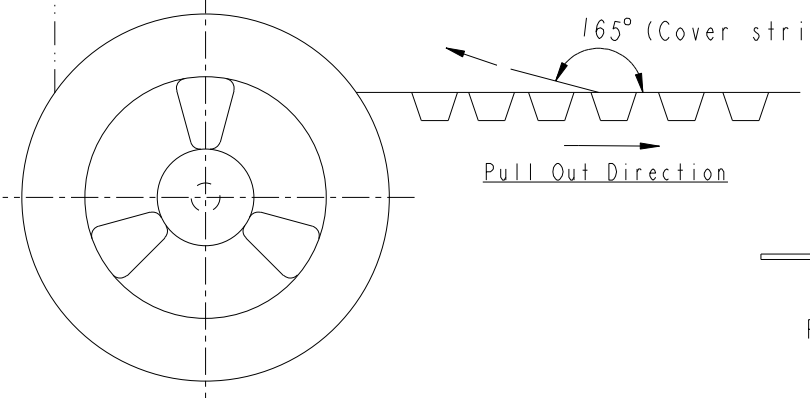
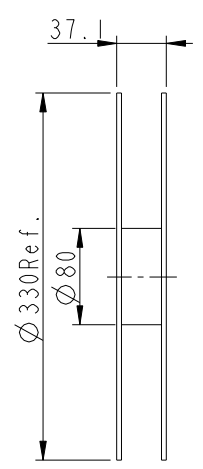
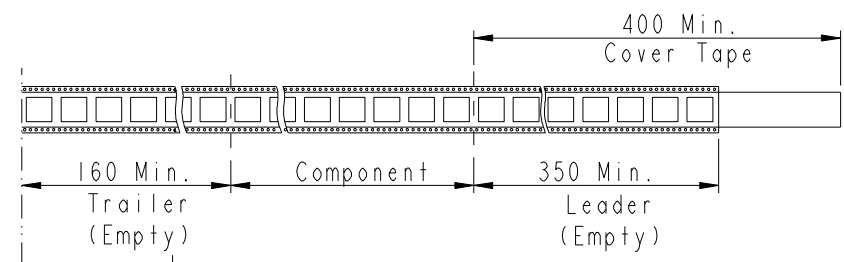
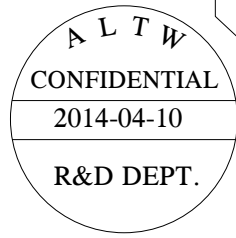
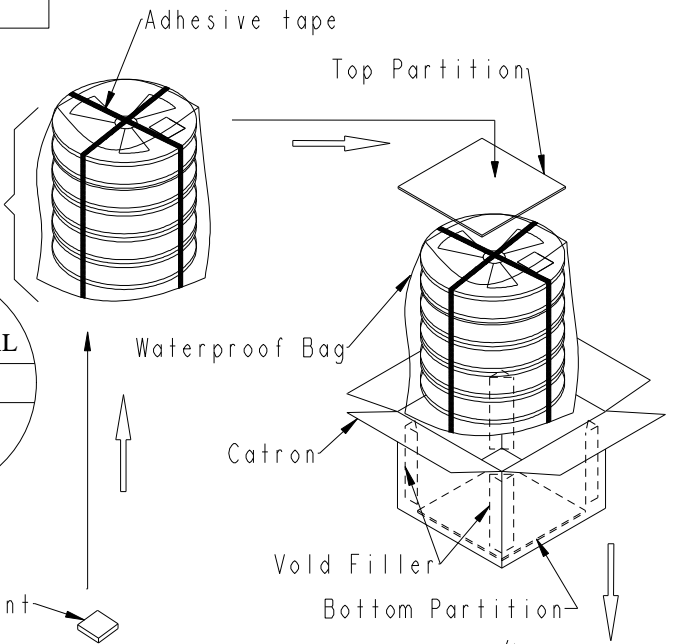


MATERIALS
 *. Carrier Tape: Polystyren (PS)
 *. Cover Tape: Polystyren (PS)

QUANTITY
 *. 250Pcs Per Reel
 *. 6 Reel Per Carton (1500Pcs/Carton)
 *. Reference Standard: EIA-481-D
 *. Cover adhesive force: 30~130g
 *. Net Weight: 2.2Kg/Carton.
 *. Gross Weight: 6.2Kg/Carton.



Six reel into waterproof bag



UNIT: mm		
TOLERANCE	.X ±0.25	
	.XX ±0.1	
	.XXX ±0.05	
ANGLES	±1°	

TITLE SSL2.1 Tape Reel Package		
SCALE 3:1	SIZE A4	SHEET 2 OF 2
REV. A	WC-REV. A.10	QC: Inspection item

Amphenol LTW
 安費諾亮泰企業股份有限公司

ITEM NO. SSL21-J2E00-000001	DRAWN BY Fisher_Wang	DATE 2014-04-10
DWG NO. SSL21-J2E00-000001	CHECKED BY Ivan_Lin	DATE 2014-04-10
CUSTOMER ALTW	APPROVED BY Kevin_Hu	DATE 2014-04-10

DATE 2014-04-10	DATE 2014-04-10	DATE 2014-04-10
--------------------	--------------------	--------------------