



# PRODUCT DATASHEET

## Larisa series

last update 9/12/2016

### DETAILS

<b>Product Number</b>	CP13667_LARISA-RZ-CLIP16
<b>Family</b>	Larisa
<b>Type</b>	Assembly
<b>Color</b>	black
<b>Diameter</b>	9,9x9,9 mm
<b>Height</b>	7,5 mm
<b>Style</b>	square
<b>Optic Material</b>	PMMA
<b>Holder Material</b>	
<b>Fastening</b>	clips
<b>Status</b>	production ready
<b>ROHS Compliant</b>	Yes
<b>Date Updated</b>	9/12/2016



### OPTICAL PROPERTIES

LED	Viewing Angle	Light Beam	Efficiency	cd/lm	Connector
NF2x757A	30 deg	Medium	77 %	1.900	-

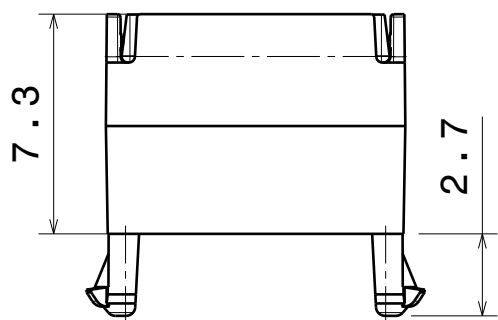
D

C

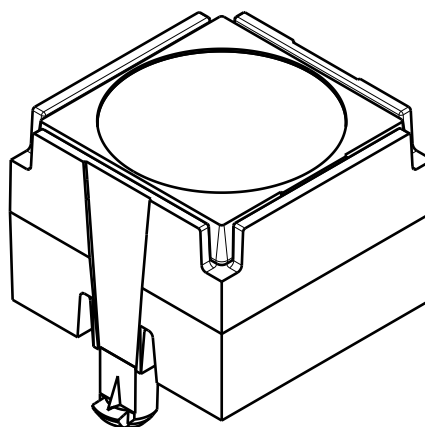
B

A

4



Front view

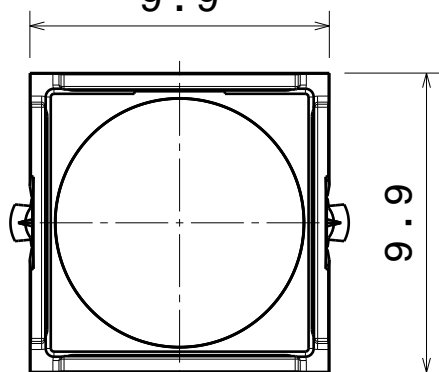


Isometric view

Scale: 4:1

3

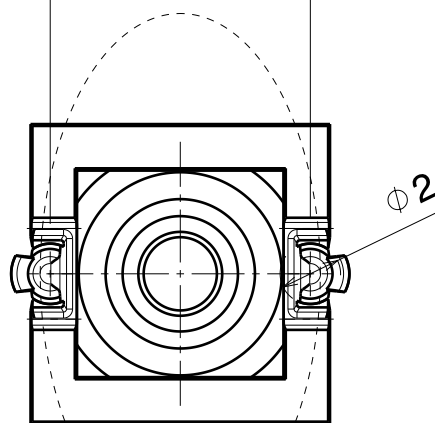
9.9



Top view

8.6

c / c



Bottom view

Oval beam direction

2

2

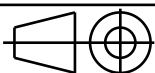
INDEX	PART NO	DESCRIPTION	MATERIAL	COLOUR
1	-	LARISA lens	PMMA	
2	C13124	LARISA-HLD-B-CLIP16	PC	black

Tolerances if not otherwise shown  
According to DIN ISO 2768-1  
Linear measures:  
Up to 30mm class M, otherwise class C.  
According to DIN ISO 2768-2  
Form and position: class L

LEDiL

Ledil Oy  
Salorankatu 10  
FIN 24240 SALO  
Finland

THIRD ANGLE PROJECTION:



DRAWING TITLE

LARISA-CLIP16-B

This drawing is the property  
of LEDiL Oy. It may not be  
reproduced, copied or  
communicated without a written  
agreement with LEDiL Oy.

SIZE PART NUMBER

A4

-

SCALE

4:1

WEIGHT

0,6 g

SHEET

1/1

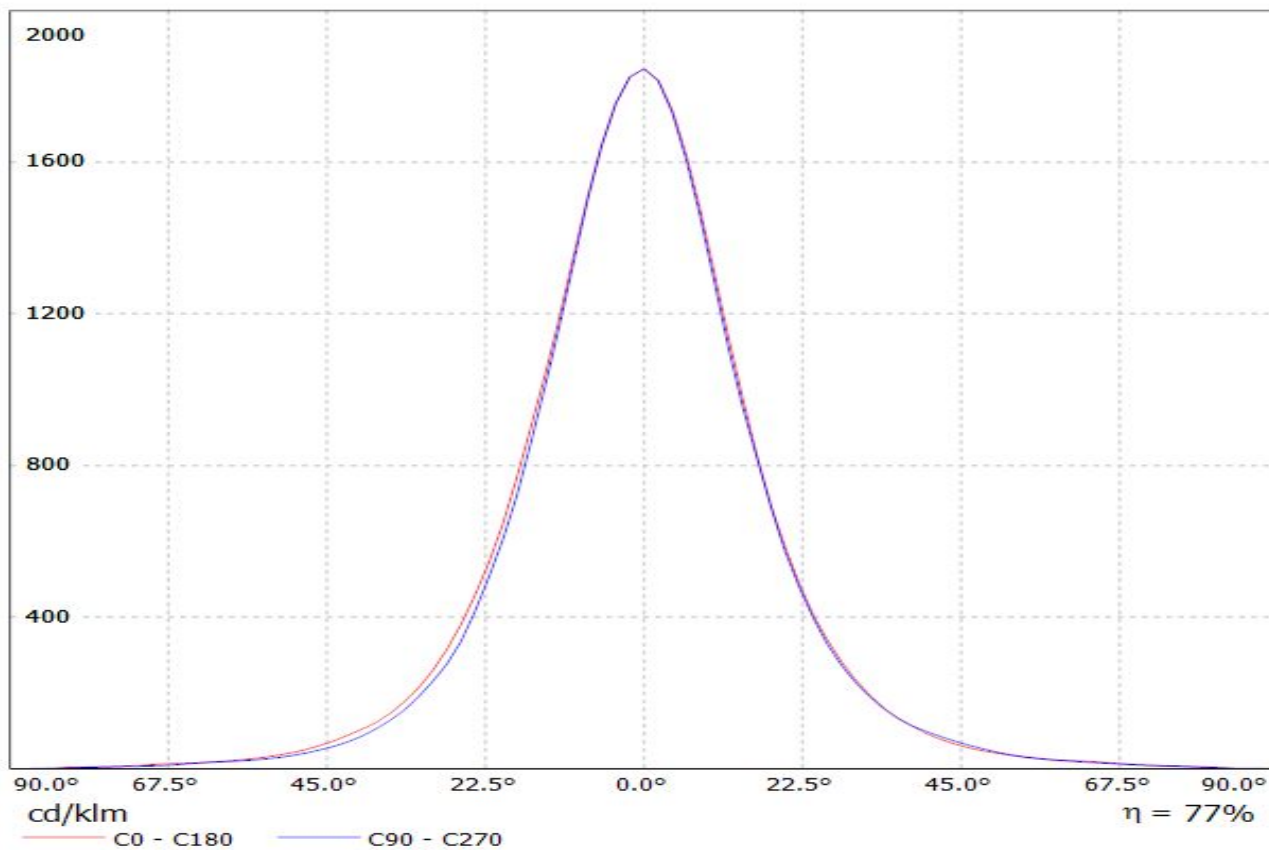
1

1

D

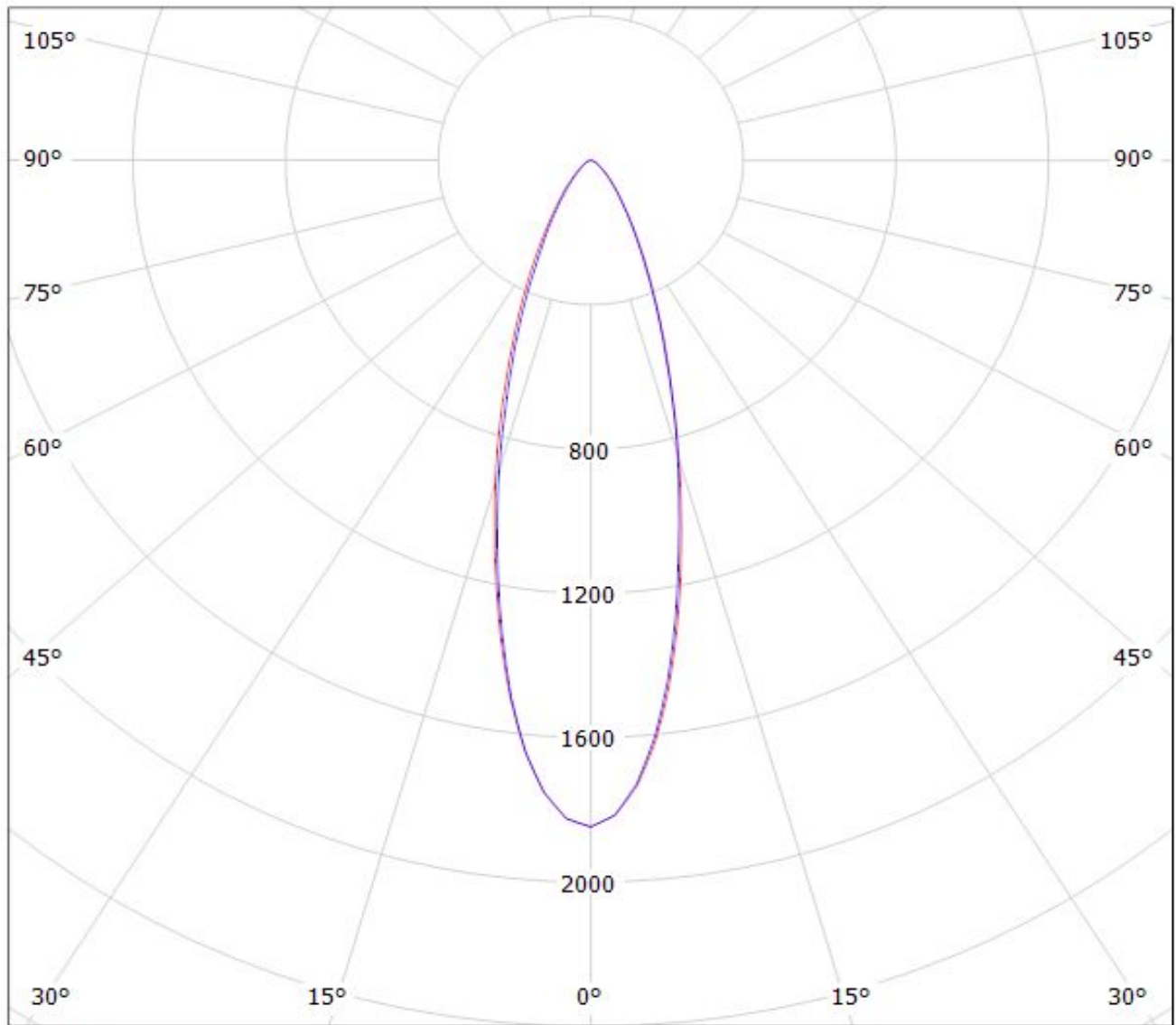
A

Luminaire: Ledil Oy CP13667\_LARISA-RZ-CLIP16 Eff. 77%  
Lamps: 1 x Nichia NF2x757 (67lm@100mA)



Luminaire: Ledil Oy CP13667\_LARISA-RZ-CLIP16 Eff. 77%

Lamps: 1 x Nichia NF2x757 (67lm@100mA)



cd/klm

$\eta = 77\%$

— C0 - C180

— C90 - C270

**NOTE: The typical divergence will be changed by different color, chip size and chip position tolerance. The typical total divergence is the full angle measured where the luminous intensity is half of the peak value.**