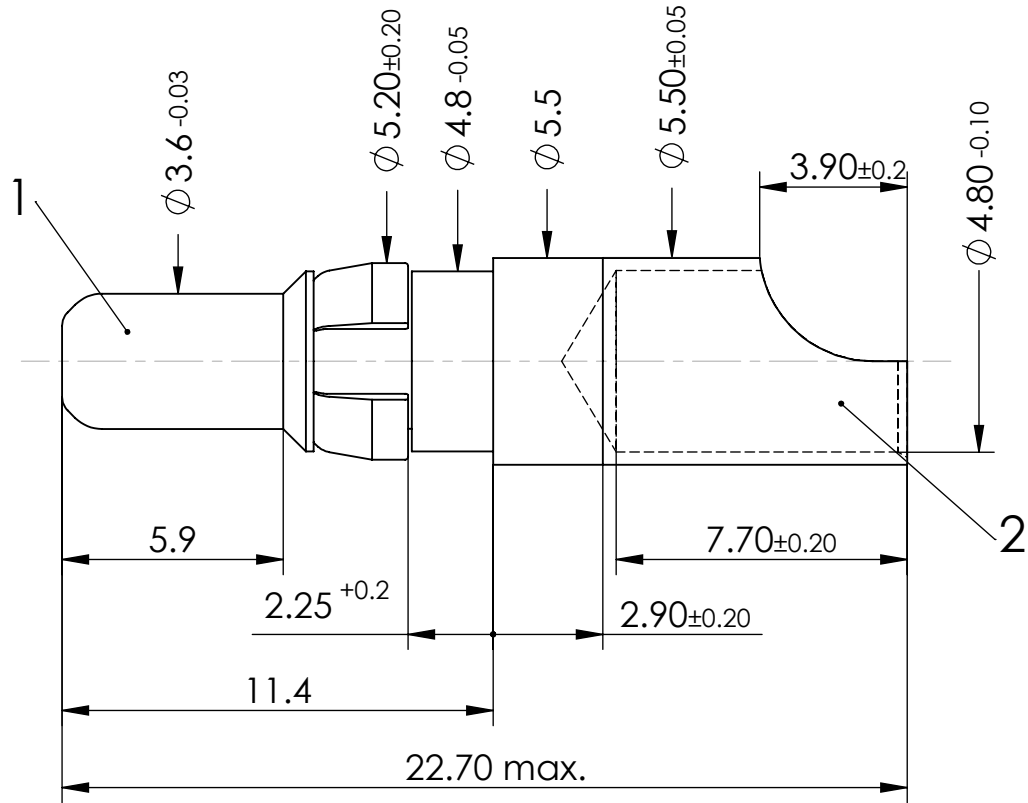
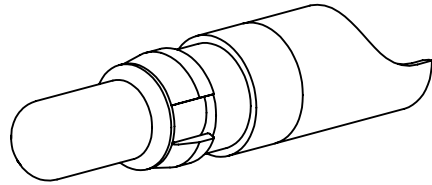


COMMENT:
 ALL RIGHTS ARE RESERVED BY US FOR THIS DRAWING. WITHOUT OUR PRIOR CONSENT,
 IT MAY NEITHER BE DUPLICATED NOR MADE AVAILABLE TO A THIRD PARTY,
 AND IT ALSO MAY NOT BE IMPROPERLY USED BY THE RECEIVER, OR A THIRD PARTY.



CURRENT	40 A	HIGH POWER CONTACT	SCALE 5:1	DATA SHEET	①
FOR	D-Sub				②
DIMENSIONS IN MM		DRAWN	NAME / DATE D. Bocan 02-04-2003		
MATERIAL + FINISH SEE EXTRA SHEET		CHECKED	MTeubel 31-05-2006		
UNLESS OTHERWISE SPECIFIED DIMENSIONS FOR REFERENCE ONLY		FCT a molex company		PART NO. FMP007P	REV. 2
2	01-08-2006	11330			
REV.	DATE	INDEX	ORIGINAL: DIN A4-DRAWING AS A FILE	REPLACEMENT FOR:	PAGE: 1/1