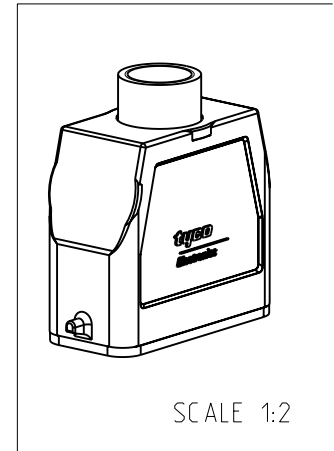
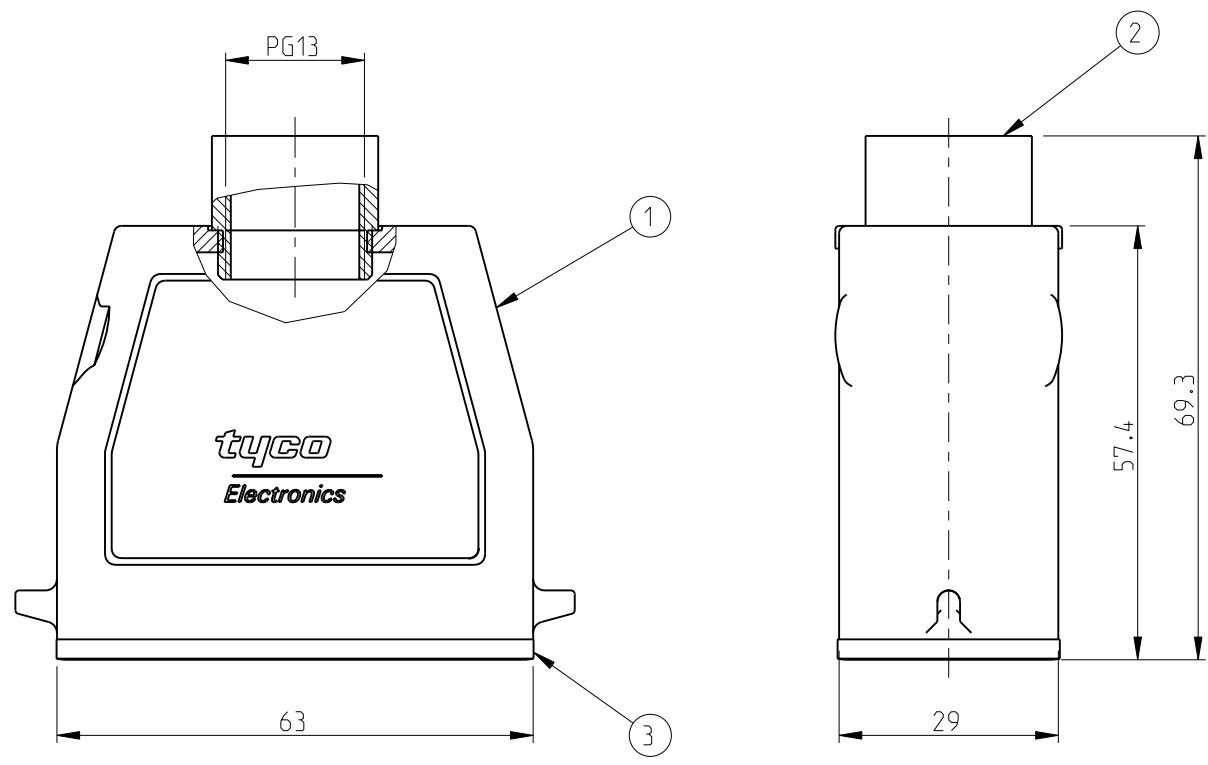


THIS DRAWING IS UNPUBLISHED. RELEASED FOR PUBLICATION 2000
 © COPYRIGHT 2000 BY TYCO ELECTRONICS CORPORATION. ALL RIGHTS RESERVED.

LOC	DIST	REVISIONS				
P	LTR	DESCRIPTION	DATE	DWN	APVD	
A1	-	B2	RELEASED AS PER ECR-09-005170	05.MAR.2009	GG	TS

- NOTES:
- 1 MATERIAL: SEE TABLE
 - 2 SURFACE AND COLOR: SEE TABLE
 - 3 VARNISH ON THE INSIDE NOT NECESSARY
 - 4 PACKAGING QUANTITY: 5 PIECES PER BOX

PN 0-1 AS SHOWN



1	2	2	3			
DESCRIPTION	MATERIAL	SURFACE	COLOR	ITEM NO	REMARKS	
1	PROFILE SEAL	NEOPRENE		BLACK	3	
1	ADAPTOR ROUND	BRASS	NICKEL PLATED		2	
1	HOOD	ALUMINIUM		GREY	1	

ORDERING TEXT					
HA10.STO.1.13.5.Z					
DWN	R.SRINIVAS	3/2/2006	Tyco Electronics AMP GmbH 53757.Sankt Augustin,Germany		
CHK	R.SRINIVAS	3/2/2006	NAME		
APVD	T.SCHNURPFEL	1/19/2004	HOOD HA10.STO.1.13.5.Z		
PRODUCT SPEC	-				
APPLICATION SPEC	-				
WEIGHT	-		SIZE	CAGE CODE	DRAWING NO
CUSTOMER DRAWING			A3	00779	1102196
SCALE			1:1	SHEET	1 OF 1
REV			B2		

THIS DRAWING IS A CONTROLLED DOCUMENT FOR TYCO ELECTRONICS CORPORATION IT IS SUBJECT TO CHANGE AND THE CONTROLLING ENGINEERING ORGANIZATION SHOULD BE CONTACTED FOR THE LATEST REVISION.

DIMENSIONS:	TOLERANCES UNLESS OTHERWISE SPECIFIED:
mm	n.ISO 8015: n.ISO 2768-mH-E: n.DIN 16901-120
	0 PLC ± 1 PLC ± 2 PLC ± 3 PLC ± 4 PLC ± ANGLES ±
MATERIAL	FINISH
1	2