

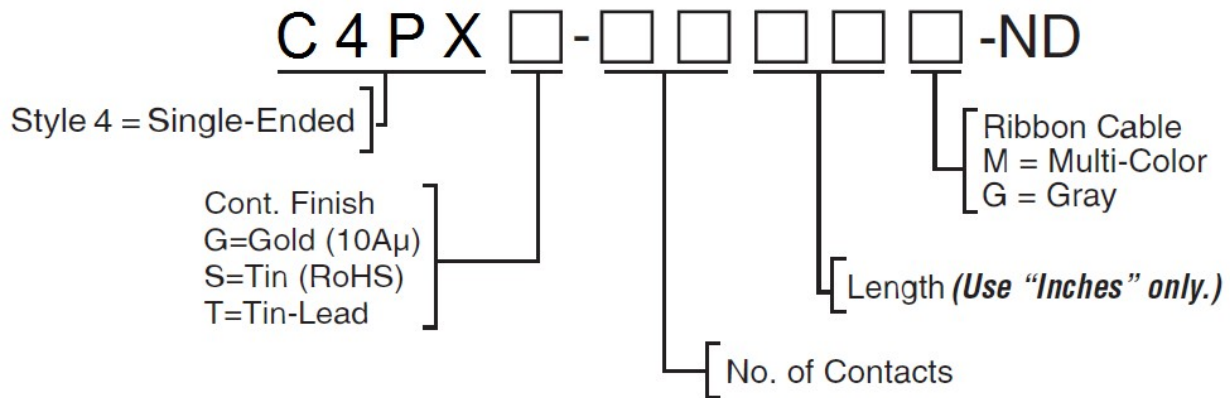
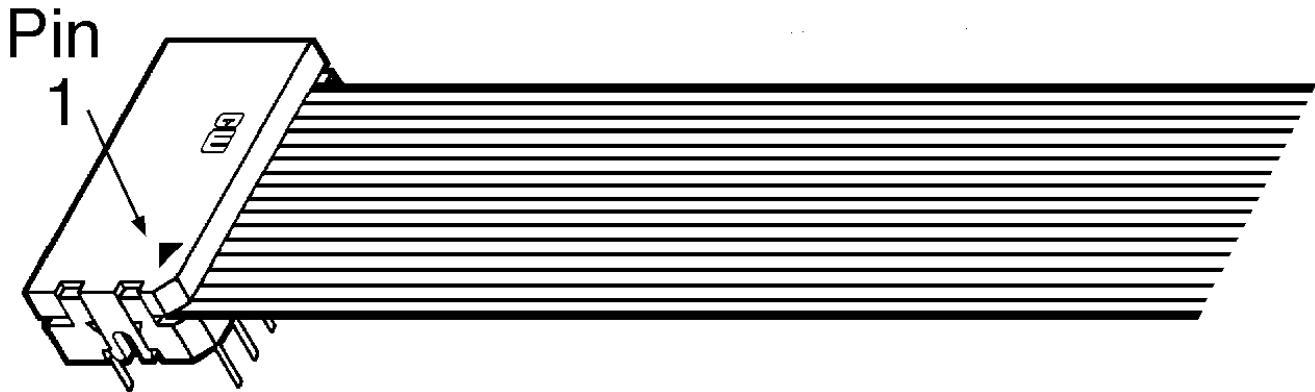


DIP Cable Assemblies

Single Ended Style 4

[DIP Connector without Strain Relief shown](#)

Pin #1 on connector is connected to 2nd conductor on cable



Digi-Key[®] Custom Cable Assemblies Available
Call Digi-Key

Also available in the following version:

[DIP Connector with Strain Relief Strap](#)

C4RX□-□□□□□-ND