

MODEL NUMBER	DESCRIPTION	SCREWS SUPPLIED	FIGURE
BJ3157F-2C	2 HOLE, \varnothing .103 CLEARANCE	—	1
BJ3157F-2T	2 HOLE, THREADED 3-56 UNF-2B	—	
BJ3157F-2CS	2 HOLE, \varnothing .103 CLEARANCE	PAN HEAD 3-56 X 5/16	2
BJ3157F-2TS	2 HOLE, THREADED 3-56 UNF-2B	PAN HEAD 3-56 X 5/16	
BJ3157F-4C	4 HOLE, \varnothing .103 CLEARANCE	—	
BJ3157F-4T	4 HOLE, THREADED 3-56 UNF-2B	—	
BJ3157F-4CS	4 HOLE, \varnothing .103 CLEARANCE	PAN HEAD 3-56 X 5/16	
BJ3157F-4TS	4 HOLE, THREADED 3-56 UNF-2B	PAN HEAD 3-56 X 5/16	

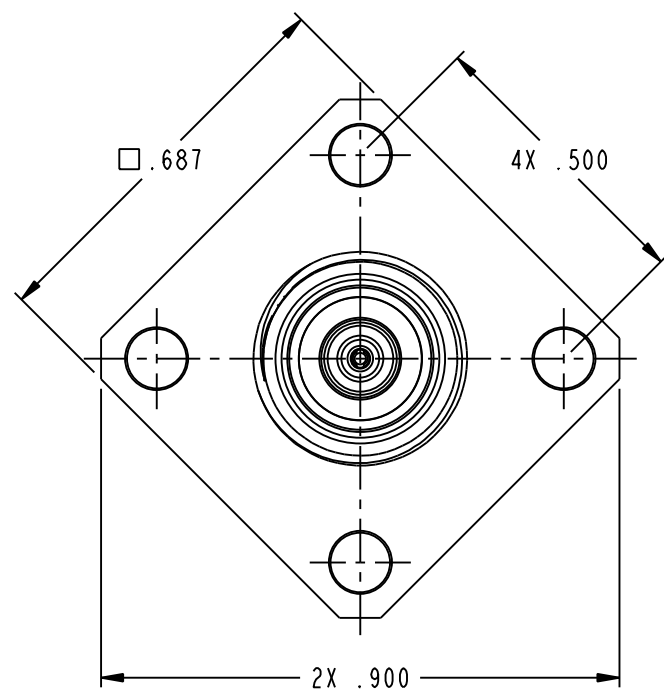
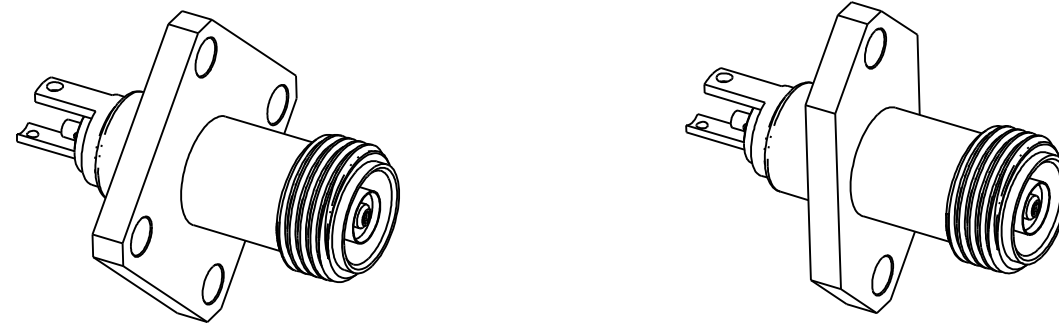


FIGURE 2
BJ3157F-4C SHOWN

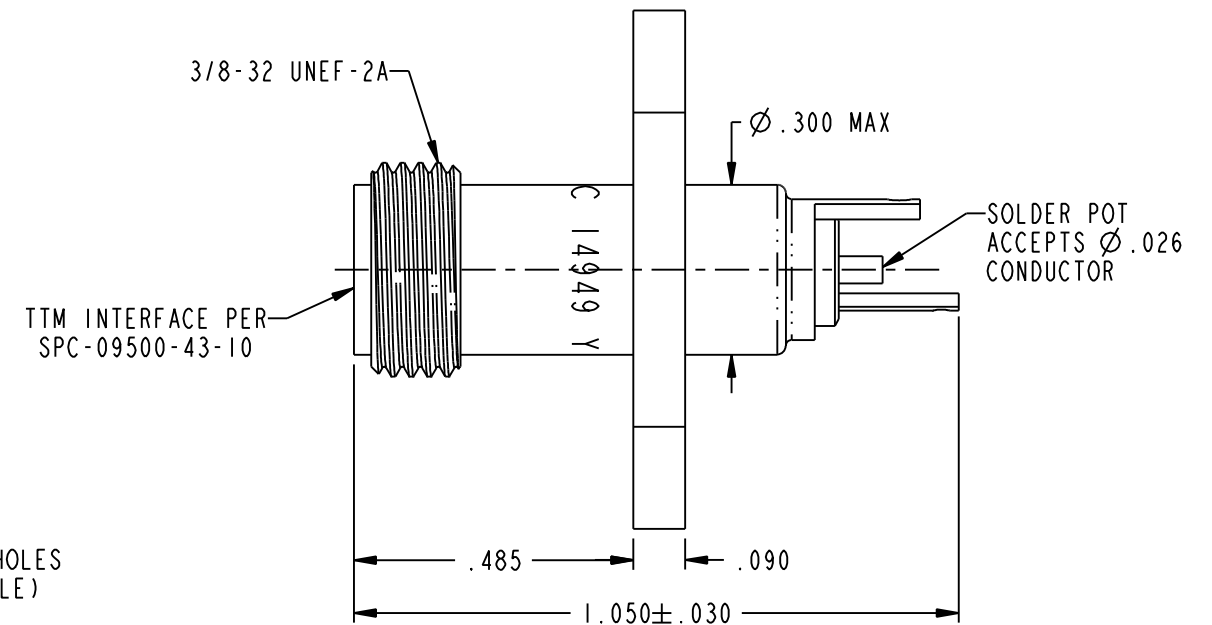
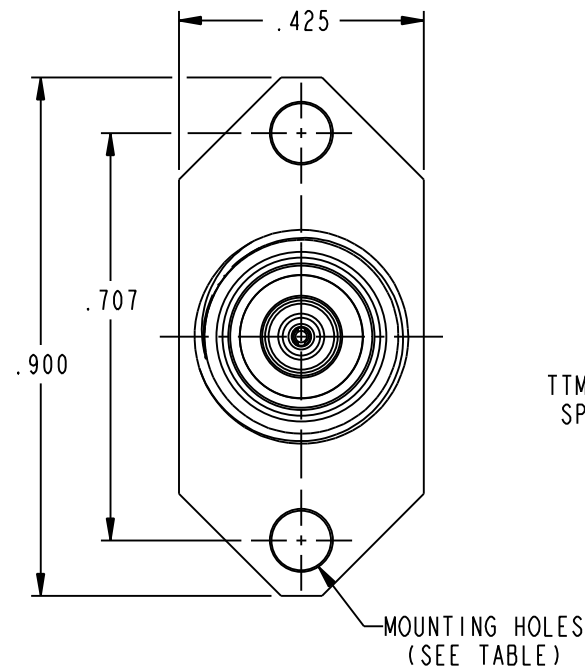


FIGURE 1
BJ3157F-2C SHOWN

NOTES: UNLESS OTHERWISE SPECIFIED.

1. MATERIAL & FINISH:
 - 1.1 BODY: NICKEL PLATED BRASS
 - 1.2 INSULATOR: PTFE (TEFLON)
 - 1.3 INTERMEDIATE CONTACT: GOLD PLATED BRASS
 - 1.4 DIELECTRIC: PTFE (TEFLON)
 - 1.5 CENTER CONTACT: GOLD PLATED BERYLLIUM COPPER
 - 1.6 SCREWS: STAINLESS STEEL
2. ELECTRICAL:
 - 2.1 FREQUENCY (MAX): 500 MHz
 - 2.2 IMPEDANCE: NON-CONSTANT
3. PANEL THICKNESS (MAX): .187

4. EXAMPLE OF COMPLETE MODEL NUMBER:

BASIC PART NO. BJ3157F-2CS

NUMBER OF HOLES ————

——— INCLUDED PAN HEAD SCREW (OPTIONAL)

——— C = CLEARANCE

——— T = THREADED

<p>This PROPRIETARY Document is property of Cinch Connectivity Solutions. It is confidential in nature, non-transferable, and issued with the clear understanding that it is no Trace or Copied without permission and is returnable upon demand.</p> <p>INTERPRET DRAWING IN ACCORDANCE WITH ASME Y14.5-2009.</p>		TROMPETER
	RoHS2 2011/65/EU	Title: TTM 2 OR 4 HOLE FLANGE MOUNT BULKHEAD JACK
UNLESS OTHERWISE SPECIFIED UNITS: INCH .XX ± .02 .XXX ± .010 ANGLES ± 2°	Model No.: BJ3157F-XXX	Size B DO NOT SCALE DRAWING
Date: 6/29/2015	Sheet 1 OF 1	