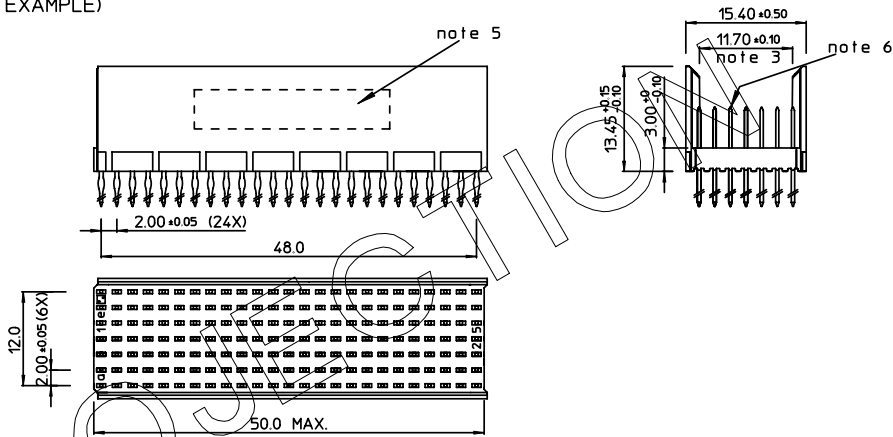


LOADING PATTERN MATING SIDE

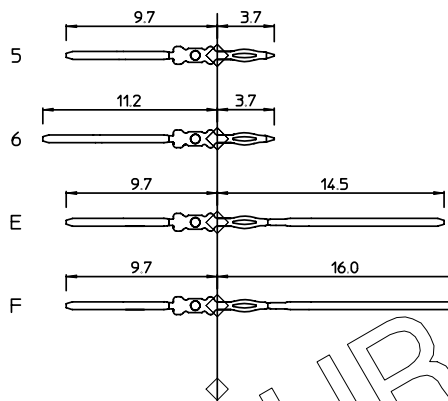
f	6	6	6	6	6	6	6	6	6	6	6	6	6	6	6	6	6	6	6	6	6	6	6	6	6	6	6	6	6	6	6	6	6
e	E	E	E	E	E	5	5	5	5	E	E	E	E	E	5	5	5	5	E	E	E	E	5	5	5	5	E	E	E	E	5	5	
d	E	E	E	E	E	5	5	5	5	E	E	E	E	E	5	5	5	5	E	E	E	E	5	5	5	5	E	E	E	E	5	5	
c	F	F	F	F	F	5	5	5	5	F	F	F	F	F	5	5	5	5	F	F	F	F	5	5	5	5	F	F	F	F	5	5	
b	E	E	E	E	E	5	5	5	5	E	E	E	E	E	5	5	5	5	E	E	E	E	5	5	5	5	E	E	E	E	5	5	
a	E	E	E	E	E	5	5	5	5	E	E	E	E	E	5	5	5	5	E	E	E	E	5	5	5	5	E	E	E	E	5	5	
z	6	6	6	6	6	6	6	6	6	6	6	6	6	6	6	6	6	6	6	6	6	6	6	6	6	6	6	6	6	6	6	6	6
SOP	0	1	0	5	1	0	1	5	2	0	2	5																					

LOADED CONNECTOR ASSEMBLY (FOR EXAMPLE)

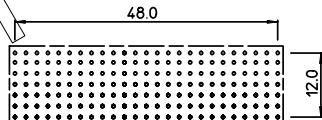


SHEET NR. : 597

CONTACT OVERVIEW



LAY-OUT P.C.B.-HOLE



SEATING PLANE FOR CONNECTOR

LEAD FREE INDICATOR : LF = LEAD FREE (DIGIT 15 & 16)

HM2P08PNU1K1

PLATING CODE (DIGIT 13 AND 14)
(REF DWG No. BS,C ,201844.003)

NOTES:

1. THIS PRODUCT IS CSA APPROVED.
2. THIS PRODUCT IS UL RECOGNIZED.
3. MEASURED AT THE BOTTOM.
4. MATERIAL CONTACT: PHOSPHORBRONZE
HOUSING: CREAM WHITE GLASSFILLED POLYESTER UL-94V0
5. CONNECTOR PRINTED WITH P/N AND DATE CODE.
6. FOR ACTUAL CONTACT LOADINGS, SEE LOADING PATTERN MATING SIDE.
7. SHAPE OF CONNECTOR HOUSING CAN ALTER DEPENDING ON PRODUCTION LOCATION.
8. THE PRODUCT (LF) MEETS EUROPEAN UNION DIRECTIVES AND OTHER COUNTRY REGULATIONS AS DESCRIBED IN GS-22-008
9. FOR RECOMMENDED PTH DIMENSIONS REFER DRAWING : BS,A ,201572.001

1DEC ±0,2 2DEC ±0,1 ANGLES ±1°	APPR.	DATE	SIGN.	LOADING PATTERN OVERVIEW
	DRAFT	1998-03-27	M.Fret	CAT. No. HM2P08PNU1K1----
	CHECKED			SCALE
WE RESERVE THE RIGHT TO CHANGE DIMENSIONS OR REQUIREMENTS WITHOUT PRIOR NOTICE.	PROD. MGR.			www.fciconnect.com
	PR. ENG. MGR.			
ALL DIMENSIONS IN MM	PR. MGT. MGR.			REFERENCES
				BS,C ,201843,494 D DRAWING No. CUSTOMER DRAWING REVISION

THIS IS OUR EXCLUSIVE PROPERTY. IT IS NOT TO BE COPIED, REPRINTED OR DISCLOSED TO A THIRD PARTY, NOR USED FOR MANUFACTURING WITHOUT OUR WRITTEN CONSENT, AND HAS TO BE RETURNED TO US IN CASE OF NO USAGE

DIT IS ONZE EIGENDOM EN MAG NIET HEGMAAKT, HERDIKT, OVERGEMAAKT AN DERDEN, NOCH VOOR FABRIKATIE GEBRUIKT WORDEN, ZONDER ONZE SCHRIFTELIJKE TOELATING. BIJ NIET GEBRUIK IS TERUGZENDING VERPLICHT.