

DETAILS

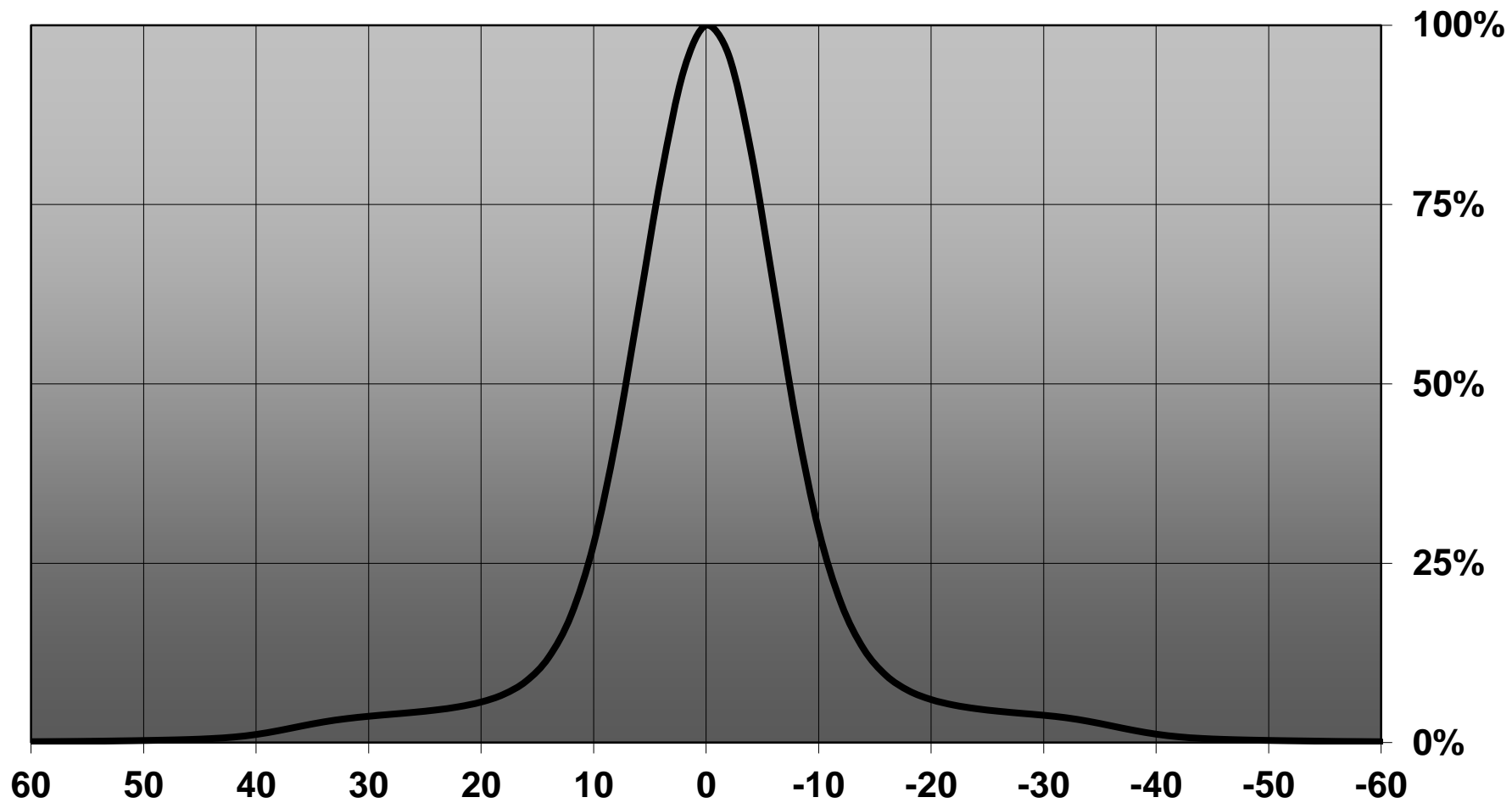
Product Number	CN12486_MIRELLA-50-S-PIN-DL
Family	Mirella
Type	RefPack
Color	metal
Diameter	49,9 mm
Height	23,9 mm
Style	round
Optic Material	PC
Holder Material	
Fastening	pin
Status	production ready
ROHS Compliant	Yes
Date Updated	1/09/2014

OPTICAL PROPERTIES

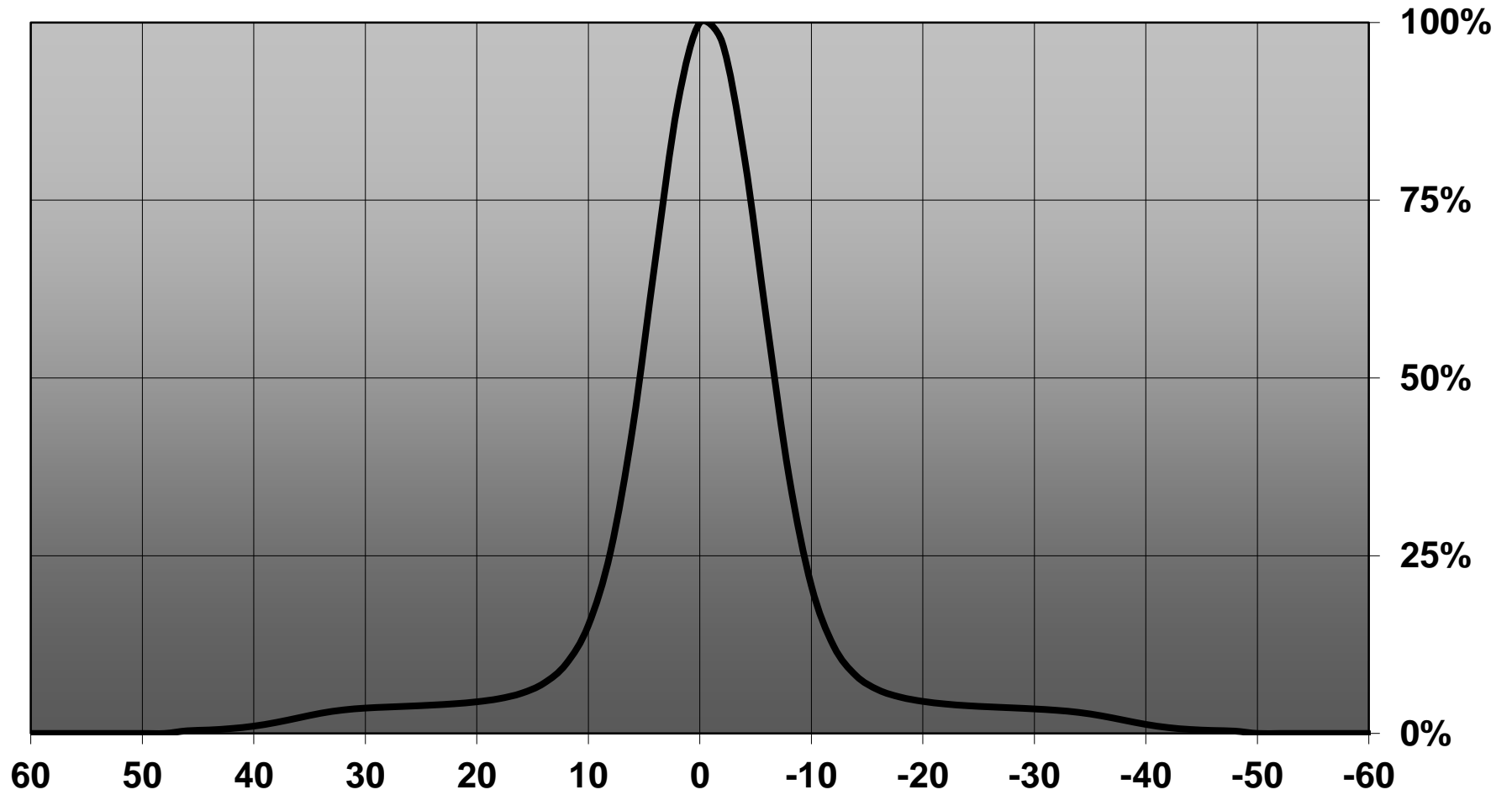
LED	Viewing	Light	Efficiency	cd/lm	Connector
	Angle	Beam			
SM4	15 deg	Spot	81 %	6.930	-
XM-L	12 deg	Spot	86 %	8.730	-
XT-E	11 deg	Spot	85 %	9.910	-
XP-G	11 deg	Spot	86 %	10.360	-
XP-G2	11 deg	Spot	87 %	10.360	-
XM-L2	12 deg	Spot	86 %	8.190	-
MHB-A	17 deg	Spot	85 %	5.430	-
XHP50	16 deg	Spot	89 %	5.300	-
LUXEON A	12 deg	Spot	85 %	8.890	-
LUXEON M/MX	15 deg	Spot	86 %	5.880	-
LUXEON MZ	11 deg	Spot	85 %	9.250	-
NS9x383	12 deg	Spot	85 %	8.430	-
Oslon Square EC	11 deg	Spot	85 %	9.700	-
Duris S8	12 deg	Spot	86 %	8.300	-



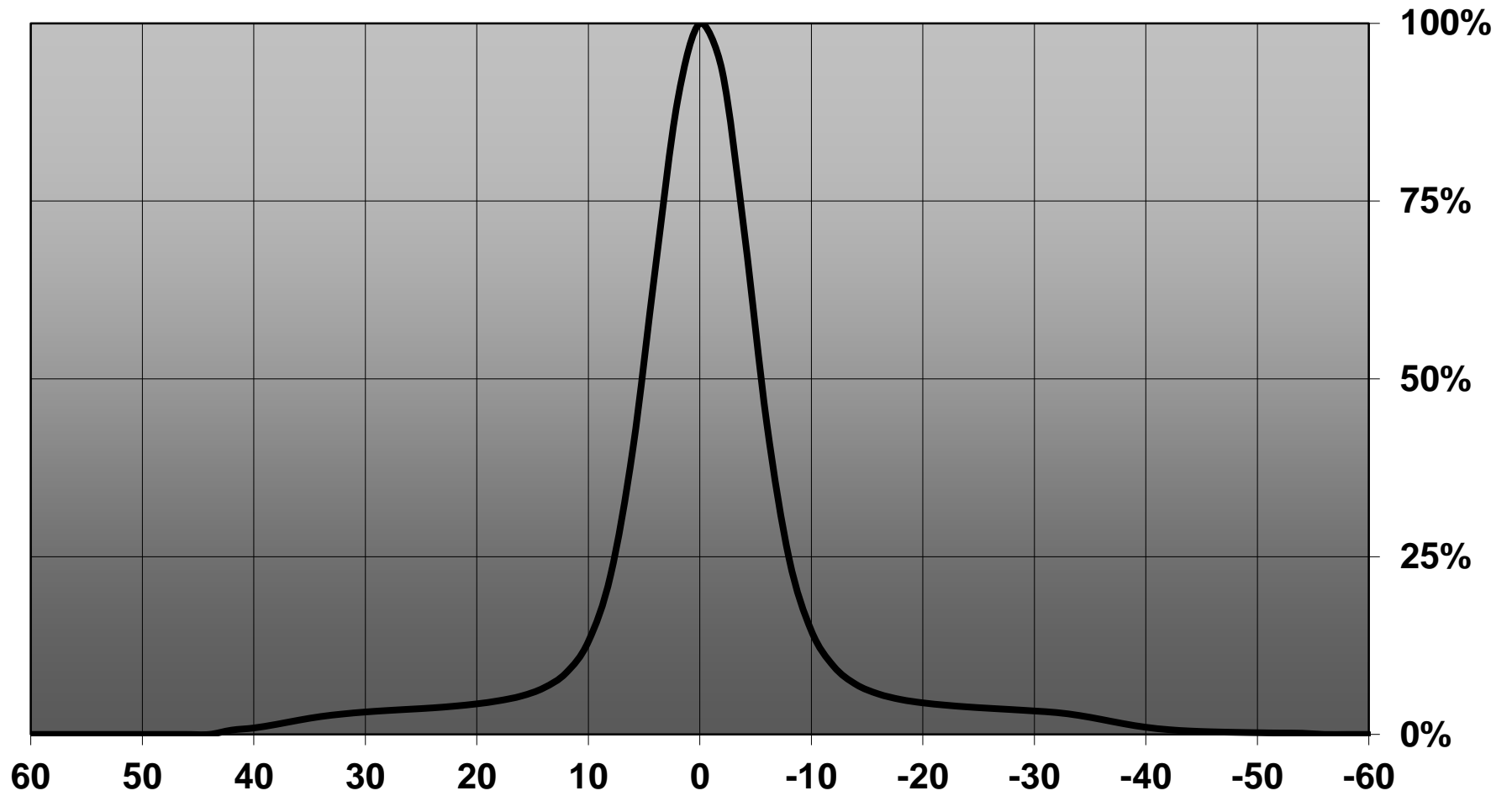
Relative intensity of CN12486_MIRELLA-50-S-PIN-DL_(SM4)



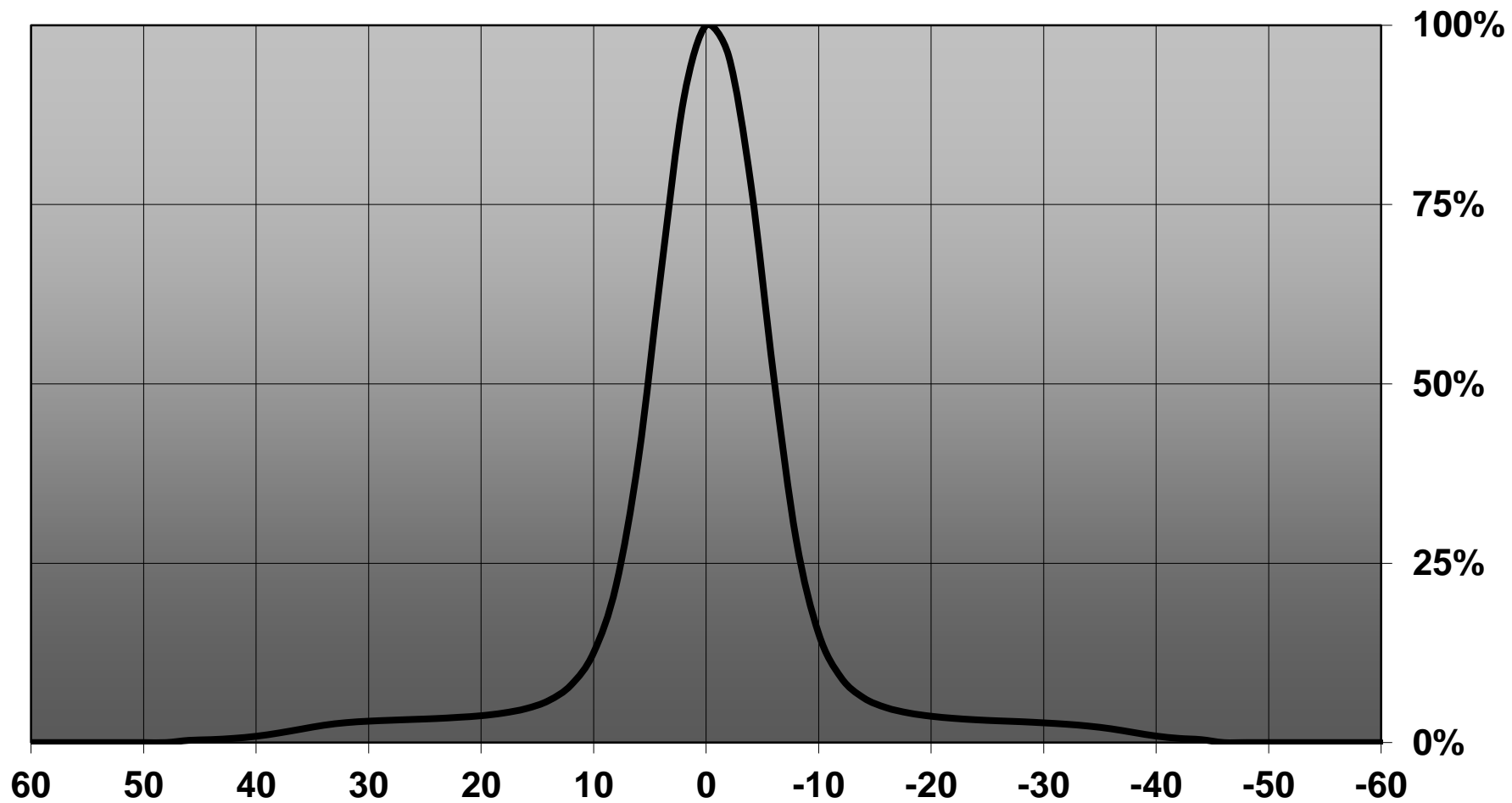
Relative intensity of CN12486_MIRELLA-50-S-PIN-DL_(XM-L)



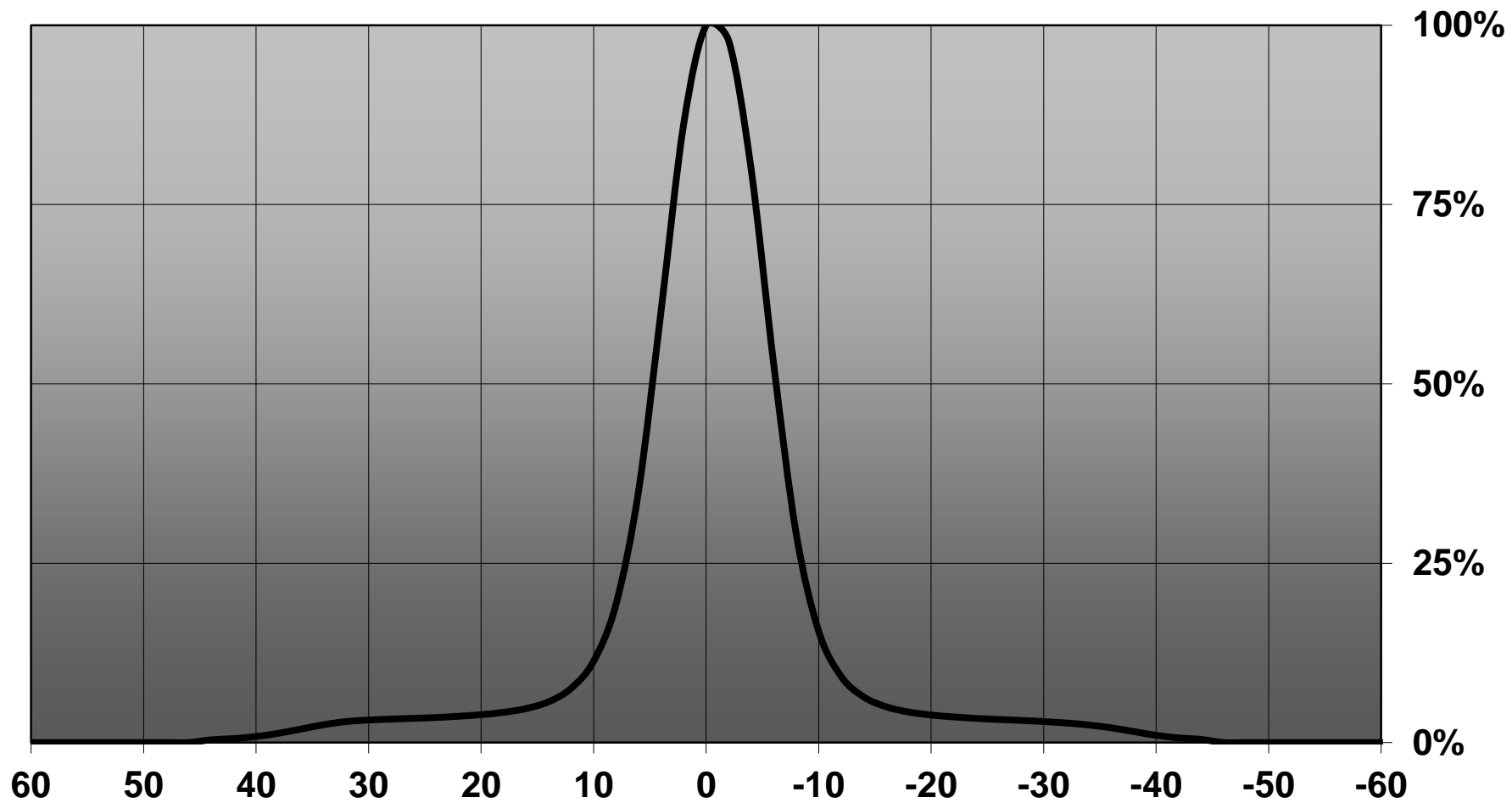
Relative intensity of CN12486_MIRELLA-50-S-PIN-DL_(XT-E)



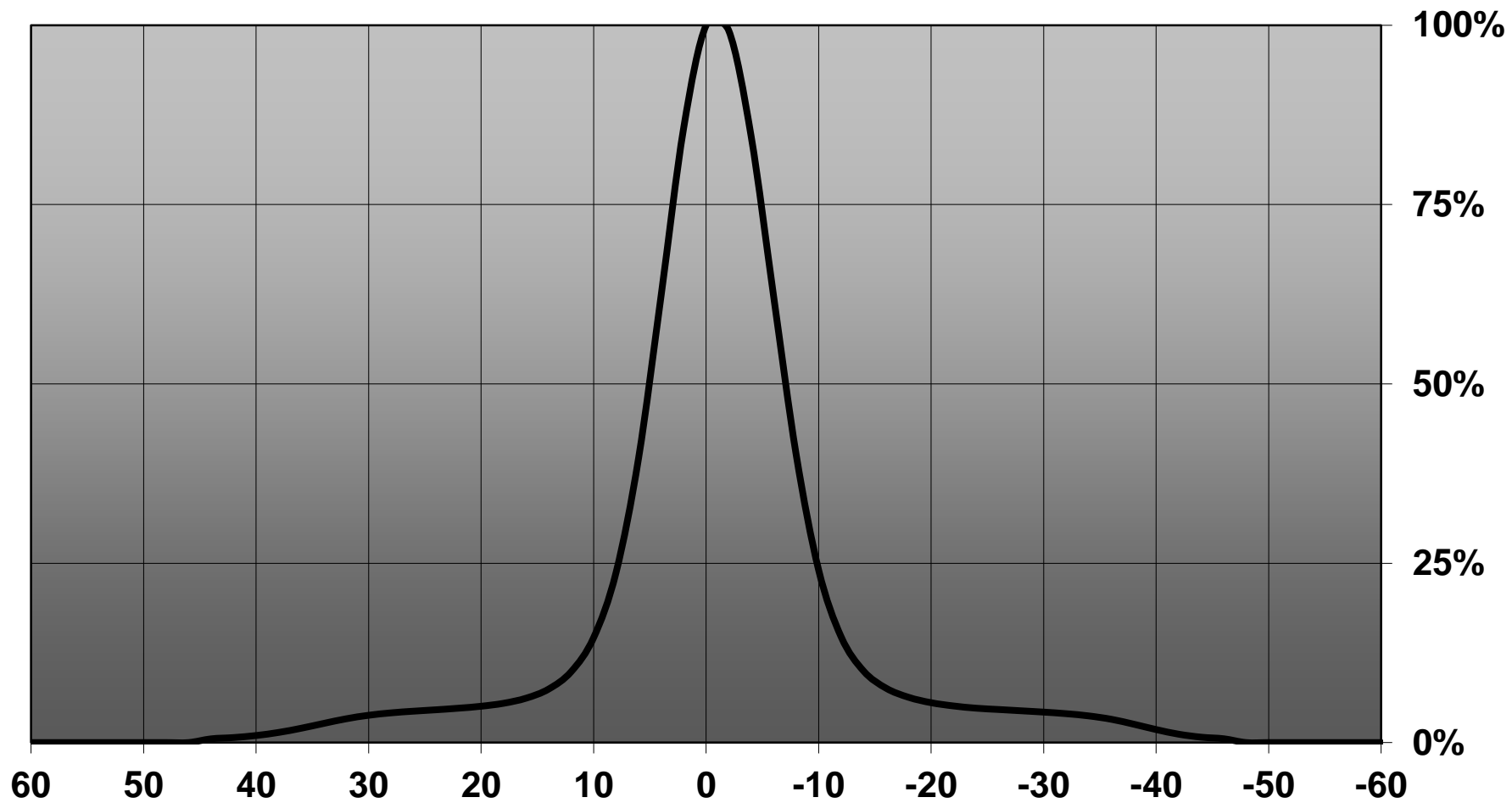
Relative intensity of CN12486_MIRELLA-50-S-PIN-DL_(XP-G)



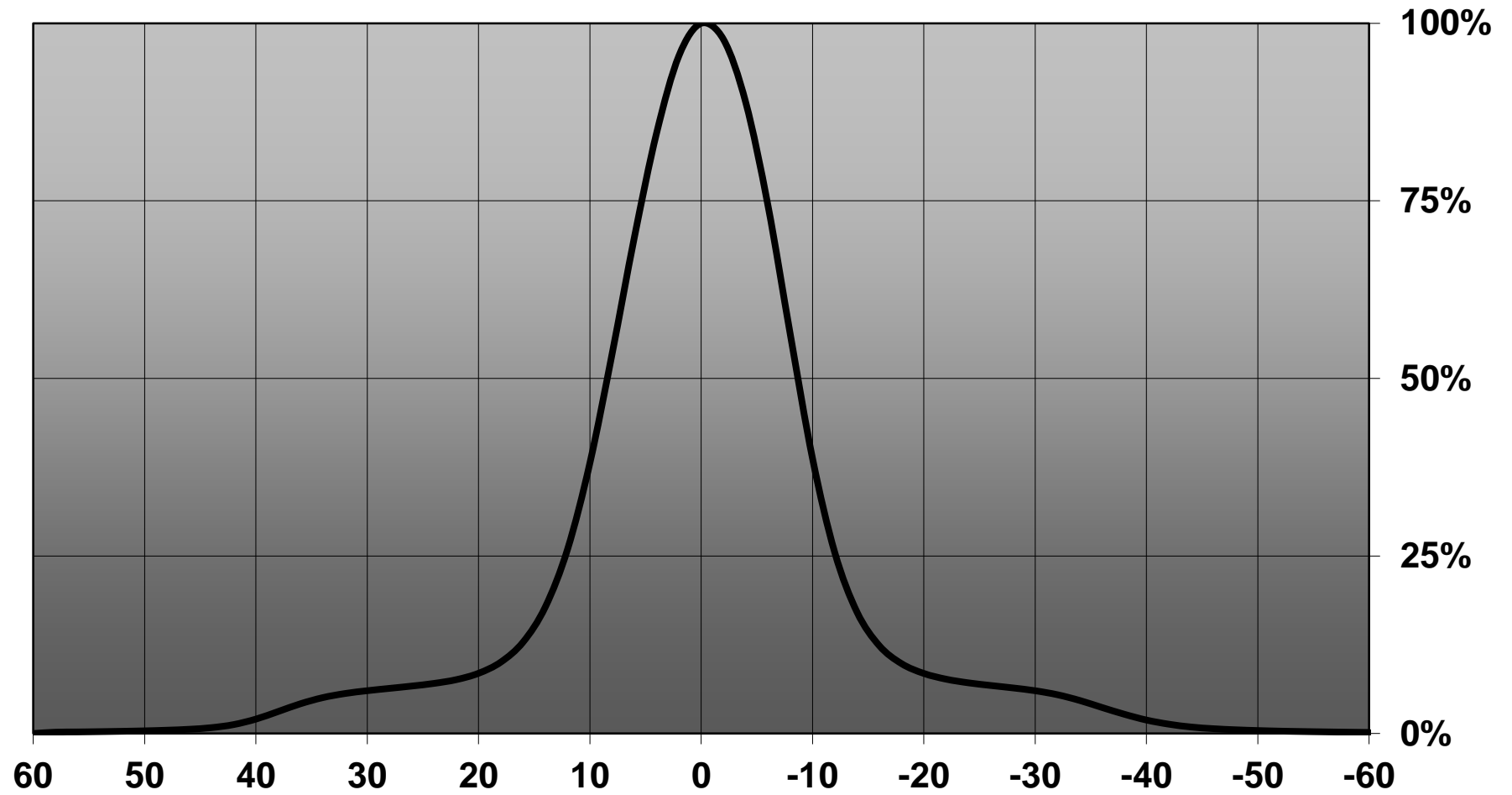
Relative intensity of CN12486_MIRELLA-50-S-PIN-DL_(XP-G2)



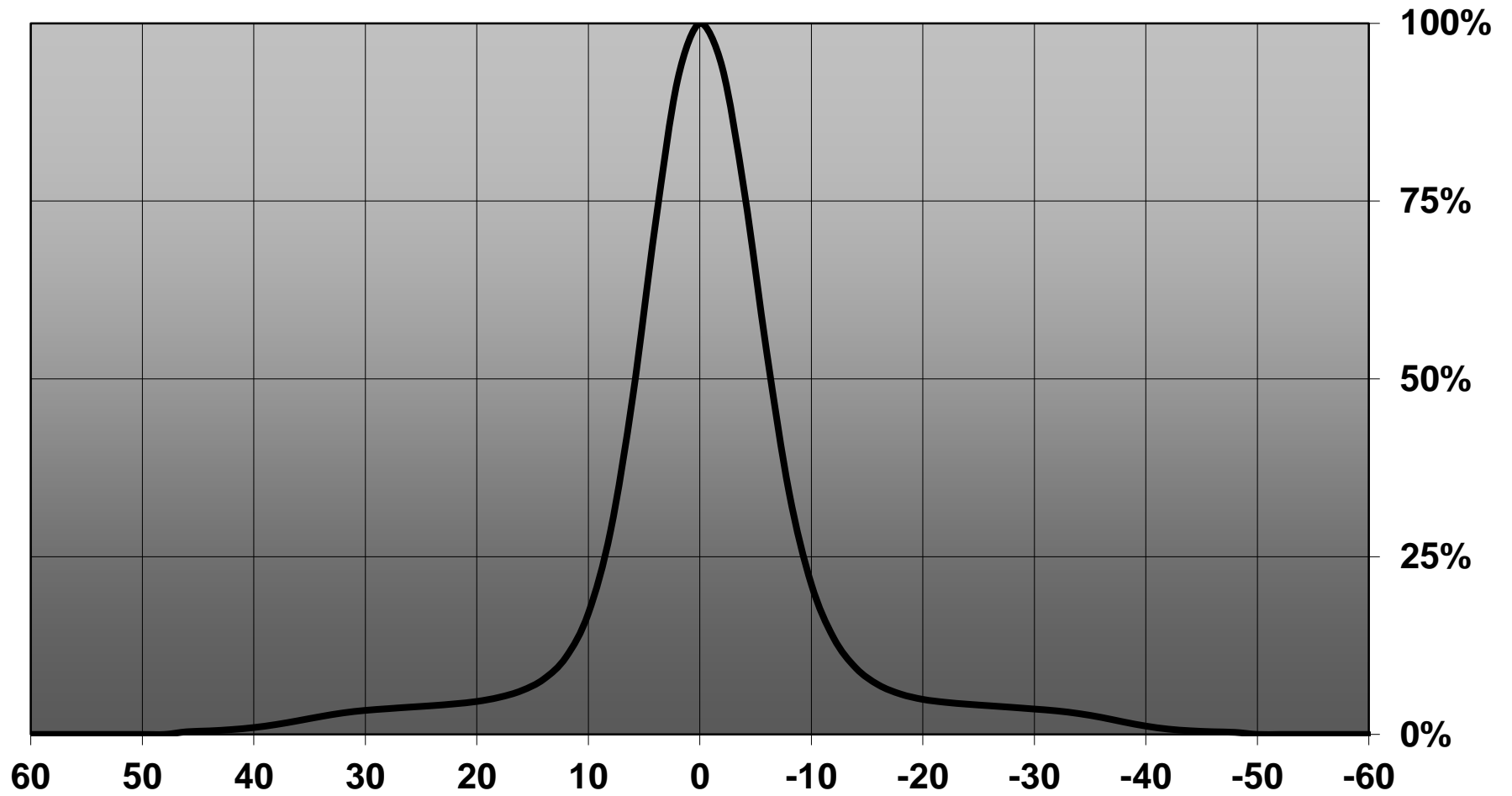
Relative intensity of CN12486_MIRELLA-50-S-PIN-DL_(XM-L2)



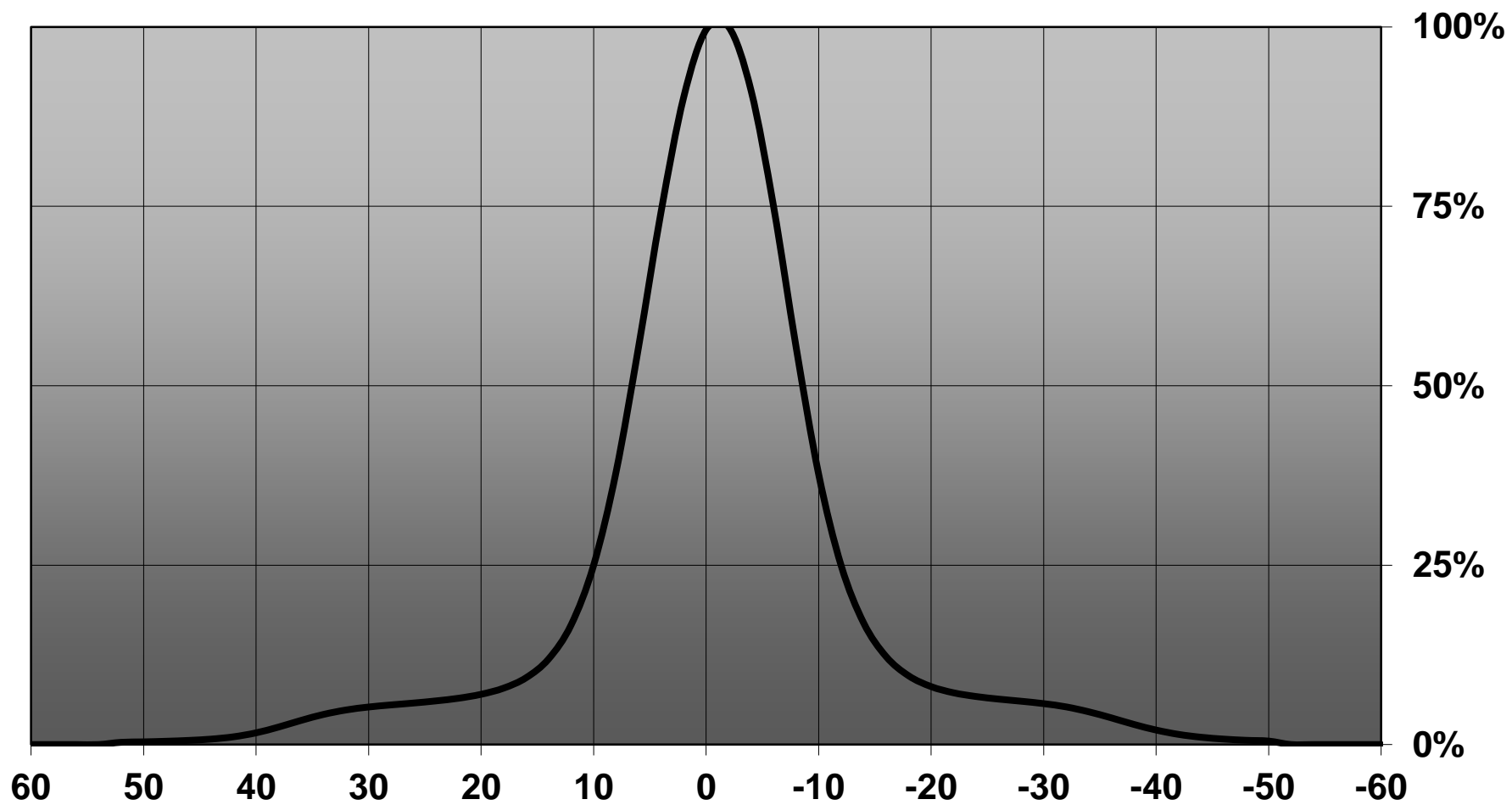
Relative intensity of CN12486_MIRELLA-50-S-PIN-DL_(MH-B)



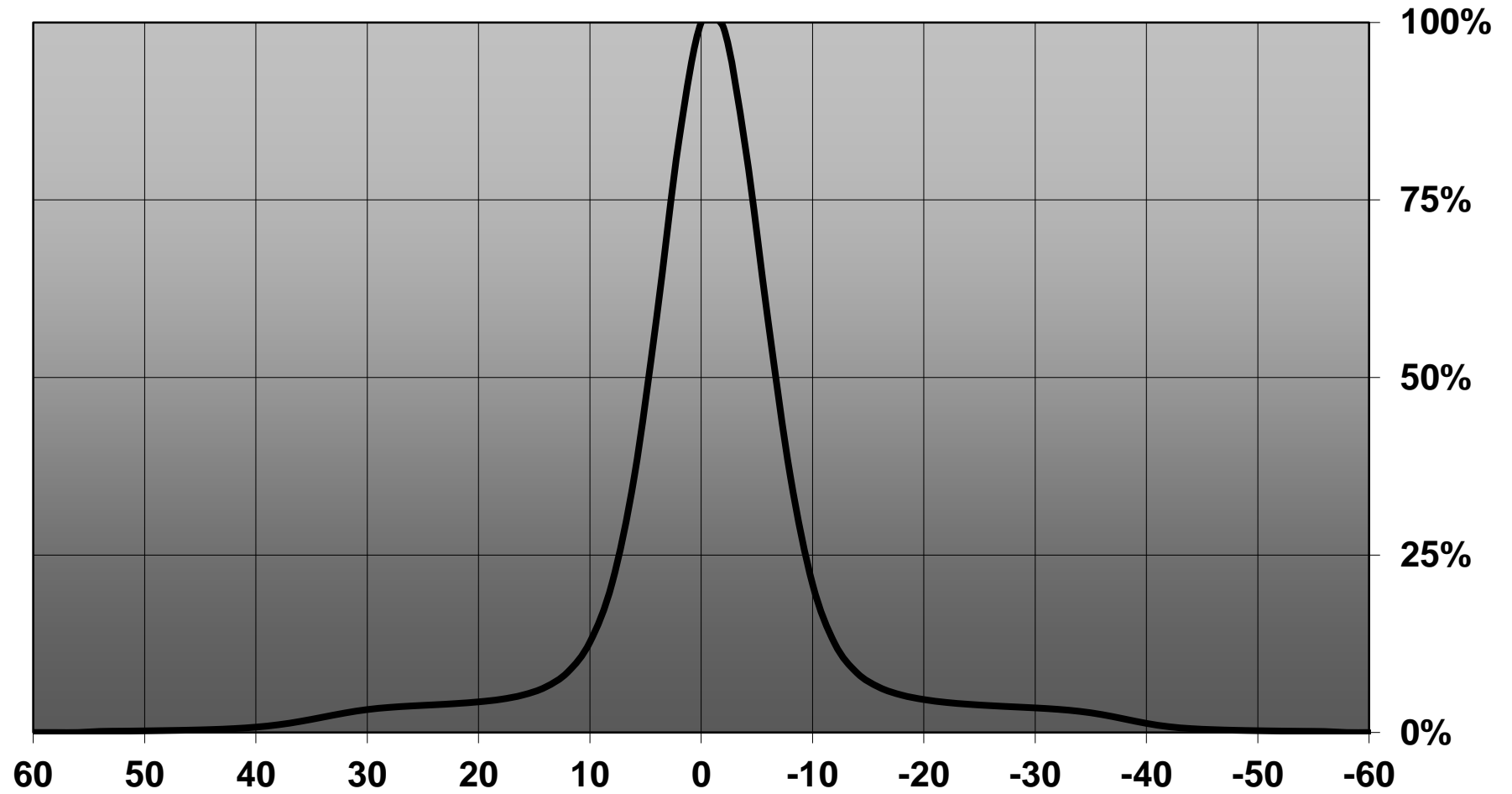
Relative intensity of CN12486_MIRELLA-50-S-PIN-DL_(Luxeon A)



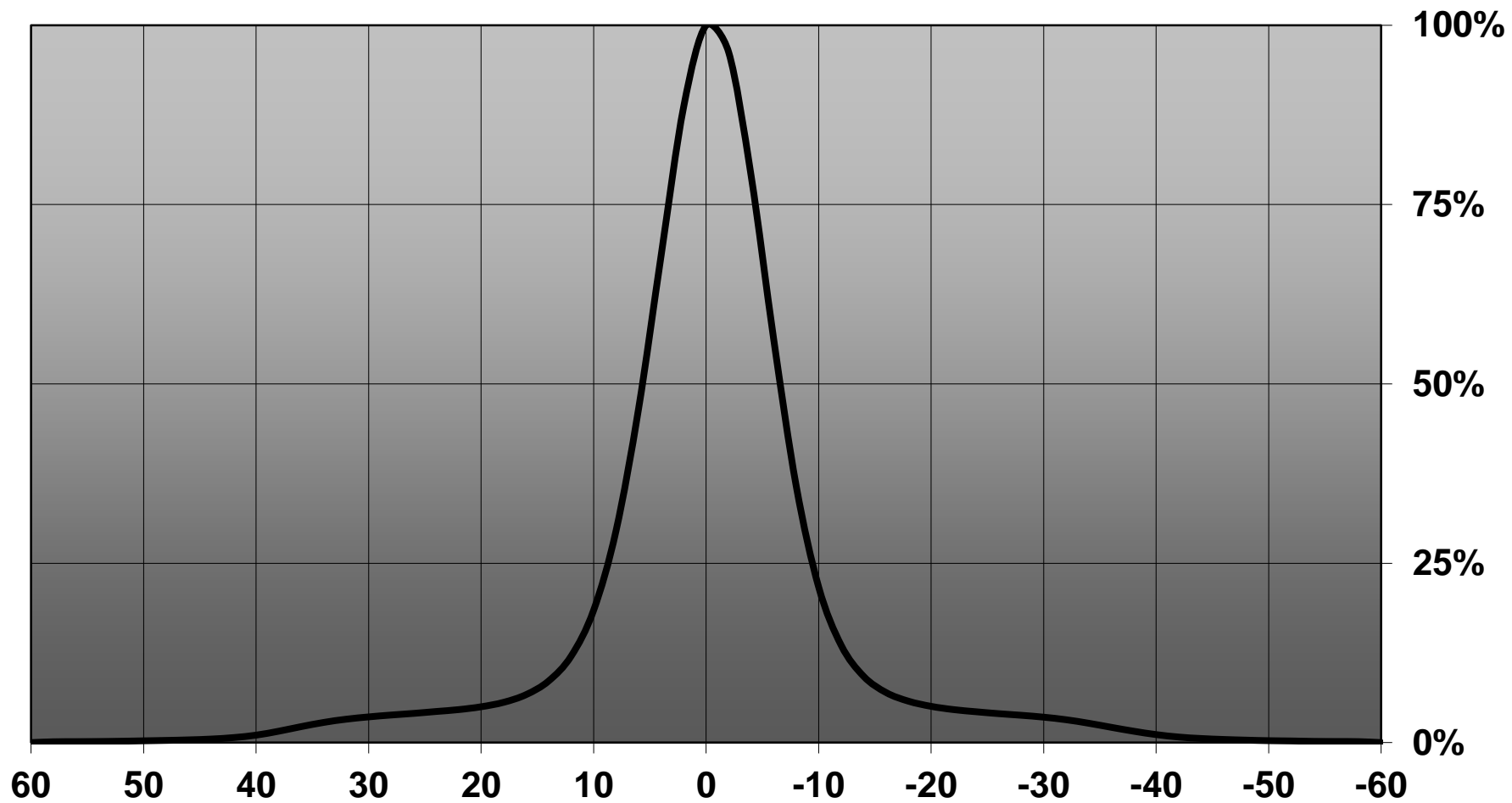
Relative intensity of CN12486_MIRELLA-50-S-PIN-DL_(Luxeon M)



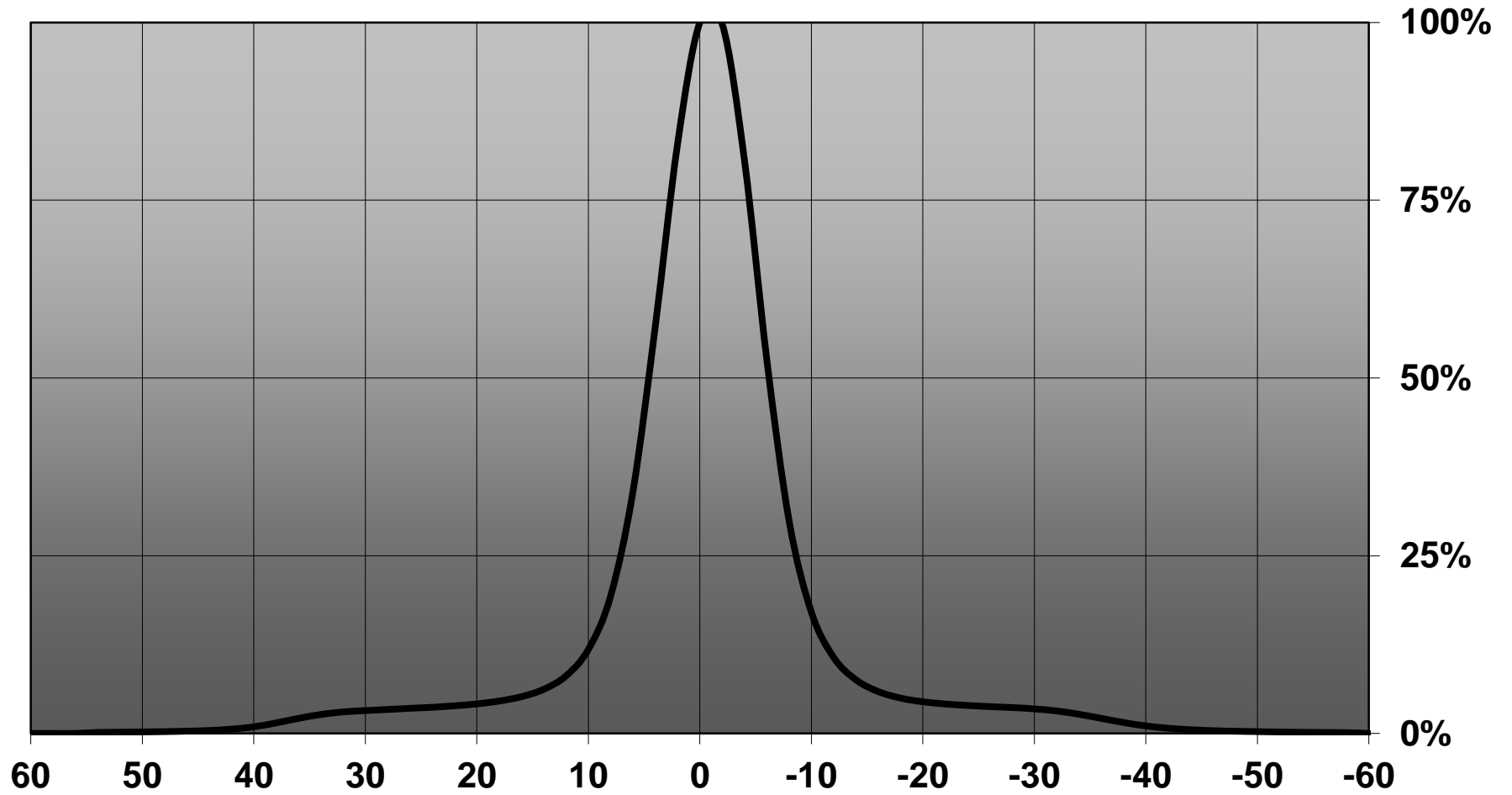
Relative intensity of CN12486_MIRELLA-50-S-PIN-DL_(Luxeon MZ)



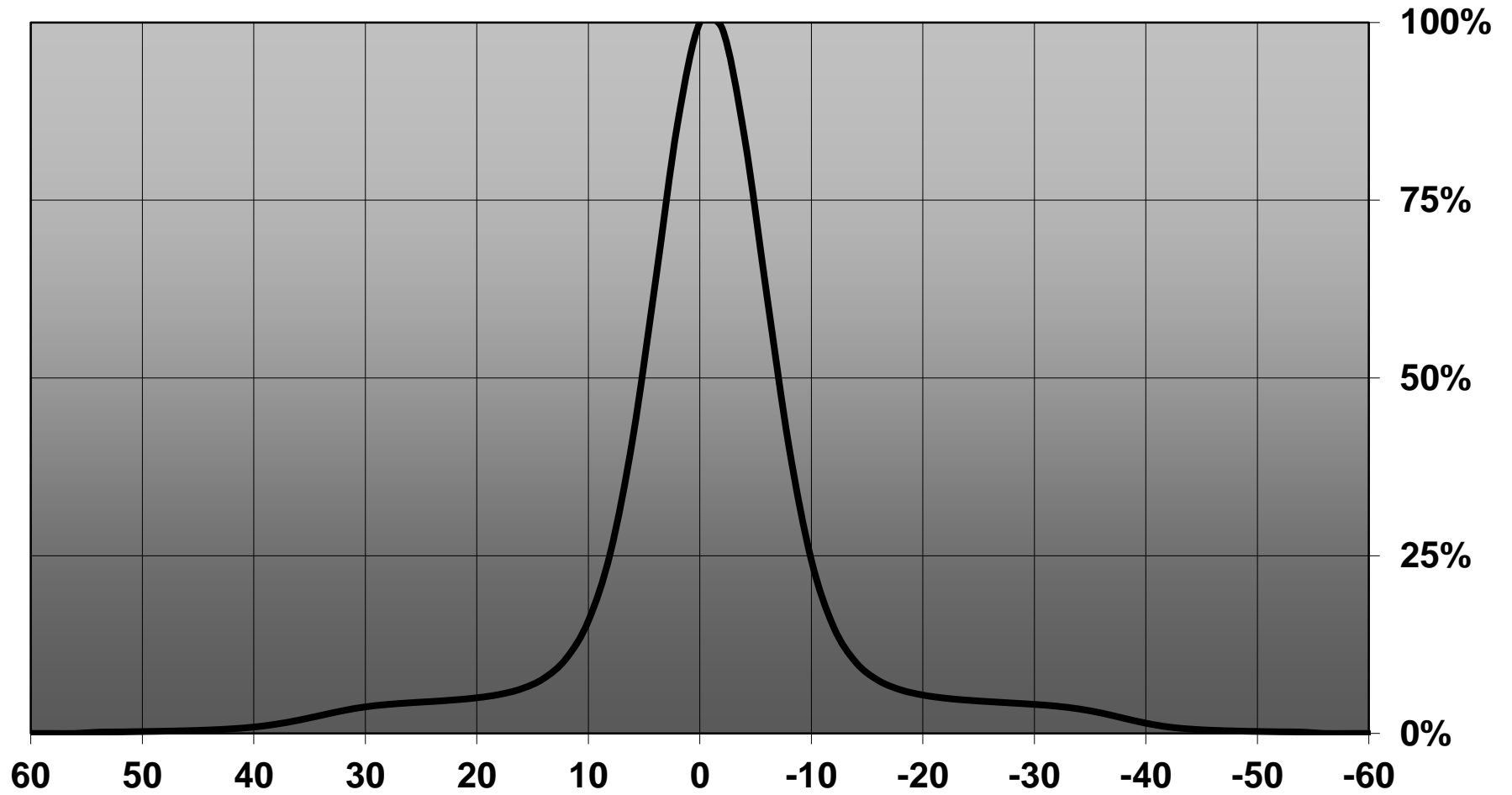
Relative intensity of CN12486_MIRELLA-50-S-PIN-DL_(NS9x383)



Relative intensity of CN12486_MIRELLA-50-S-PIN-DL_(Square EC)



Relative intensity of CN12486_MIRELLA-50-S-PIN-DL_(Duris S8)

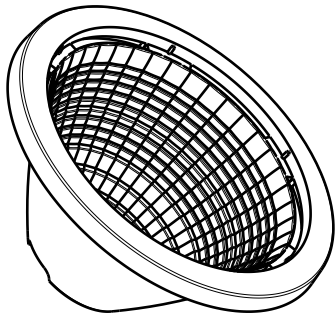


D

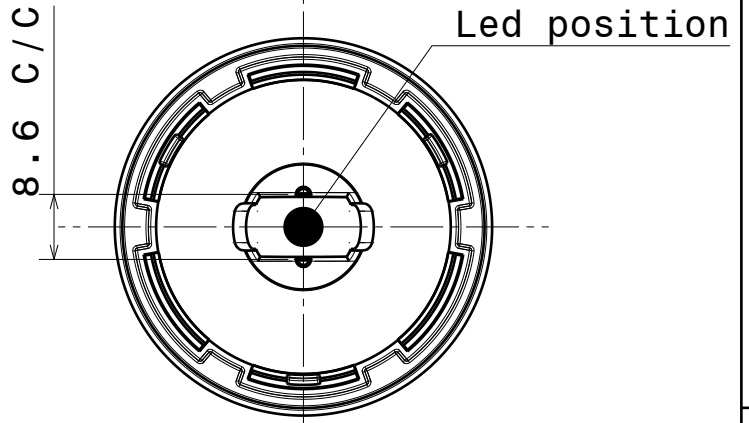
C

B

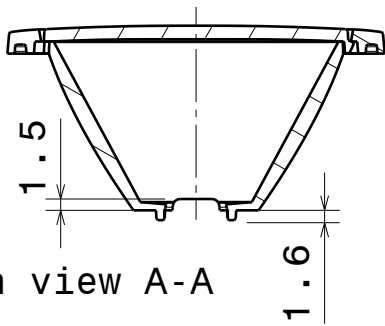
A



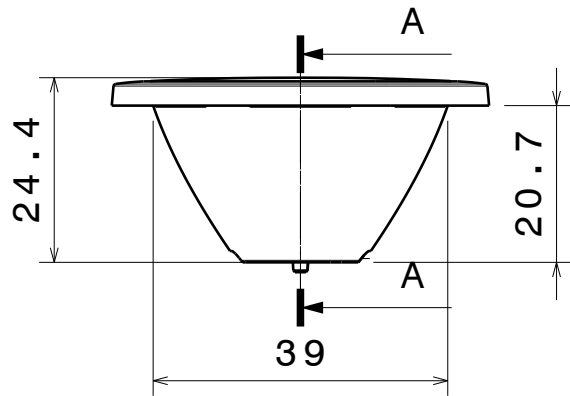
Isometric view



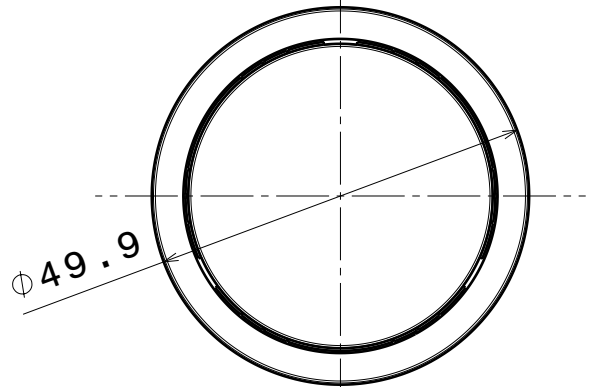
Botto view



Section view A-A



Front view

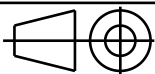


Top view

Tolerances if not otherwise shown
 According to DIN ISO 2768-1
 Linear measures:
 Up to 30mm class M, otherwise class C.
 According to DIN ISO 2768-2
 Form and position: class L

LEDiL Ledil Oy
 Salorankatu 10
 FIN 24240 SALO
 Finland

THIRD ANGLE PROJECTION:



DRAWING TITLE

Datasheet_Mirella_pin

This drawing is the property
 of LEDiL Oy. It may not be
 reproduced, copied or
 communicated without a written
 agreement with LEDiL Oy."

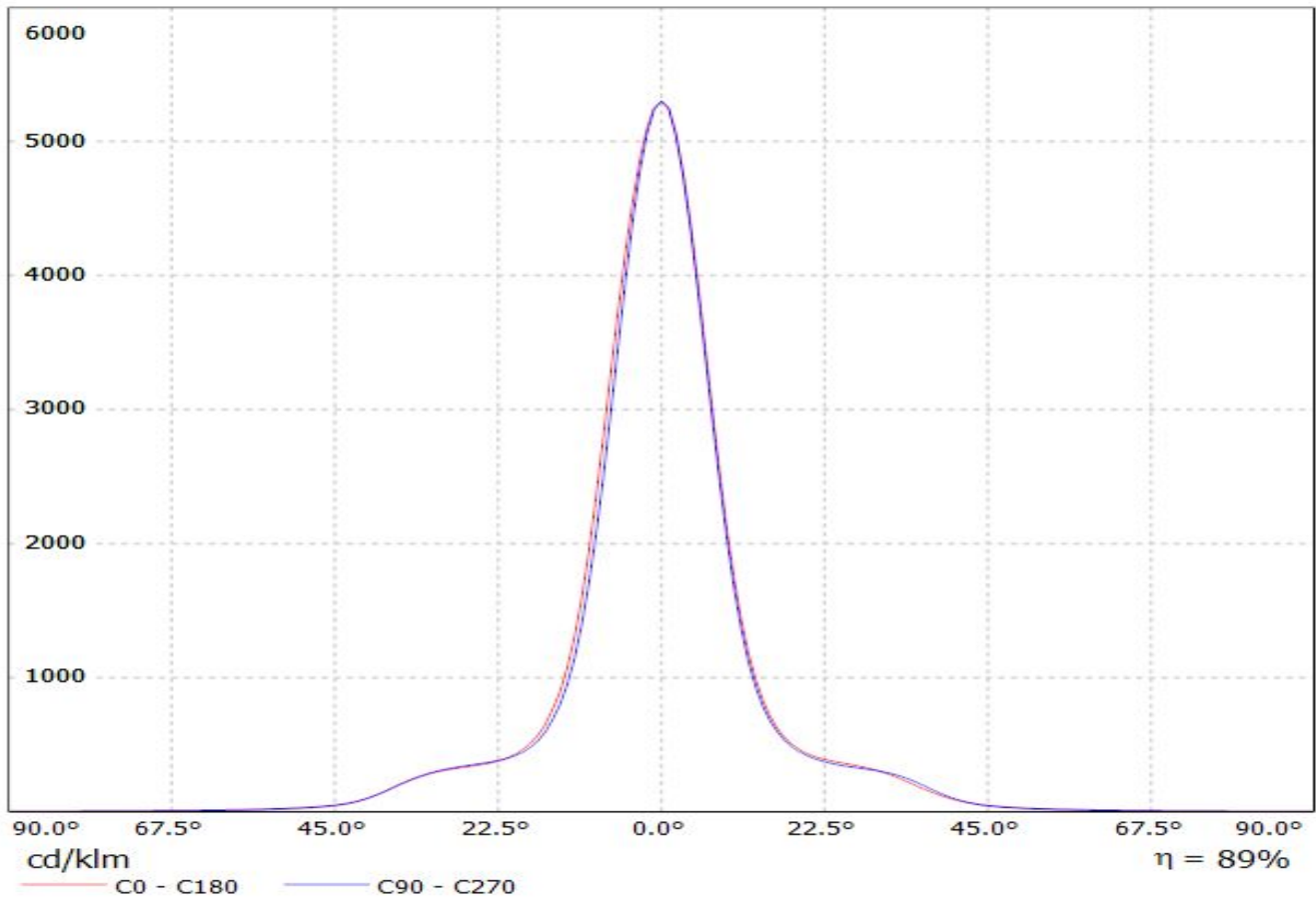
SIZE	PART NUMBER
A4	-

SCALE	1:1	WEIGHT	-	SHEET	1/1
-------	-----	--------	---	-------	-----

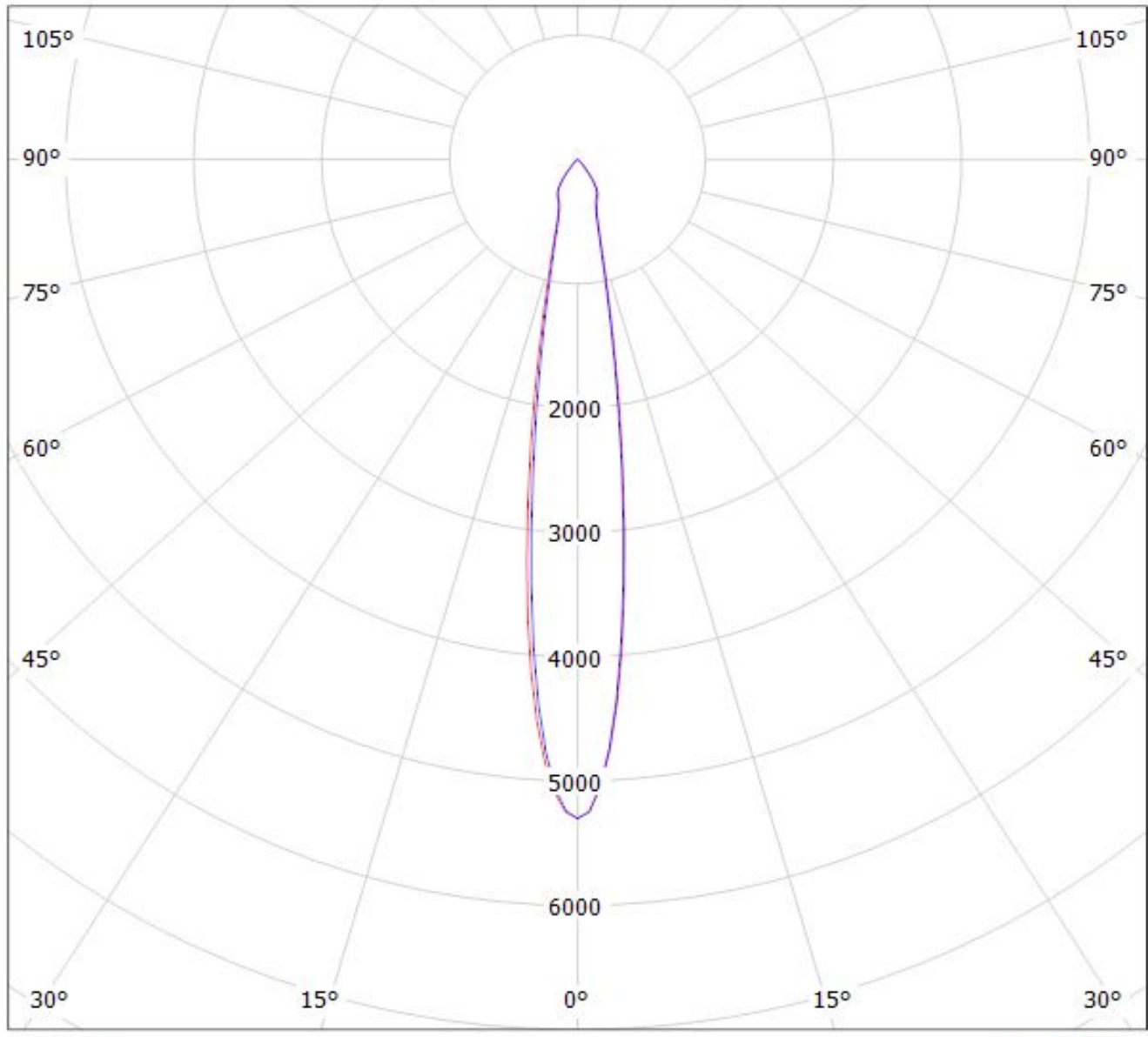
D

A

Luminaire: LEDiL Oy CN12486_MIRELLA-50-S-PIN-DL_(CREE_XHP50_WARM_WHITE)
Lamps: 1 x CREE_XHP50_WARM_WHITE_195.49lm@250mA_P=1.39994W_I=0.2499A



Luminaire: LEDiL Oy CN12486_MIRELLA-50-S-PIN-DL_(CREE_XHP50_WARM_WHITE)
Lamps: 1 x CREE_XHP50_WARM_WHITE_195.491lm@250mA_P=1.39994W_η=0.2499A



cd/klm

— C0 - C180 — C90 - C270

η = 89%

NOTE: The typical divergence will be changed by different color, chip size and chip position tolerance. The typical total divergence is the full angle measured where the luminous intensity is half of the peak value.