



FCIconnect.com

Copyright FCI.

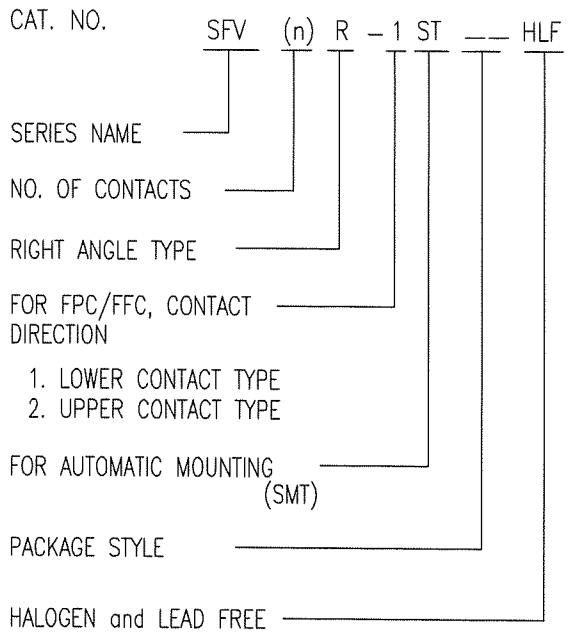
List of "SFV__R-1/2STE9HLF" customer document

DOCUMENT NO.	LIST
10117320(Sheet1)	DOCUMENT LIST
10117320(Sheet2)	CAT.NO.TABLE FOR 0.5mm CONTACT SPACING CONNECTOR (SFV__R-1/2ST_HLF)
10117320(Sheet3)	CONNECTOR USED FOR FPC/FFC WITH 0.5mm CONTACT SPACING (SFV__R-1ST_HLF)
10117320(Sheet4)	CONNECTOR USED FOR FPC/FFC WITH 0.5mm CONTACT SPACING (SFV__R-2ST_HLF)
10117320(Sheet5)	CAT.NO.TABLE FOR PLASTIC TAPE PACKAGED 0.5mm CONTACT SPACING CONNECTOR (SFV__R-1/2STE9HLF)
10117320(Sheet6)	PLASTIC TAPE PACKAGED 0.5mm CONTACT SPACING CONNECTOR (SFV__R-1STE9HLF)
10117320(Sheet7)	PLASTIC TAPE PACKAGED 0.5mm CONTACT SPACING CONNECTOR (SFV__R-2STE9HLF)
10117320(Sheet8)	RECOMMENDED CABLE (FPC) (SFV__R-1/2ST__LF)
10117320(Sheet9)	RECOMMENDED CABLE (FFC) (SFV__R-1/2ST__LF)
GS-12-645	SPEC.
BJM-SFV101	HANDLING PROCEDURES

mat'l. code				surface ISO 1302 <input checked="" type="checkbox"/>		tolerance ISO 406 ISO 1101		projection 		product family 58EF		CODE JP	
ltr	ecn no	dr	date	tolerances unless otherwise specified				mm		title 0.5mm SPACING FPC CONNECTOR DOCUMENT LIST (Cat. No. : SFV__R-1/2STE9HLF)			
A	J11-0042	S.W	2011-2-10	angles	linear			scale \times		dwg no 10117320		sheet 1 of 9 size A4	
				dr	<i>S. White</i> 2011-2-10				type Product Customer Drawing				
				enr	<i>S. White</i> 2011-2-10								
				chr	<i>N. Kamei</i> 2011-2-10								
				appd	<i>M. Quid</i> Feb 10/11				Rev. A				
sheet index	revision sheet	A	A	A	A	A	A	A	A				

CAT. NO. & DIMENSIONS

NO. OF CONTACTS (n)	CAT. NO.	DIMENSIONS (NOTE2)			
		A ± 0.2	B ± 0.2	C ± 0.1	D ± 0.1
4	SFV4R-1/2ST__HLF	7.5	5.9	1.5	2.7
5	SFV5R-1/2ST__HLF	8.0	6.4	2.0	3.2
6	SFV6R-1/2ST__HLF	8.5	6.9	2.5	3.7
7	SFV7R-1/2ST__HLF	9.0	7.4	3.0	4.2
8	SFV8R-1/2ST__HLF	9.5	7.9	3.5	4.7
9	SFV9R-1/2ST__HLF	10.0	8.4	4.0	5.2
10	SFV10R-1/2ST__HLF	10.5	8.9	4.5	5.7
11	SFV11R-1/2ST__HLF	11.0	9.4	5.0	6.2
12	SFV12R-1/2ST__HLF	11.5	9.9	5.5	6.7
13	SFV13R-1/2ST__HLF	12.0	10.4	6.0	7.2
14	SFV14R-1/2ST__HLF	12.5	10.9	6.5	7.7
15	SFV15R-1/2ST__HLF	13.0	11.4	7.0	8.2
16	SFV16R-1/2ST__HLF	13.5	11.9	7.5	8.7
17	SFV17R-1/2ST__HLF	14.0	12.4	8.0	9.2
18	SFV18R-1/2ST__HLF	14.5	12.9	8.5	9.7
19	SFV19R-1/2ST__HLF	15.0	13.4	9.0	10.2
20	SFV20R-1/2ST__HLF	15.5	13.9	9.5	10.7
21	SFV21R-1/2ST__HLF	16.0	14.4	10.0	11.2
22	SFV22R-1/2ST__HLF	16.5	14.9	10.5	11.7
23	SFV23R-1/2ST__HLF	17.0	15.4	11.0	12.2
24	SFV24R-1/2ST__HLF	17.5	15.9	11.5	12.7
25	SFV25R-1/2ST__HLF	18.0	16.4	12.0	13.2
26	SFV26R-1/2ST__HLF	18.5	16.9	12.5	13.7
27	SFV27R-1/2ST__HLF	19.0	17.4	13.0	14.2
28	SFV28R-1/2ST__HLF	19.5	17.9	13.5	14.7
29	SFV29R-1/2ST__HLF	20.0	18.4	14.0	15.2
30	SFV30R-1/2ST__HLF	20.5	18.9	14.5	15.7
31	SFV31R-1/2ST__HLF	21.0	19.4	15.0	16.2
32	SFV32R-1/2ST__HLF	21.5	19.9	15.5	16.7
33	SFV33R-1/2ST__HLF	22.0	20.4	16.0	17.2
34	SFV34R-1/2ST__HLF	22.5	20.9	16.5	17.7
35	SFV35R-1/2ST__HLF	23.0	21.4	17.0	18.2



NOTES

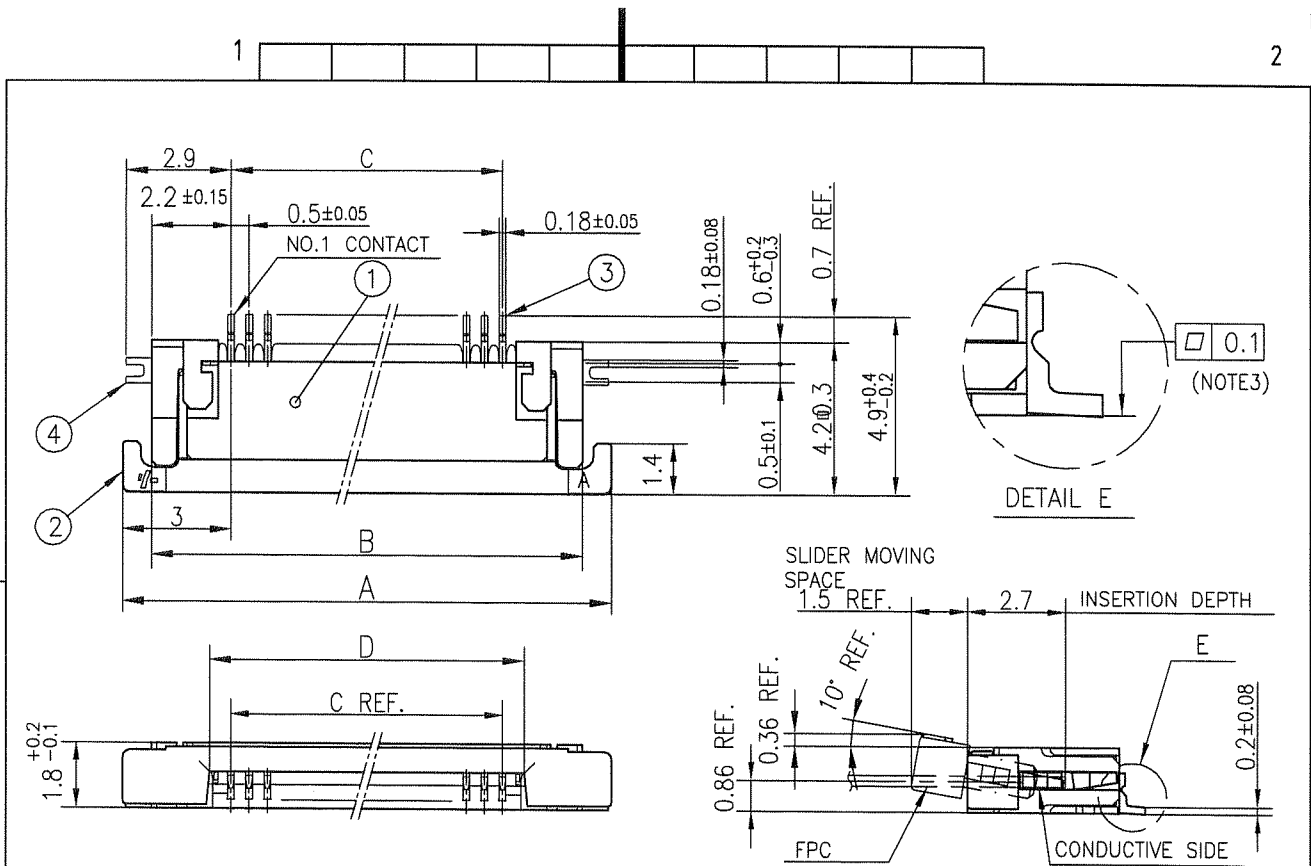
1. THIS PRODUCT IS THE CONNECTOR USED FOR FPC AND COPELS WITH AUTOMATIC MOUNTING (SMT).
2. SEE PART DRAWINGS FOR DIMENSIONS A~D.



FCIconnect.com

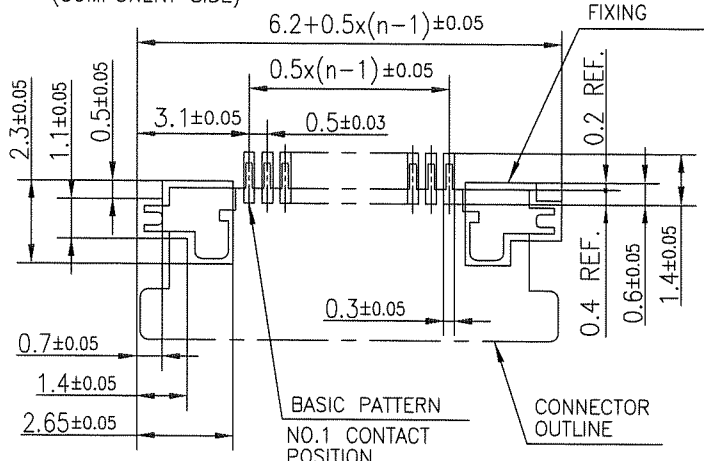
Copyright FCI.

mat'l. code		surface ISO 1302 <input checked="" type="checkbox"/>		tolerance ISO 406 ISO 1101		projection		product family 58EF		CODE JP	
ltr	ecn no	dr	date	tolerances unless otherwise specified		mm		title CAT. NO. TABLE FOR 0.5 mm CONTACT SPACING CONNECTOR (Cat. No. : SFV__R-1/2ST__HLF)			
A				angles	linear	scale X		dwg no 10117320		sheet 2 of 9 size A4	
				dr	<i>S. Nithala</i>	<i>2011-2-10</i>		type Product Customer Drawing		Rev. A	
				enr	<i>S. Nithala</i>	<i>2011-2-10</i>					
				chr	<i>Y. Samala</i>	<i>2011-2-10</i>					
				appd	<i>M. Anand</i>	<i>Feb 10 2011</i>					
sheet index	revision sheet										



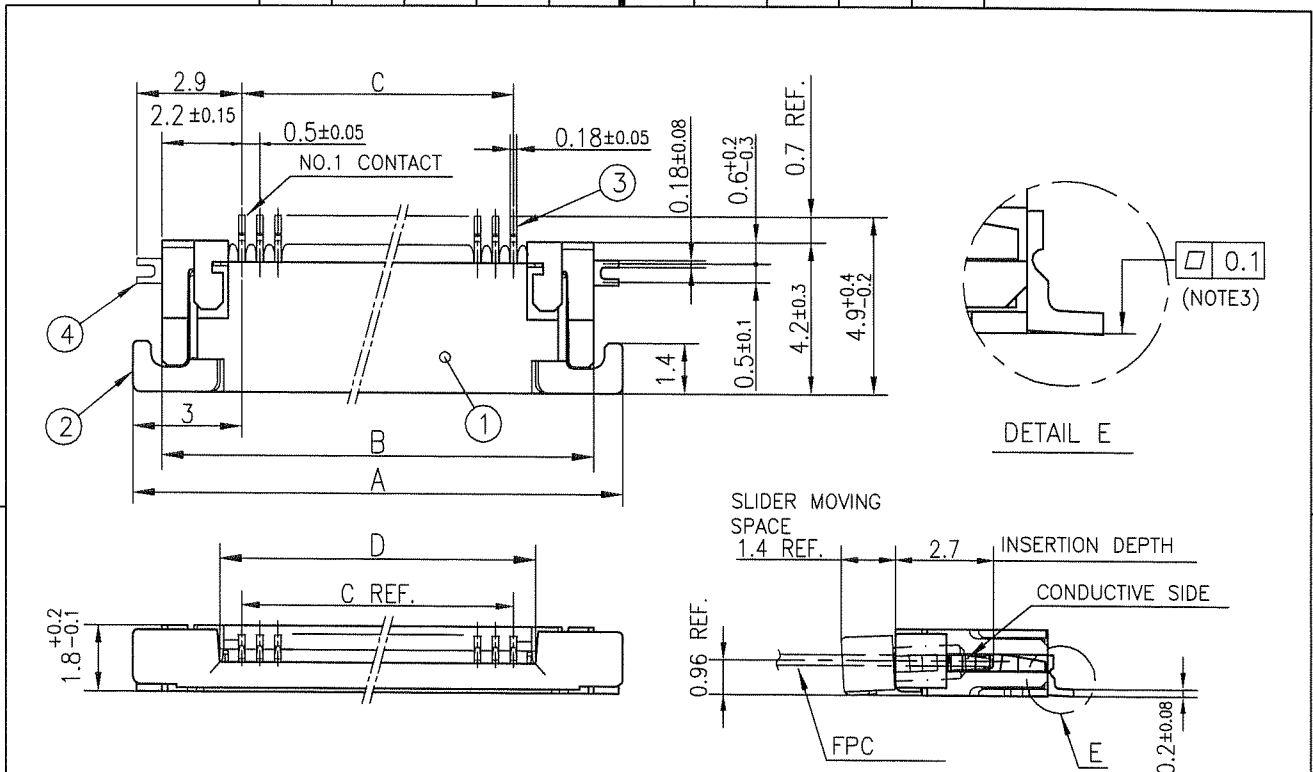
PT. NO.	PARTS NAME	MATERIAL	Q'TY	NOTE
1	HOUSING	13~35pin : LCP RESIN GLASS REINFORCED (UL94V-0)	1	COLOR : BLACK (HALOGEN FREE)
		4~12pin : POLYAMIDE RESIN GLASS REINFORCED (UL94V-0)		
2	SLIDER	PPS RESIN GLASS REINFORCED (UL94V-0)	1	COLOR : BLACK (HALOGEN FREE)
3	CONTACT	PHOSPHOR BRONZE	n	PLATING : MATTE PURE TIN Ni UNDER PLATED (LEAD FREE)
4	MOUNTING PLATE		2	

RECOMMENDED PC BOARD LAYOUT
(COMPONENT SIDE)



- NOTES
- THIS PRODUCT IS THE CONNECTOR USED FOR FPC AND CYPES WITH AUTOMATIC MOUNTING (SMT).
 - THIS PRODUCT IS LOWER CONTACT TYPE CONNECTOR.
 - FLATNESS OF CONTACT TERMINAL AND MOUNTING PLATE MUST BE WITHIN TOLERANCE IN E PORTION DETAILED DRAWING.
 - THIS PRODUCT MEETS EUROPEAN UNION DIRECTIVES AND OTHER COUNTRY REGULATIONS AS DESCRIBED IN GS-22-008.
 - THE HOUSING WILL WITHSTAND EXPOSURE TO 260°C PEAK TEMPERATURE FOR 10 SECONDS IN A REFLOW SOLDERING OVEN.

mat'l. code		surface ISO 1302		tolerance ISO 406		projection		product family 58EF		CODE JP	
ltr ecn no dr date		tolerances unless otherwise specified		ISO 1101		mm		title		CONNECTION USED FOR FPC WITH 0.5 mm CONTACT SPACING (Cat No. : SFV__R-1ST__HLF)	
A		angles linear		±0.2		scale X		dwg no		sheet 3 of 9 size	
		dr		S. Watarai 2011-2-10		FCI		10117320		A4	
		enr		S. Watarai 2011-2-10				type		Product Customer Drawing	
		chr		Y. Kamada 2011-2-10							
		appd		M. Ueda Feb 10 11							
sheet index		revision sheet								Rev. A	

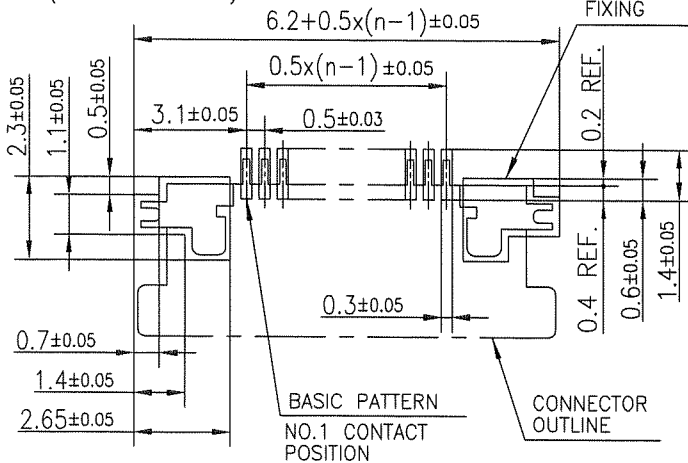


PT. NO.	PARTS NAME	MATERIAL	Q'TY	NOTE
1	HOUSING	13~35pin : LCP RESIN GLASS REINFORCED (UL94V-0)	1	COLOR : BLACK (HALOGEN FREE)
		4~12pin : POLYAMIDE RESIN GLASS REINFORCED (UL94V-0)		
2	SLIDER	PPS RESIN GLASS REINFORCED (UL94V-0)	1	COLOR : BLACK (HALOGEN FREE)
3	CONTACT	PHOSPHOR BRONZE	n	PLATING : MATTE PURE TIN Ni UNDER PLATED (LEAD FREE)
4	MOUNTING PLATE		2	

n : NO. OF CONTACTS

RECOMMENDED PC BOARD LAYOUT
(COMPONENT SIDE)

PATTERN FOR MOUNTING PLATE FIXING



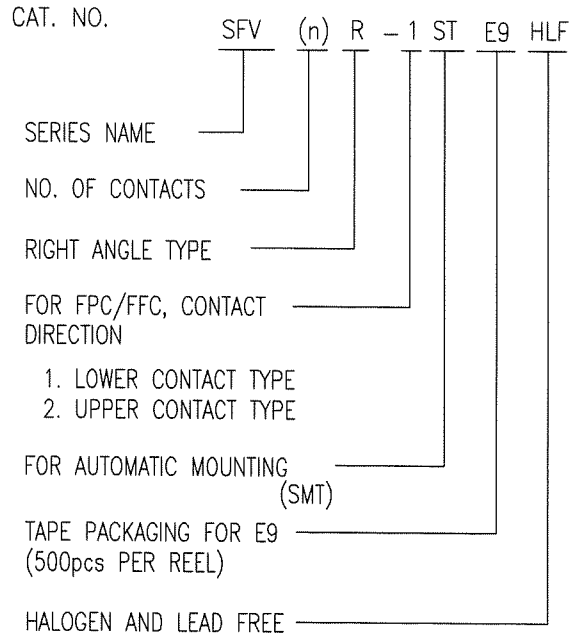
NOTES

1. THIS PRODUCT IS THE CONNECTOR USED FOR FPC AND COPES WITH AUTOMATIC MOUNTING (SMT).
2. THIS PRODUCT IS UPPER CONTACT TYPE CONNECTOR.
3. FLATNESS OF CONTACT TERMINAL AND MOUNTING PLATE MUST BE WITHIN TOLERANCE IN E PORTION DETAILED DRAWING.
4. THIS PRODUCT MEETS EUROPEAN UNION DIRECTIVES AND OTHER COUNTRY REGULATIONS AS DESCRIBED IN GS-22-008.
5. THE HOUSING WILL WITHSTAND EXPOSURE TO 260°C PEAK TEMPERATURE FOR 10 SECONDS IN A REFLOW SOLDERING OVEN.

mat'l. code		surface ISO 1302		tolerance ISO 406 ISO 1101		projection		product family 58EF		CODE JP	
ltr ecn no dr date		tolerances unless otherwise specified		angles linear ±0.2		mm		title		CONNECTOR USED FOR FPC WITH 0.5 mm CONTACT SPACING (Cat. No. : SFV__R-2ST__HLF)	
A						scale X		dwg no		sheet 4 of 9 size	
		dr		2011-2-10		FCJ		10117320		A4	
		enr		2011-2-10				type		Product Customer Drawing	
		chr		2011-2-10							
		appd		Feb 10 2011							
sheet index		revision sheet								Rev. A	

CAT. NO. & DIMENSIONS

NO. OF CONTACTS (n)	CAT. NO.	DIMENSIONS (NOTE3)		
		F MAX.	G ± 0.3	H ± 0.1
4	SFV4R-1/2STE9HLF	22.4	16	—
5	SFV5R-1/2STE9HLF	22.4	16	—
6	SFV6R-1/2STE9HLF	22.4	16	—
7	SFV7R-1/2STE9HLF	30.4	24	—
8	SFV8R-1/2STE9HLF	30.4	24	—
9	SFV9R-1/2STE9HLF	30.4	24	—
10	SFV10R-1/2STE9HLF	30.4	24	—
11	SFV11R-1/2STE9HLF	30.4	24	—
12	SFV12R-1/2STE9HLF	30.4	24	—
13	SFV13R-1/2STE9HLF	30.4	24	—
14	SFV14R-1/2STE9HLF	30.4	24	—
15	SFV15R-1/2STE9HLF	30.4	24	—
16	SFV16R-1/2STE9HLF	30.4	24	—
17	SFV17R-1/2STE9HLF	30.4	24	—
18	SFV18R-1/2STE9HLF	30.4	24	—
19	SFV19R-1/2STE9HLF	30.4	24	—
20	SFV20R-1/2STE9HLF	30.4	24	—
21	SFV21R-1/2STE9HLF	30.4	24	—
22	SFV22R-1/2STE9HLF	30.4	24	—
23	SFV23R-1/2STE9HLF	38.4	32	28.4
24	SFV24R-1/2STE9HLF	38.4	32	28.4
25	SFV25R-1/2STE9HLF	38.4	32	28.4
26	SFV26R-1/2STE9HLF	38.4	32	28.4
27	SFV27R-1/2STE9HLF	38.4	32	28.4
28	SFV28R-1/2STE9HLF	38.4	32	28.4
29	SFV29R-1/2STE9HLF	38.4	32	28.4
30	SFV30R-1/2STE9HLF	38.4	32	28.4
31	SFV31R-1/2STE9HLF	50.4	44	40.4
32	SFV32R-1/2STE9HLF	50.4	44	40.4
33	SFV33R-1/2STE9HLF	50.4	44	40.4
34	SFV34R-1/2STE9HLF	50.4	44	40.4
35	SFV35R-1/2STE9HLF	50.4	44	40.4



NOTES

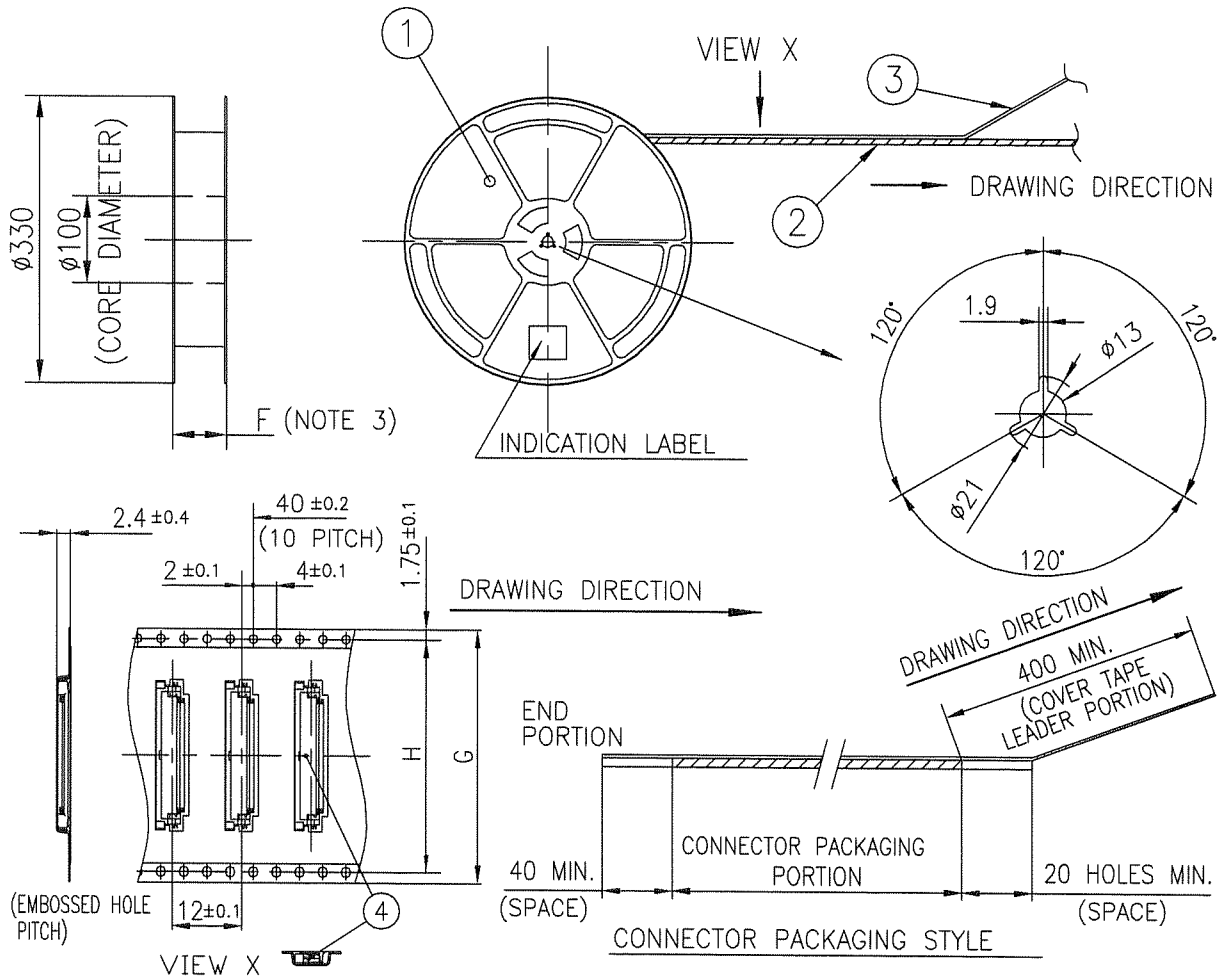
1. THIS PRODUCT IS THE CONNECTOR USED FOR FPC AND COPEs WITH AUTOMATIC MOUNTING (SMT).
2. THIS CATALOG NO. INDICATES PLASTIC TAPE PACKAGED CONNECTOR.
3. SEE PART DRAWINGS FOR DIMENSIONS F~H.



Copyright FCI.

mat'l. code			surface ISO 1302 <input checked="" type="checkbox"/>		tolerance ISO 406 <input checked="" type="checkbox"/>		projection		product family 58EF		CODE JP		
ltr ecn no dr date			tolerances unless otherwise specified		mm		scale \times		title CAT. NO. TABLE FOR PLASTIC TAPE PACKAGED 0.5 mm CONTACT SPACING CONNECTOR (Cat. No. : SFV__R-1/2STE9HLF)				
A			angles linear				FCI		dwg no 10117320		sheet 5 of 9 size A4		
			dr <i>S. Nishida 2011-2-10</i>						type Product Customer Drawing				
			enr <i>S. Nishida 2011-2-10</i>										
			chr <i>Y. Kameda 2011-2-10</i>										
			appd <i>M. Iwano Feb 10 11</i>										
sheet index		revision sheet										Rev. A	

TOLERANCES
UNLESS OTHERWISE SPECIFIED : ± 5 , ANGLE $\pm 5^\circ$



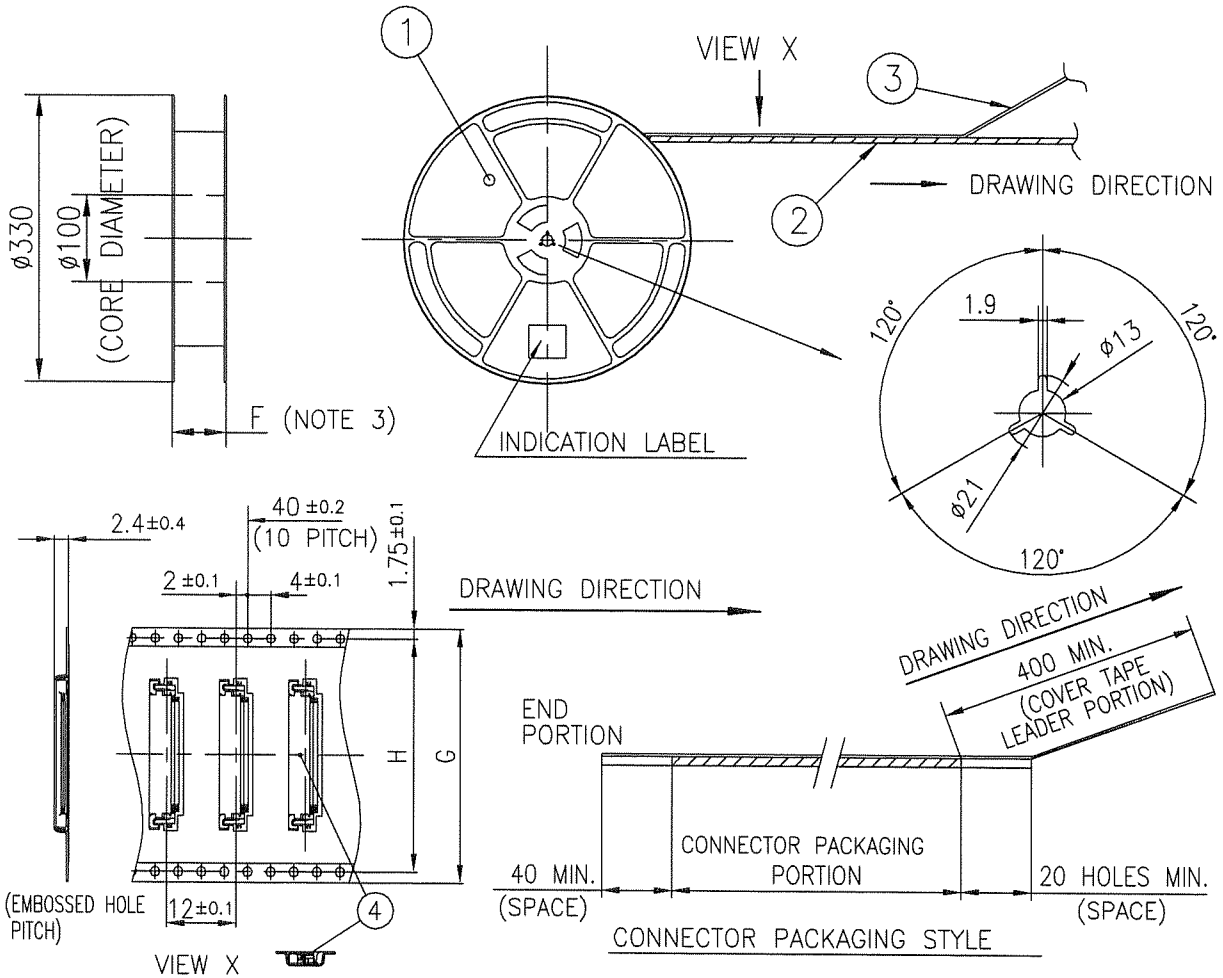
PT. NO.	PARTS NAME	CAT. NO.	MATERIAL	Q'TY	NOTE
1	REEL	_____	POLYSTYRENE	1	COLOR : BLACK
2	PLASTIC (EMBOSS) TAPE	_____	A-PET	_____	COLOR : TRANSPARENCY (CLEAR)
3	COVER	_____	POLYESTER	_____	COLOR : TRANSPARENCY (CLEAR)
4	CONNECTOR	SFV__R-1ST_HLF	SEE ATTACHED DWG.	500	LOWER CONTACT TYPE

NOTES

- THIS IS PLASTIC TAPE PACKAGED CONNECTOR USED FOR FPC AND COPES WITH AUTOMATIC MOUNTING (SMT).
- SEE JIS C 0806 (PACKING OF ELECTRONIC COMPONENTS ON CONTINUOUS TAPES (SURFACE MOUNTING DEVICES)) FOR SHAPE AND DIMENSIONS OF PLASTIC (EMBOSS) TAPE AND REEL.
- F DIMENSION IS PORTION OF THE CORE.

mat'l. code		surface ISO 1302 <input checked="" type="checkbox"/>		tolerance ISO 406 <input checked="" type="checkbox"/>		projection		product family 58EF		CODE JP	
ltr		ecn no		dr		date		title PLASTIC TAPE PACKAGED		0.5 mm CONTACT SPACING CONNECTOR	
A								(Cat. No. : SFV__R-1STE9HLF)			
				angles linear		mm		scale X		dwg no sheet 6 of 9 size	
				dr		2011-2-10		FCI		10117320 A4	
				enr		2011-2-10					
				chr		2011-2-10					
				appd		Feb 01/11					
sheet index		revision sheet						type Product Customer Drawing		Rev. A	

TOLERANCES
UNLESS OTHERWISE SPECIFIED : ± 5 , ANGLE $\pm 5^\circ$



PT. NO.	PARTS NAME	CAT. NO.	MATERIAL	Q'TY	NOTE
1	REEL	_____	POLYSTYRENE	1	COLOR : BLACK
2	PLASTIC (EMBOSS) TAPE	_____	A-PET	_____	COLOR : TRANSPARENCY (CLEAR)
3	COVER	_____	POLYESTER	_____	COLOR : TRANSPARENCY (CLEAR)
4	CONNECTOR	SFV_R-2ST_HLF	SEE ATTACHED DWG.	500	LOWER CONTACT TYPE

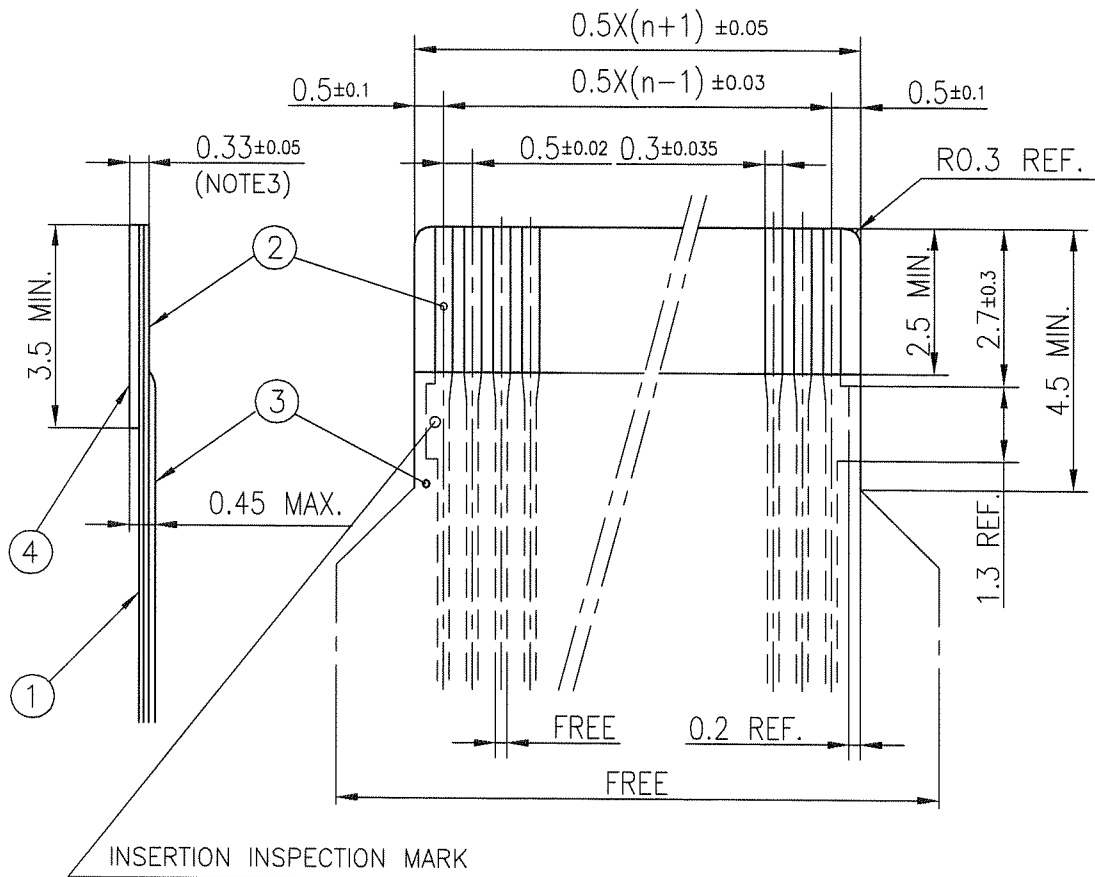
NOTES

- THIS IS PLASTIC TAPE PACKAGED CONNECTOR USED FOR FPC AND COPES WITH AUTOMATIC MOUNTING (SMT).
- SEE JIS C 0806 (PACKING OF ELECTRONIC COMPONENTS ON CONTINUOUS TAPES (SURFACE MOUNTING DEVICES)) FOR SHAPE AND DIMENSIONS OF PLASTIC (EMBOSS) TAPE AND REEL.
- F DIMENSION IS PORTION OF THE CORE.

mat'l. code		surface ISO 1302 <input checked="" type="checkbox"/>		tolerance ISO 406 <input checked="" type="checkbox"/>		projection		product family 58EF		CODE JP	
ltr		ecn no		dr		date		title		PLASTIC TAPE PACKAGED	
A								0.5 mm CONTACT SPACING CONNECTOR		(Cat. No. : SFV__R-2STE9HLF)	
				angles		linear		scale \times		dwg no	
								sheet 7 of 9		size	
				dr		2011-2-10		10117320		A4	
				enrg		2011-2-10		type		Product Customer Drawing	
				chr		2011-2-10					
				appd		Tejiou					
sheet index		revision sheet								Rev. A	

RECOMMENDED CABLE (FPC)

n : NO. OF CONTACTS



PT. NO.	PARTS NAME	MATERIAL	THICKNESS (um)
1	BASE FILM	POLYIMIDE OR POLYESTER OR EQUAL	25
2	CONDUCTOR	COPPER FOIL(PLATING : TIN or SOLDER 1um MIN.)	35
3	OVERLAY	POLYIMIDE OR POLYESTER OR EQUAL	—
4	SUPPORTING TAPE	POLYESTER OR POLYIMIDE OR EQUAL	188

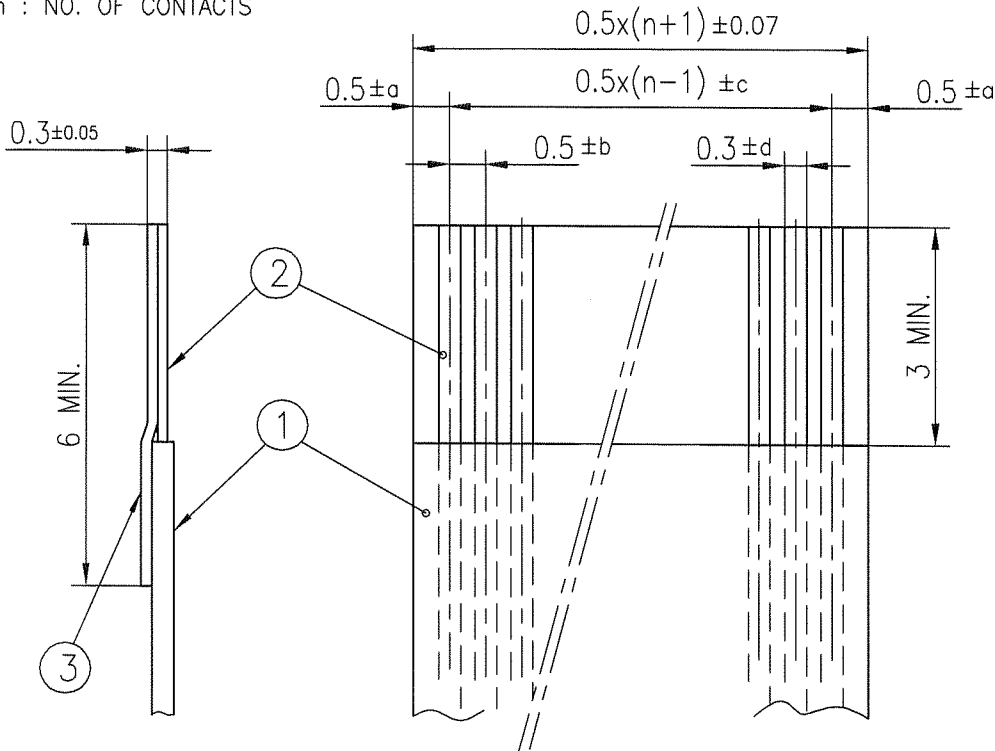
NOTES

1. NO BURR AT EACH PORTION.
2. NO PEELING IN COMMON USE.
3. TOTAL THICKNESS LIMIT OF EACH MATERIAL (INCLUDING ADHESIVE AGENT) IS SPECIFIED.

mat'l. code				surface ISO 1302 <input checked="" type="checkbox"/> tolerance ISO 406 <input checked="" type="checkbox"/> ISO 1101		projection		product family 58EF		CODE JP	
ltr ecn no dr date				tolerances unless otherwise specified		mm		title			
A				angles linear		scale X		RECOMMENDED CABLE (Cat. No. : SFV__R-1/2ST__)			
				dr <i>S. Watanabe</i> 2011-2-10				dwg no		sheet 8 of 9 size	
				enr <i>S. Watanabe</i> 2011-2-10				10112793		A4	
				chr <i>M. Komatsu</i> 2011-2-10				type Product Customer Drawing			
				appd <i>M. Komatsu</i> Feb 04						Rev. A	
sheet index		revision sheet									

RECOMMENDED CABLE (FFC)

n : NO. OF CONTACTS



KIND OF FFC (NOTE3)	DIMENSIONAL TOLERANCE			
	a	b	c	d
1	±0.07	±0.04	±0.05	±0.02
2	±0.1	±0.03	±0.03	±0.025

PT. NO.	PARTS NAME	MATERIAL	NOTE
1	INSULATOR	FLAME RESISTING POLYESTER OR EQUAL	_____
2	CONDUCTOR	COPPER FOIL:THICKNESS 35 OR 50um	PLATING : TIN OR SOLDER 1um MIN.
3	SUPPORTING TAPE	FLAME RESISTING POLYESTER OR EQUAL	_____

NOTES

1. NO BURR AT EACH PORTION.
2. NO PEELING IN COMMON USE.
3. EITHER KIND1 OR KIND2 OF FFC CAN ACCEPT DIMENSIONAL TOLERANCE a,b,c AND d.

mat'l. code			surface ISO 1302 <input checked="" type="checkbox"/> ISO 406 <input checked="" type="checkbox"/> ISO 1101		tolerance		projection		product family 58EF		CODE JP		
ltr ecn no dr date			tolerances unless otherwise specified		mm		mm		title				
A			angles linear		mm		scale X		RECOMMENDED CABLE (Cat. No. : SFV__R-1/2ST__LF)				
			dr S. Nishida 2011-2-10		FCI		dwg no		sheet 9 of 9		size		
			enr S. Nishida 2011-2-10				10117320				A4		
			chr Y. Kamada 2011-2-10										
			appd M. Arita Feb 10/11										
sheet index		revision sheet										Rev. A	



FCIconnect.com

Copyright FCI.