

Slim Safety Door Switches with IP67 Rating

- Slim design with a width of only 17 mm (three-contact models).
- Reversible design allowing either front or rear mounting.
- Built-in Switches with two- or three-terminal contact construction are available.
- Operation Key with rubber mounting hole to absorb vibration and shock.
- IP67 degree of protection.

 Be sure to read the "Safety Precautions" on page 9.



For the most recent information on models that have been certified for safety standards, refer to your OMRON website.

Model Number Structure

Model Number Legend

Switch

D4GS-N□□-□
1 2 3

- | | | |
|---|--|--|
| 1. Built-in Switch
1: 1NC/1NO (slow-action)
2: 2NC (slow-action)
3: 2NC/1NO (slow-action)
4: 3NC (slow-action) | 2. Direction of Operation Key Insertion
R: Horizontal
T: Vertical | 3. Cable Length
Blank: 1 m
3: 3 m
5: 5 m |
|---|--|--|

Operation Key

D4GS-NK□
1

- | |
|--|
| 1. Operation Key Type
1: Horizontal mounting
2: Vertical mounting
4: Adjustable mounting (Vertical upward)
4-2: Adjustable mounting (Vertical downward) |
|--|



Ordering Information

List of Models




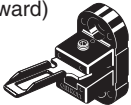
Switches (Operation Keys are sold separately.)

 : Models with certified direct opening contacts.

Consult with your OMRON representative when ordering any models that are not listed in this table.

Appearance	Direction of Operation Key insertion	Cable length	1NC/1NO (Slow-action)	2NC (Slow-action)	2NC/1NO (Slow-action)	3NC (Slow-action)
	Horizontal	1 m	D4GS-N1R	D4GS-N2R	D4GS-N3R	D4GS-N4R
		3 m	D4GS-N1R-3	D4GS-N2R-3	D4GS-N3R-3	D4GS-N4R-3
		5 m	D4GS-N1R-5	D4GS-N2R-5	D4GS-N3R-5	D4GS-N4R-5
	Vertical	1 m	D4GS-N1T	D4GS-N2T	D4GS-N3T	D4GS-N4T
		3 m	D4GS-N1T-3	D4GS-N2T-3	D4GS-N3T-3	D4GS-N4T-3
		5 m	D4GS-N1T-5	D4GS-N2T-5	D4GS-N3T-5	D4GS-N4T-5

Operation Keys

Type	Model	Type	Model
Horizontal mounting 	D4GS-NK1	Adjustable mounting (Vertical upward) 	D4GS-NK4
Vertical mounting 	D4GS-NK2	Adjustable mounting (Vertical downward) 	D4GS-NK4-2

Specifications

Standards and EC Directives

Conforms to the following EC Directives:

- Machinery Directive
- Low Voltage Directive
- EN ISO 14119
- EN60204-1
- GS-ET-15

Certified Standards

Certification body	Standard	File No.
TÜV SÜD	EN60947-5-1 (certified direct opening)	Consult your OMRON representative for details.
UL *	UL508 CSA C22.2 No. 14	E76675
CQC (CCC)	GB14048.5	2003010305064262

* Certification for CSA C22.2 No. 14 is authorized by the UL mark.

Certified Standard Ratings

TÜV (EN60947-5-1), CCC (GB14048.5)

Item	Utilization category	AC-15	DC-13
Rated operating current (I _e)		0.75 A	0.27 A
Rated operating voltage (U _e)		240 V	250 V

Note: Use a 10 A fuse type gI or gG that conforms to IEC60269 as a short-circuit protection device.

UL/CSA (UL508, CSA C22.2 No. 14)

C300

Rated voltage	Carry current	Current (A)		Volt-amperes (VA)	
		Make	Break	Make	Break
120 VAC	2.5 A	15	1.5	1,800	180
240 VAC		7.5	0.75		

Q300

Rated voltage	Carry current	Current (A)		Volt-amperes (VA)	
		Make	Break	Make	Break
125 VDC	2.5 A	0.55	0.55	69	69
250 VDC		0.27	0.27		

Characteristics

Degree of protection *1		IP67 (EN60947-5-1)
Durability *2	Mechanical	1,000,000 operations min.
	Electrical	100,000 operations min. (1 A resistive load at 125 VAC) *3
Operating speed		0.1 to 0.5 m/s
Operating frequency		30 operations/minute max.
Direct opening force *4		60 N min.
Direct opening travel *4		10 mm min.
Contact resistance		300 mΩ max. (with 1 m cable) 500 mΩ max. (with 3 m cable) 700 mΩ max. (with 5 m cable)
Minimum applicable load *5		Resistive load of 4 mA at 24 VDC (N-level reference value)
Rated insulation voltage (U_i)		250 V
Rated frequency		50/60 Hz
Protection against electric shock		Class II (double insulation) (IEC60536)
Pollution degree (operating environment)		3 (EN60947-5-1)
Impulse withstand voltage (EN60947-5-1)	Between terminals of same polarity	2.5 kV
	Between terminals of different polarity	4 kV
	Between each terminal and non-current carrying metallic parts	6 kV
Insulation resistance		100 MΩ min. (at 500 VDC) between terminals of the same polarities, between terminals of different polarities, and between each terminal and non-current carrying metal parts
Contact gap		2 × 2 mm min.
Vibration resistance	Malfunction	10 to 55 Hz, 0.35 mm single amplitude
Shock resistance	Destruction	1,000 m/s ² min.
	Malfunction	300 m/s ² min.
Conditional short-circuit current		100 A (EN60947-5-1)
Conventional free air thermal current (I_{th})		2.5 A (EN60947-5-1)
Ambient operating temperature		-30 to 70°C (with no icing)
Ambient operating humidity		95% max.
Cable		UL2464 No. 22 AWG, finishing O.D.: 7.2 mm
Weight		Approx. 120 g (D4GS-N1R, with 1 m cable)

Note: 1. The above values are initial values.

2. The Switch contacts can be used with either standard loads or microloads. Once the contacts have been used to switch a load, however, they cannot be used to switch smaller loads. The contact surfaces will become rough once they have been used and contact reliability for smaller loads may be reduced.

***1.** The degree of protection shown above is based on the test method specified in EN60947-5-1. Be sure to confirm in advance the sealing performance under the actual operating environment and conditions.

Although the switch box is protected from dust, oil, or water penetration, do not use the D4GS-N in places where dust, oil, water, or chemicals may enter through the key hole on the head, otherwise Switch damage or malfunctioning may occur.

***2.** The durability conditions are an ambient temperature of 5 to 35°C and an ambient humidity of 40% to 70%. For more details, consult your OMRON representative.

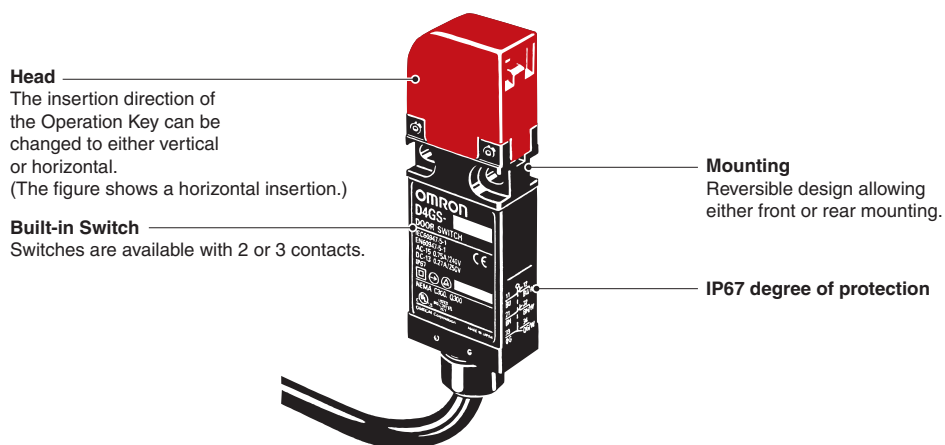
***3.** When the ambient temperature is 35°C or higher, do not apply 1 A at 125 VAC to more than one circuit.

***4.** These figures are minimum requirements for safe operation.

***5.** The value given for minimum applicable load is a reference value for microloads. The value will vary depending on factors such as the switching frequency, the ambient environment, and the reliability level. Be sure to confirm correct operation with the actual load before application.

Structure and Nomenclature

Structure



Contact Form (Diagrams Show State with Key Inserted.)

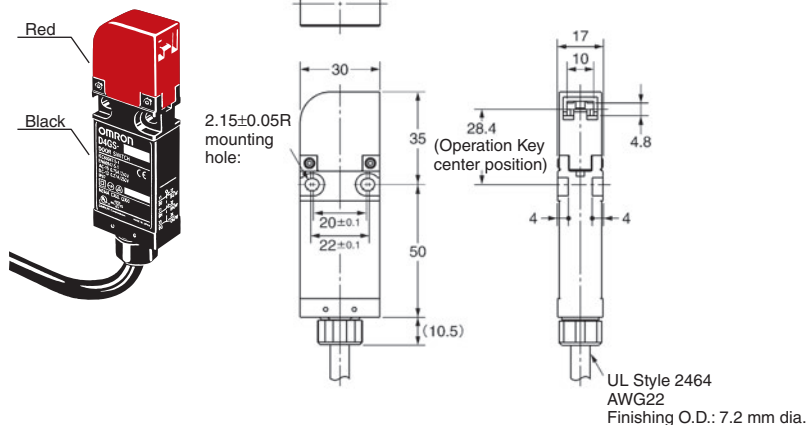
Model	Contact	Contact form	Operating pattern	Remarks
D4GS-N1□-□	1NC/1NO			Only NC contact 11-12 has a certified direct opening mechanism. The terminals 11-12 and 33-34 can be used as unlike poles.
D4GS-N2□-□	2NC			NC contacts 11-12 and 31-32 have a certified direct opening mechanism. The terminals 11-12 and 31-32 can be used as unlike poles.
D4GS-N3□-□	2NC/1NO			Only NC contacts 11-12 and 21-22 have a certified direct opening mechanism. The terminals 11-12, 21-22 and 33-34 can be used as unlike poles.
D4GS-N4□-□	3NC			NC contacts 11-12, 21-22 and 31-32 have a certified direct opening mechanism. The terminals 11-12, 21-22 and 31-32 can be used as unlike poles.

Note: The terminal numbers are according to EN50013, and the contact symbols are according to IEC 60947-5-1.

Dimensions and Operating Characteristics

Switches

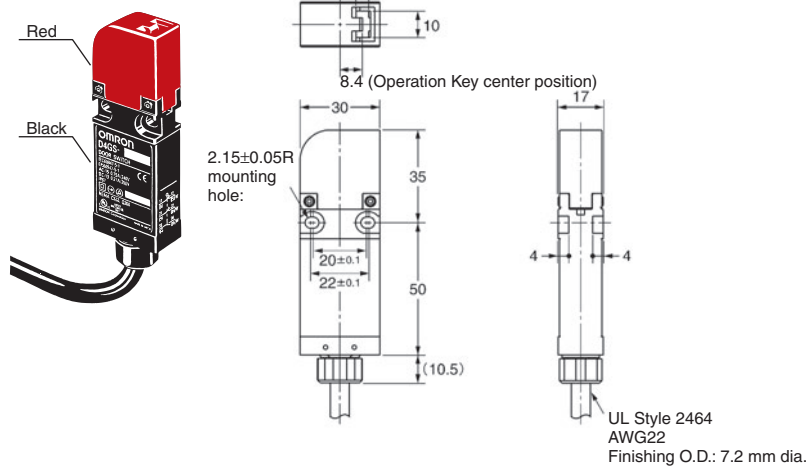
D4GS-N□R-□



Operating characteristics

Key insertion force	15 N max.
Key extraction force	30 N max.
Pretravel (PT)	6.8±3 mm
Movement before being locked	(22 mm)
Direct opening force	60 N min.
Direct opening stroke	10 mm min.

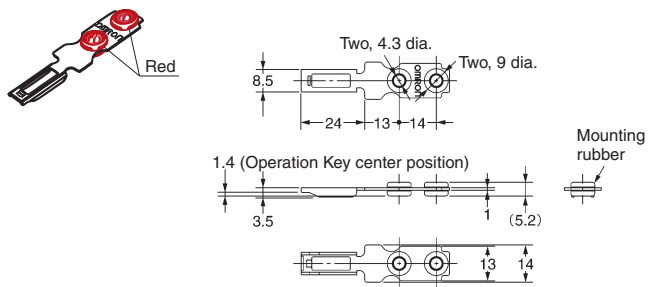
D4GS-N□T-□



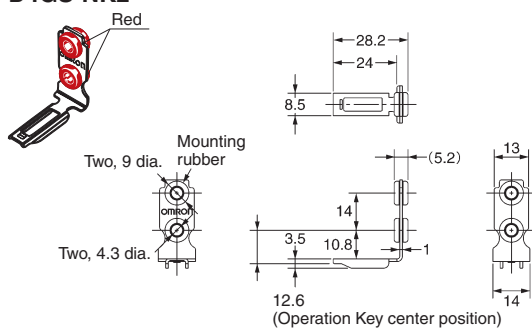
- Note:**
1. Unless otherwise specified, a tolerance of ± 0.4 mm applies to all dimensions. Dimensions in parentheses are reference values.
 2. There are fluctuations in the contact ON/OFF timing for Switches with multiple poles (2NC, 2NC/1NO, or 3NC). Confirm performance before application.

Operation Keys

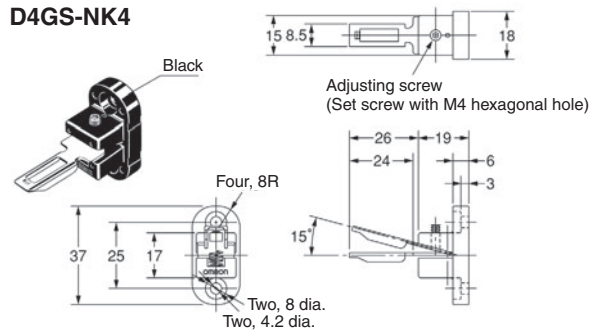
D4GS-NK1



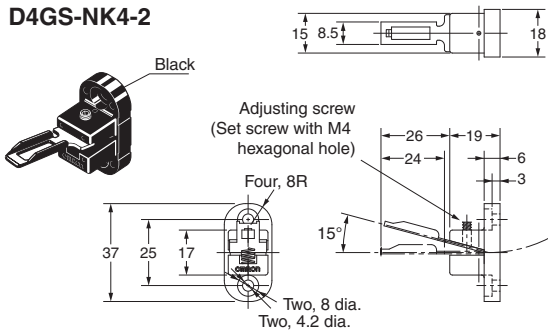
D4GS-NK2



D4GS-NK4



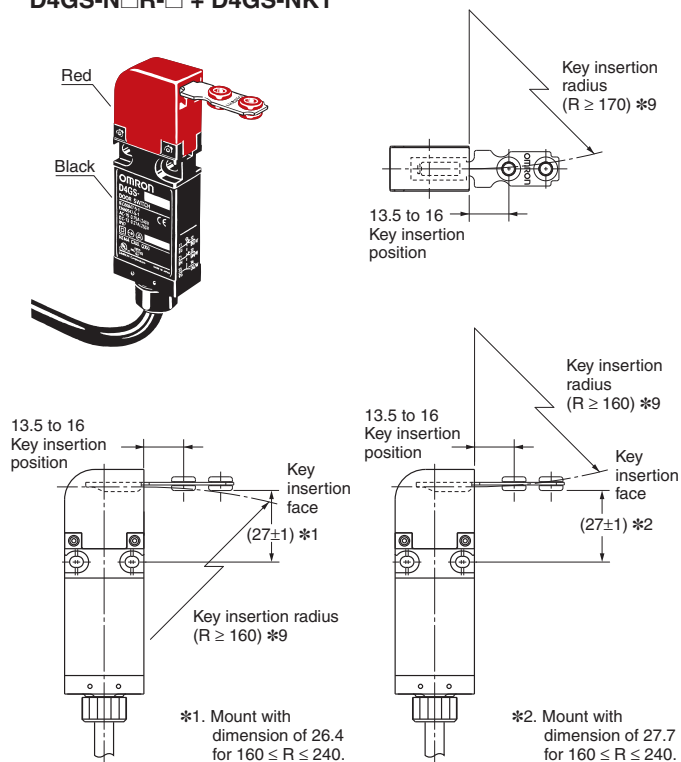
D4GS-NK4-2



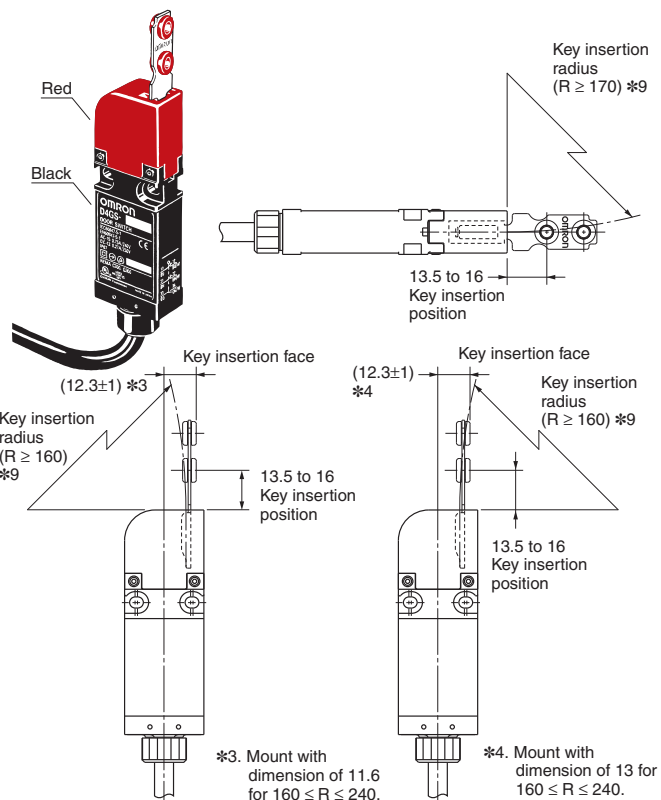
Note: Unless otherwise specified, a tolerance of ± 0.4 mm applies to all dimensions. Dimensions in parentheses are reference values.

With Operation Key Inserted

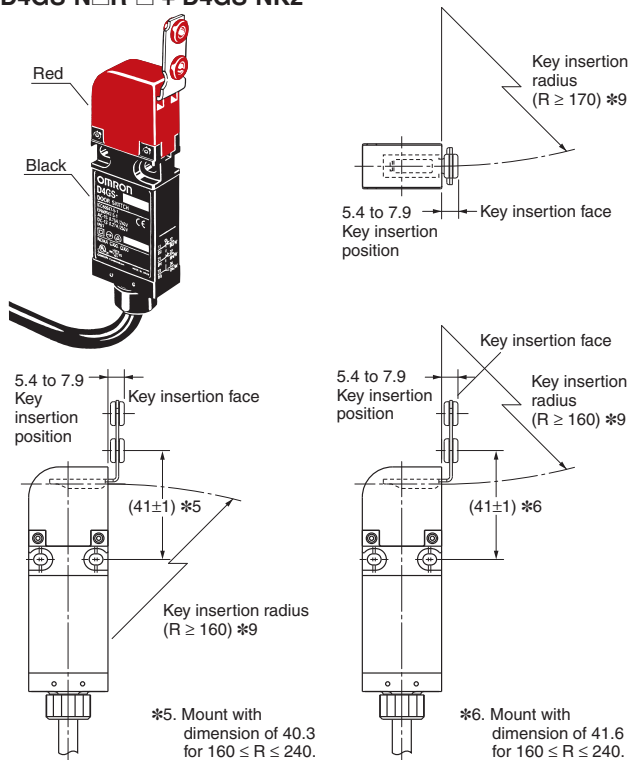
D4GS-N□R-□ + D4GS-NK1



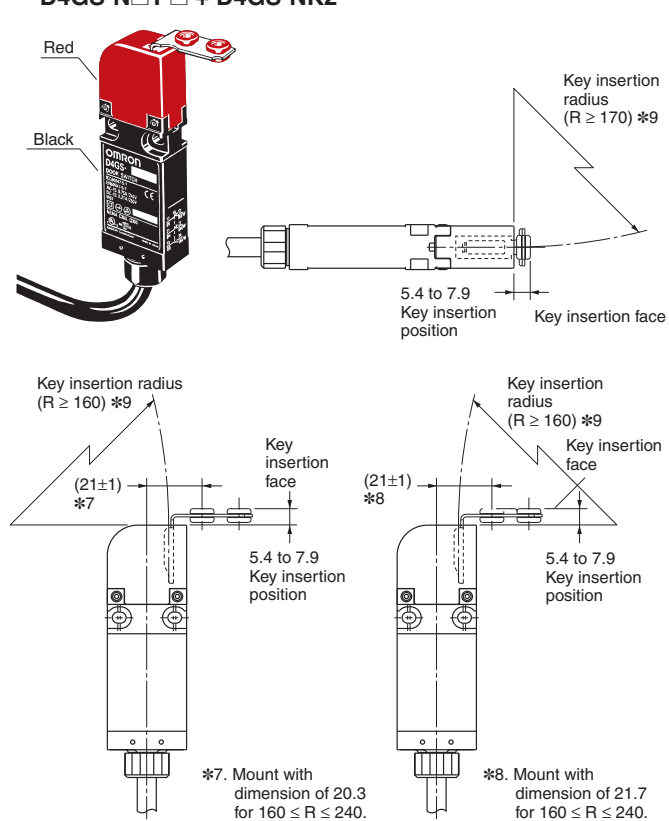
D4GS-N□T-□ + D4GS-NK1



D4GS-N□R-□ + D4GS-NK2

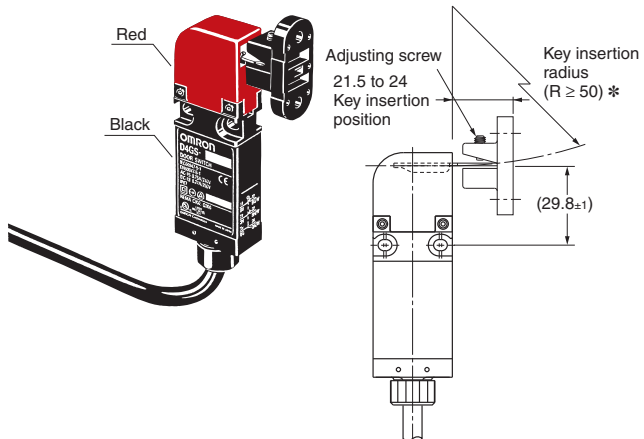


D4GS-N□T-□ + D4GS-NK2



Note: Unless otherwise specified, a tolerance of ± 0.4 mm applies to all dimensions. Dimensions in parentheses are reference values.
*9. Insertion radii apply when the rotational center of the Operation Key is in line with a line extending from the front or top Head surface.

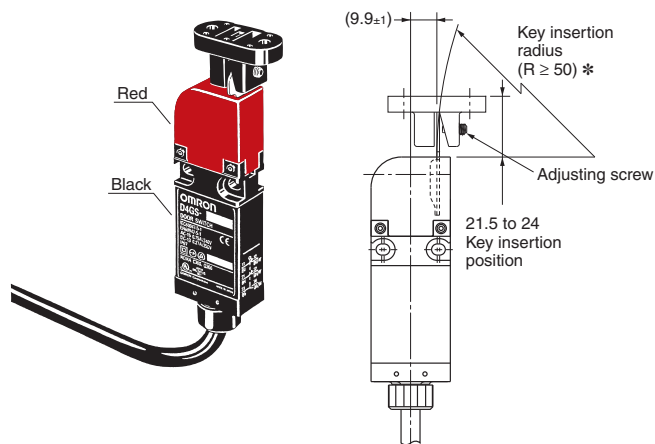
D4GS-N□R□ + D4GS-NK4



Note 1: When determining the operation key insertion radius, adjust the adjusting screw so that the tip of the operation key is positioned to the center of the key insertion hole of the Switch.

Note 2: The operation key cannot be inserted or adjusted in a direction different from the one shown above. Use the D4GS-NK1 or D4GS-NK2 if necessary.

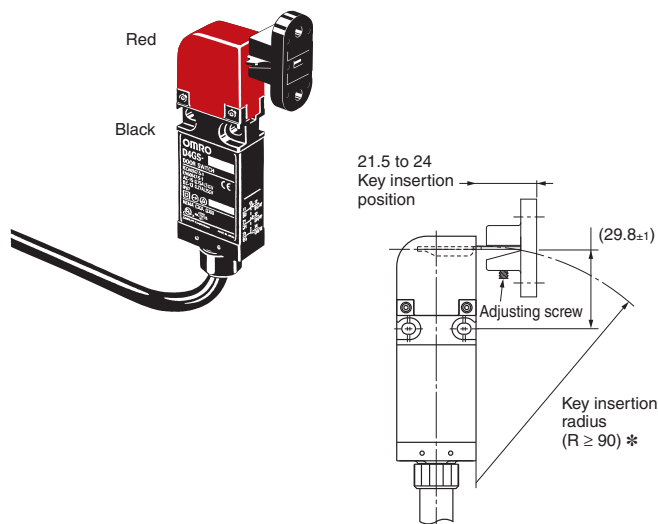
D4GS-N□T□ + D4GS-NK4



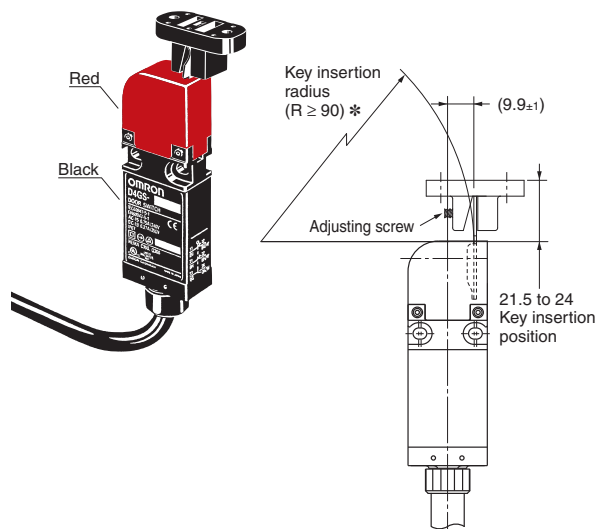
Note 1: When determining the operation key insertion radius, adjust the adjusting screw so that the tip of the operation key is positioned to the center of the key insertion hole of the Switch.

Note 2: The operation key cannot be inserted or adjusted in a direction different from the one shown above. Use the D4GS-NK1 or D4GS-NK2 if necessary.

D4GS-N□R□ + D4GS-NK4-2



D4GS-N□T□ + D4GS-NK4-2



Note: Unless otherwise specified, a tolerance of ± 0.4 mm applies to all dimensions. Dimensions in parentheses are reference values.
 * Insertion radii apply when the rotational center of the Operation Key is in line with a line extending from the front or top Head surface.

Safety Precautions

Be sure to read the precautions for **All Safety Door Switches** in the website at: <http://www.ia.omron.com/>.

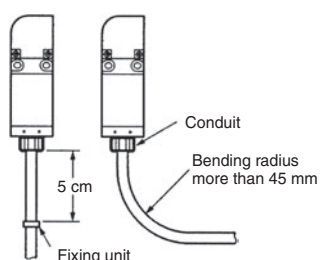
Precautions for Safe Use

Supplementary comments on what to do or avoid doing, to use the product safely.

- Do not use the Switch submersed in oil or water or in locations continuously subject to splashes of oil or water. Doing so may result in oil or water entering the Switch. (The IP67 degree of protection of the Switch specifies the amount of water penetration after the Switch is submerged in water for a certain period of time.)
- Although the Switch body is protected from the ingress of dust or water, the head is not protected. Do not allow foreign substance to enter through the head. Otherwise, accelerated wear or breaking may result.
- Do not switch circuits for two or more standard loads (125 VAC, 1 A). Doing so may adversely affect insulation performance.
- Do not use the D4GS-N□ Switch or D4GS-NK□ Operation Key (rubber color: red) in combination with the D4GS-□ Switch or D4GS-K□ Operation Key (rubber color: black).

Handling Cables

- Cables must not be bent repeatedly.
- A cable is fixed with sealing materials on the bottom of the D4GS-N. When excessive force may be imposed on the cable, fix the cable with a fixing unit at the distance of 5 cm from the bottom of the D4GS-N as shown.
- When bending the cable, secure the cable with more than 45 mm bending radius so as not to cause damage to the insulator or sheath of the cable. Otherwise, fire or electrical shock may result.



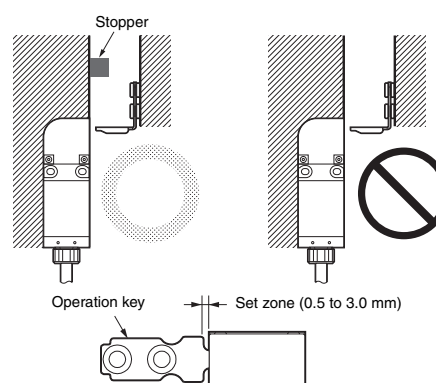
- Do not fasten or loosen the conduit at the bottom of the D4GS-N.
- When wiring, be sure not to allow a liquid such as water or oil into the tip of cable.

Stopper Installation

Do not use a Switch as a stopper.

Be sure to install a stopper as shown in the following illustration when mounting the Switch and adjust the stopper so that the Operation Key is within the setting zone.

Do not subject the Switch to a shock that exceeds the Switch's shock resistance of 1,000 m/s².



Precautions for Correct Use

Supplementary comments on what to do or avoid doing, to prevent failure to operate, malfunction or undesirable effect on product performance.

The Switch contacts can be used with either standard loads or microloads. Once the contacts have been used to switch a load, however, they cannot be used to switch smaller loads. The contact surfaces will become rough once they have been used and contact reliability for smaller loads may be reduced.

Mounting Methods

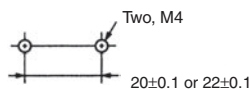
Appropriate Tightening Torque

- Loose screws may result in malfunction. Tighten the screws to the specified torques.

Type	Torque	Size
Body mounting screw	0.75 to 1.15 N·m	M4 screw
Operation Key mounting screw	0.75 to 1.15 N·m	M4 screw

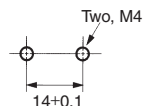
- Use the specified sizes of mounting screws flat or spring washers to mount the Switch and Operation Key, and tighten the screws to the proper tightening torque. To ensure safety, use screws that cannot be easily removed or another means to prevent the Switch and Operation Key from easily being removed.

Mounting Hole Dimensions for Switches

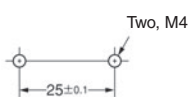


Mounting Hole Dimensions for Operation Keys

D4GS-NK1/NK2

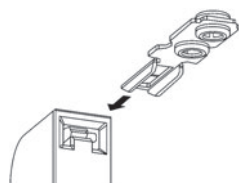


D4GS-NK4/NK4-2



Operation Key

- As shown below, mount the Operation Key after matching the concave surface of the Operation Key with the convex surface of the insertion face.

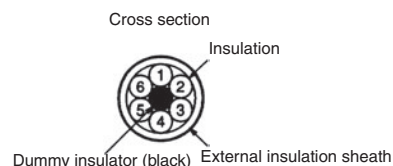


- Depending on the conditions in which the Switch is used, the rubber of the Operation Key may deteriorate. If the rubber becomes deformed or cracked, replace it as soon as possible.

Wiring

Identifying Wires

Identify wires according to the color (with or without white lines) of the insulation on the wire.



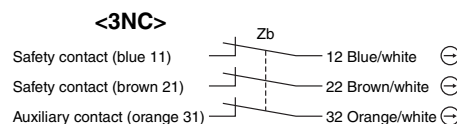
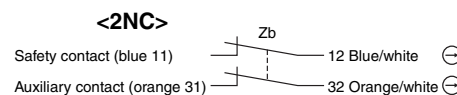
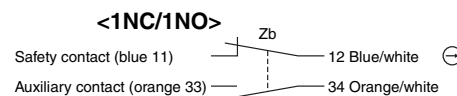
Core Insulator Colors

Blue/white, Brown/white, Orange/white, Orange, Brown, and Blue

Example: Orange/white is an orange insulator with a white line.

Terminal Numbers

- Identify terminal numbers based on the color of the insulation on the wire.
- The safety and auxiliary contacts of D4GS-N models of three-terminal contact construction and those of two-terminal contact construction are described below. The following shows contact form with key inserted.
- The auxiliary contacts (orange) can be used as safety contacts.
- The safety contacts are direct opening contacts certified by EN and each of them is indicated with the mark \ominus .



- Cut the black dummy insulator and all unused wires at the end of the external insulation sheath when wiring the cable.

Terms and Conditions Agreement

Read and understand this catalog.

Please read and understand this catalog before purchasing the products. Please consult your OMRON representative if you have any questions or comments.

Warranties.

(a) Exclusive Warranty. Omron's exclusive warranty is that the Products will be free from defects in materials and workmanship for a period of twelve months from the date of sale by Omron (or such other period expressed in writing by Omron). Omron disclaims all other warranties, express or implied.

(b) Limitations. OMRON MAKES NO WARRANTY OR REPRESENTATION, EXPRESS OR IMPLIED, ABOUT NON-INFRINGEMENT, MERCHANTABILITY OR FITNESS FOR A PARTICULAR PURPOSE OF THE PRODUCTS. BUYER ACKNOWLEDGES THAT IT ALONE HAS DETERMINED THAT THE PRODUCTS WILL SUITABLY MEET THE REQUIREMENTS OF THEIR INTENDED USE.

Omron further disclaims all warranties and responsibility of any type for claims or expenses based on infringement by the Products or otherwise of any intellectual property right. (c) Buyer Remedy. Omron's sole obligation hereunder shall be, at Omron's election, to (i) replace (in the form originally shipped with Buyer responsible for labor charges for removal or replacement thereof) the non-complying Product, (ii) repair the non-complying Product, or (iii) repay or credit Buyer an amount equal to the purchase price of the non-complying Product; provided that in no event shall Omron be responsible for warranty, repair, indemnity or any other claims or expenses regarding the Products unless Omron's analysis confirms that the Products were properly handled, stored, installed and maintained and not subject to contamination, abuse, misuse or inappropriate modification. Return of any Products by Buyer must be approved in writing by Omron before shipment. Omron Companies shall not be liable for the suitability or unsuitability or the results from the use of Products in combination with any electrical or electronic components, circuits, system assemblies or any other materials or substances or environments. Any advice, recommendations or information given orally or in writing, are not to be construed as an amendment or addition to the above warranty.

See <http://www.omron.com/global/> or contact your Omron representative for published information.

Limitation on Liability; Etc.

OMRON COMPANIES SHALL NOT BE LIABLE FOR SPECIAL, INDIRECT, INCIDENTAL, OR CONSEQUENTIAL DAMAGES, LOSS OF PROFITS OR PRODUCTION OR COMMERCIAL LOSS IN ANY WAY CONNECTED WITH THE PRODUCTS, WHETHER SUCH CLAIM IS BASED IN CONTRACT, WARRANTY, NEGLIGENCE OR STRICT LIABILITY.

Further, in no event shall liability of Omron Companies exceed the individual price of the Product on which liability is asserted.

Suitability of Use.

Omron Companies shall not be responsible for conformity with any standards, codes or regulations which apply to the combination of the Product in the Buyer's application or use of the Product. At Buyer's request, Omron will provide applicable third party certification documents identifying ratings and limitations of use which apply to the Product. This information by itself is not sufficient for a complete determination of the suitability of the Product in combination with the end product, machine, system, or other application or use. Buyer shall be solely responsible for determining appropriateness of the particular Product with respect to Buyer's application, product or system. Buyer shall take application responsibility in all cases.

NEVER USE THE PRODUCT FOR AN APPLICATION INVOLVING SERIOUS RISK TO LIFE OR PROPERTY OR IN LARGE QUANTITIES WITHOUT ENSURING THAT THE SYSTEM AS A WHOLE HAS BEEN DESIGNED TO ADDRESS THE RISKS, AND THAT THE OMRON PRODUCT(S) IS PROPERLY RATED AND INSTALLED FOR THE INTENDED USE WITHIN THE OVERALL EQUIPMENT OR SYSTEM.

Programmable Products.

Omron Companies shall not be responsible for the user's programming of a programmable Product, or any consequence thereof.

Performance Data.

Data presented in Omron Company websites, catalogs and other materials is provided as a guide for the user in determining suitability and does not constitute a warranty. It may represent the result of Omron's test conditions, and the user must correlate it to actual application requirements. Actual performance is subject to the Omron's Warranty and Limitations of Liability.

Change in Specifications.

Product specifications and accessories may be changed at any time based on improvements and other reasons. It is our practice to change part numbers when published ratings or features are changed, or when significant construction changes are made. However, some specifications of the Product may be changed without any notice. When in doubt, special part numbers may be assigned to fix or establish key specifications for your application. Please consult with your Omron's representative at any time to confirm actual specifications of purchased Product.

Errors and Omissions.

Information presented by Omron Companies has been checked and is believed to be accurate; however, no responsibility is assumed for clerical, typographical or proofreading errors or omissions.

2017.1

In the interest of product improvement, specifications are subject to change without notice.

OMRON Corporation
Industrial Automation Company

<http://www.ia.omron.com/>

(c)Copyright OMRON Corporation 2017 All Right Reserved.