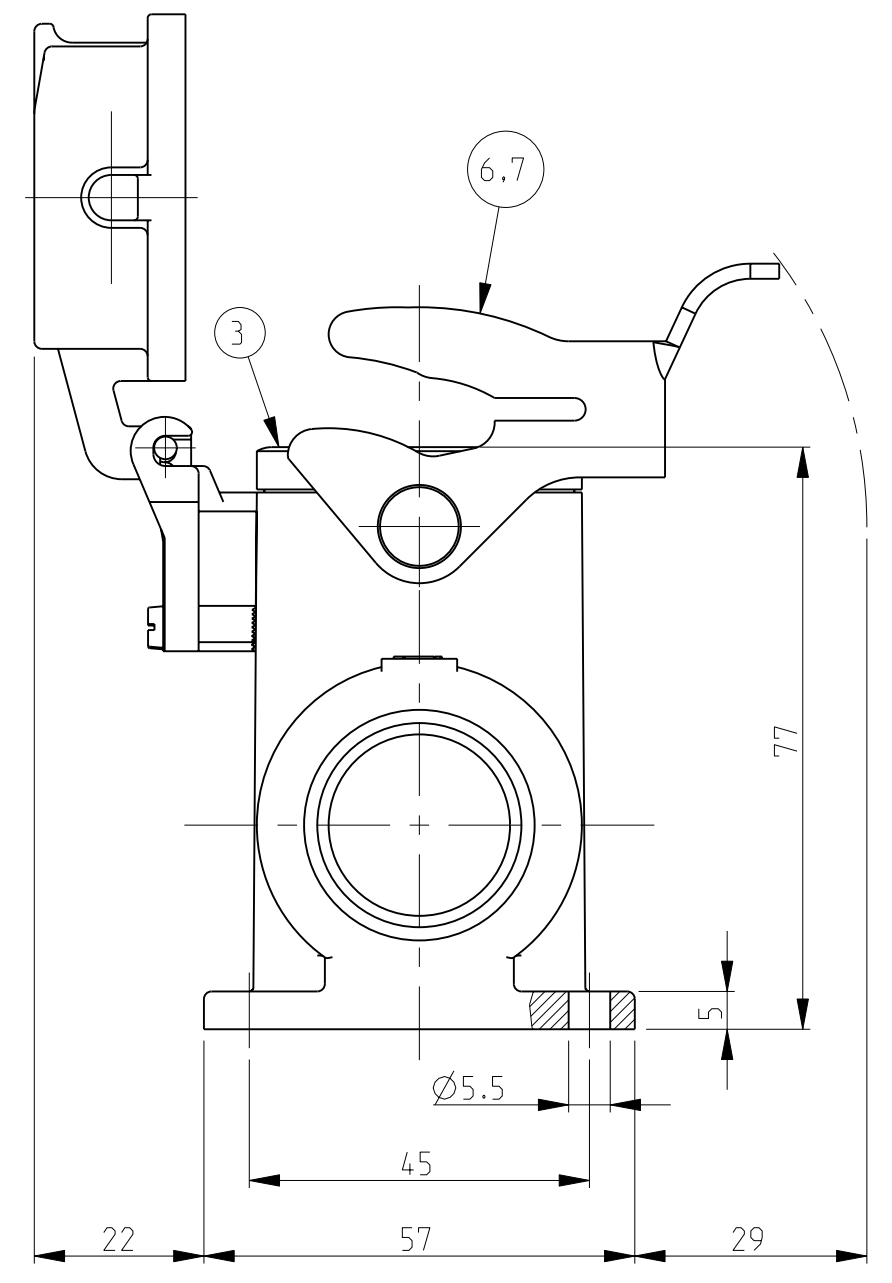
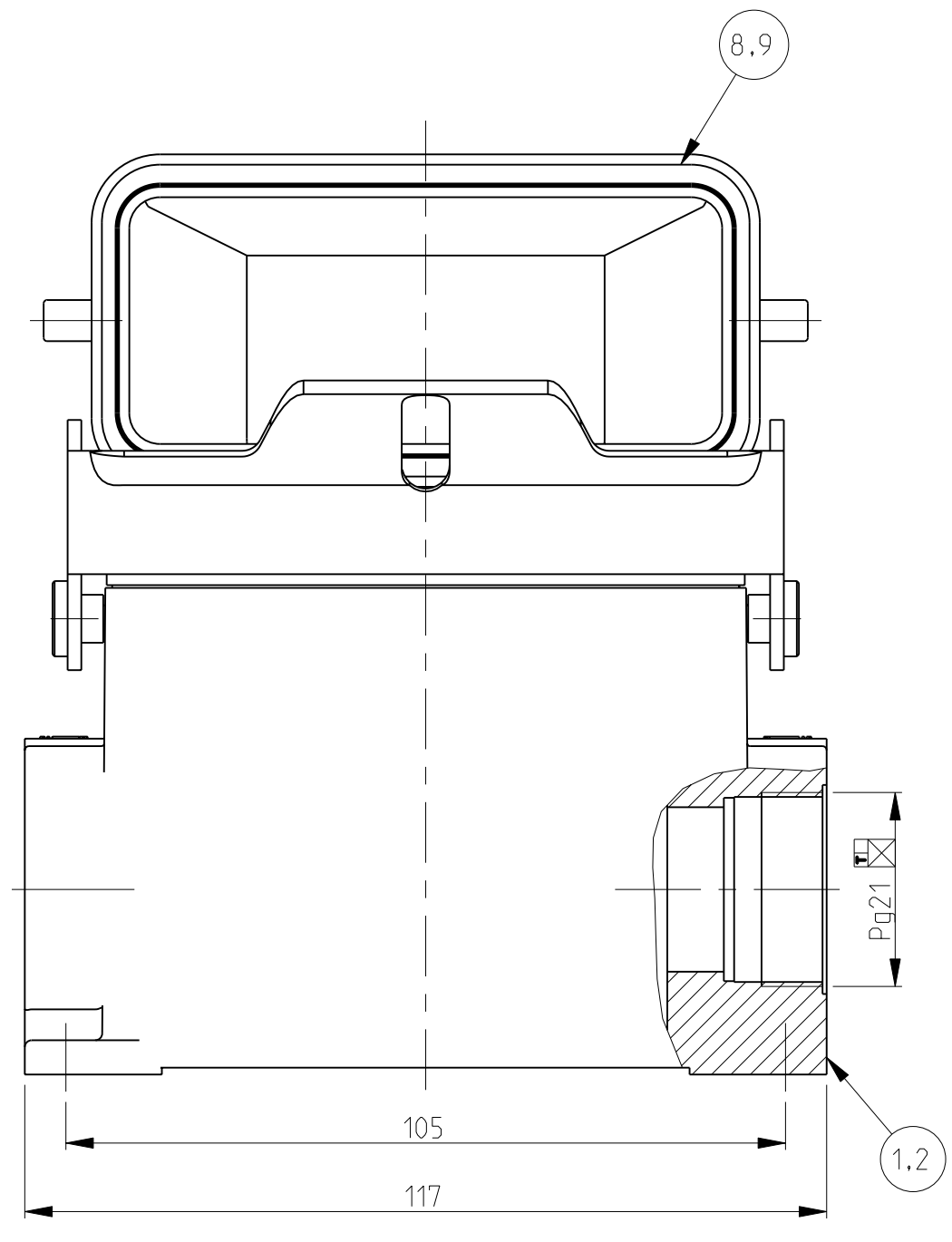
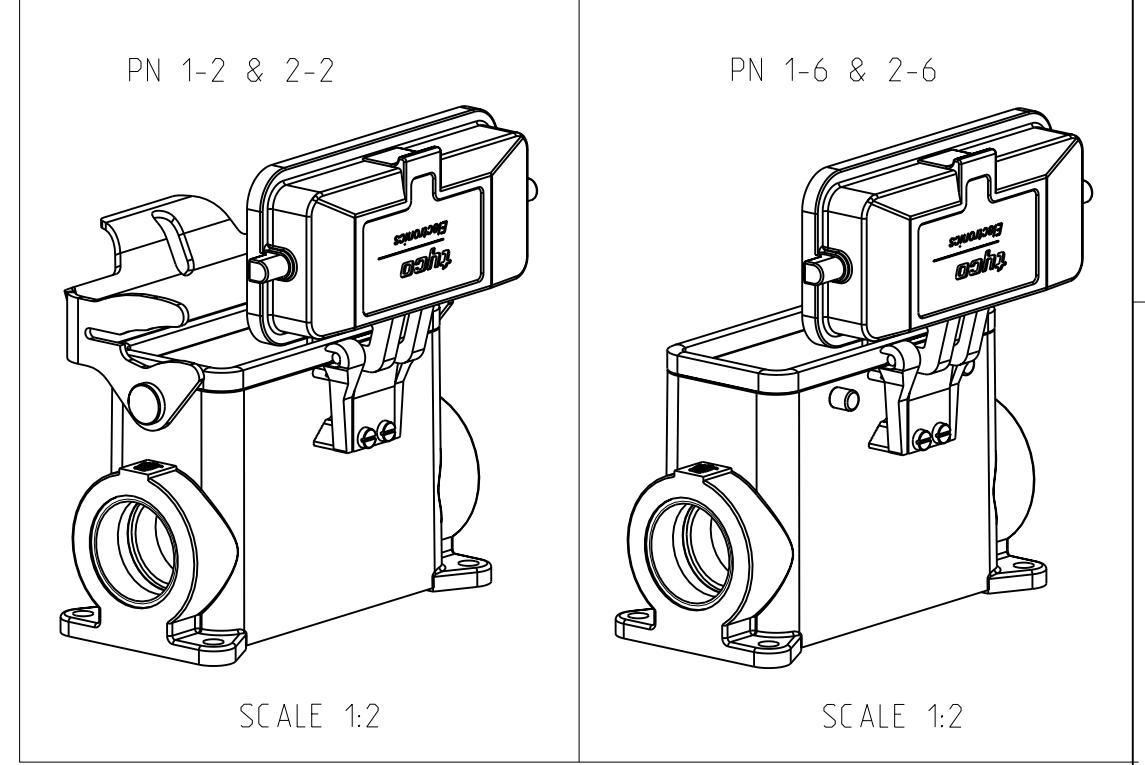


LOC	DIST	REV	DATE	BY	APPV
A1	-	A2	Released as per ECR-08-015813	23.JUN.2008	SP TS

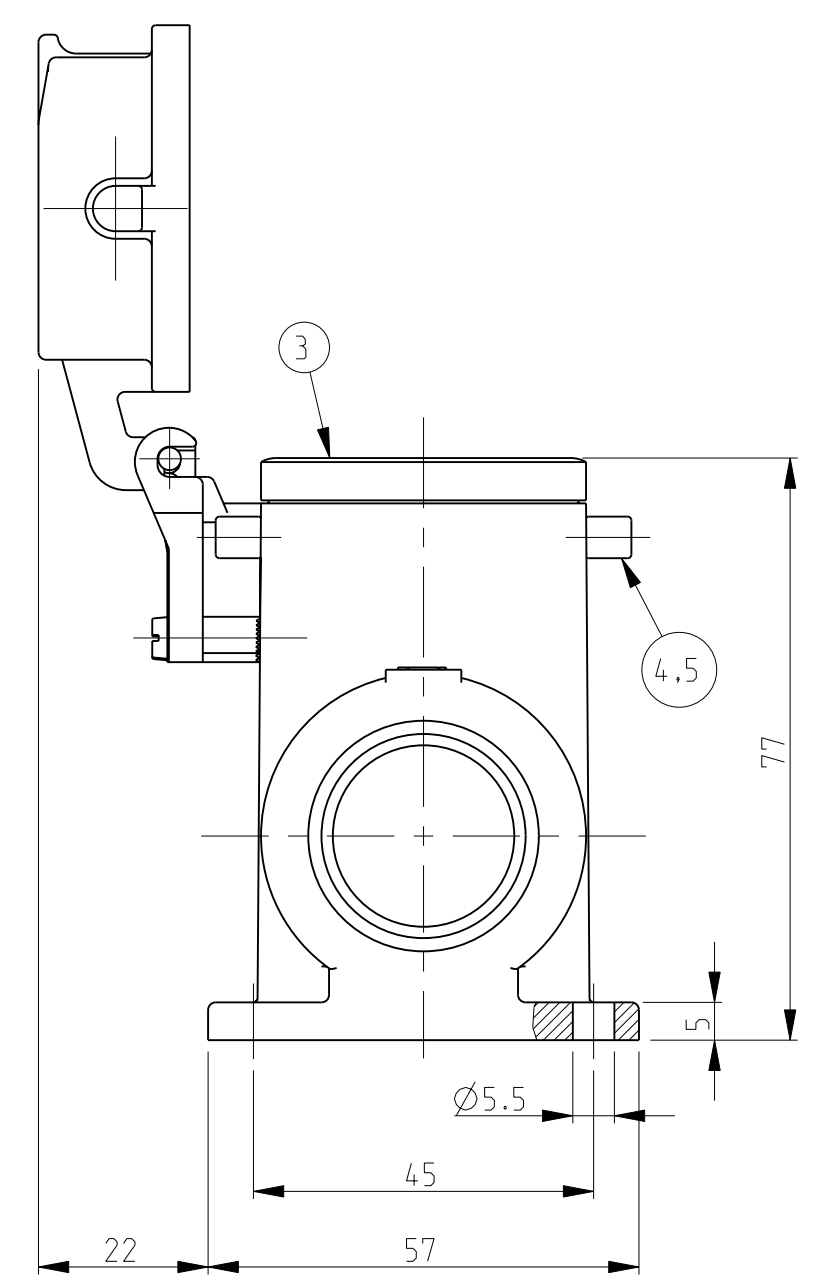
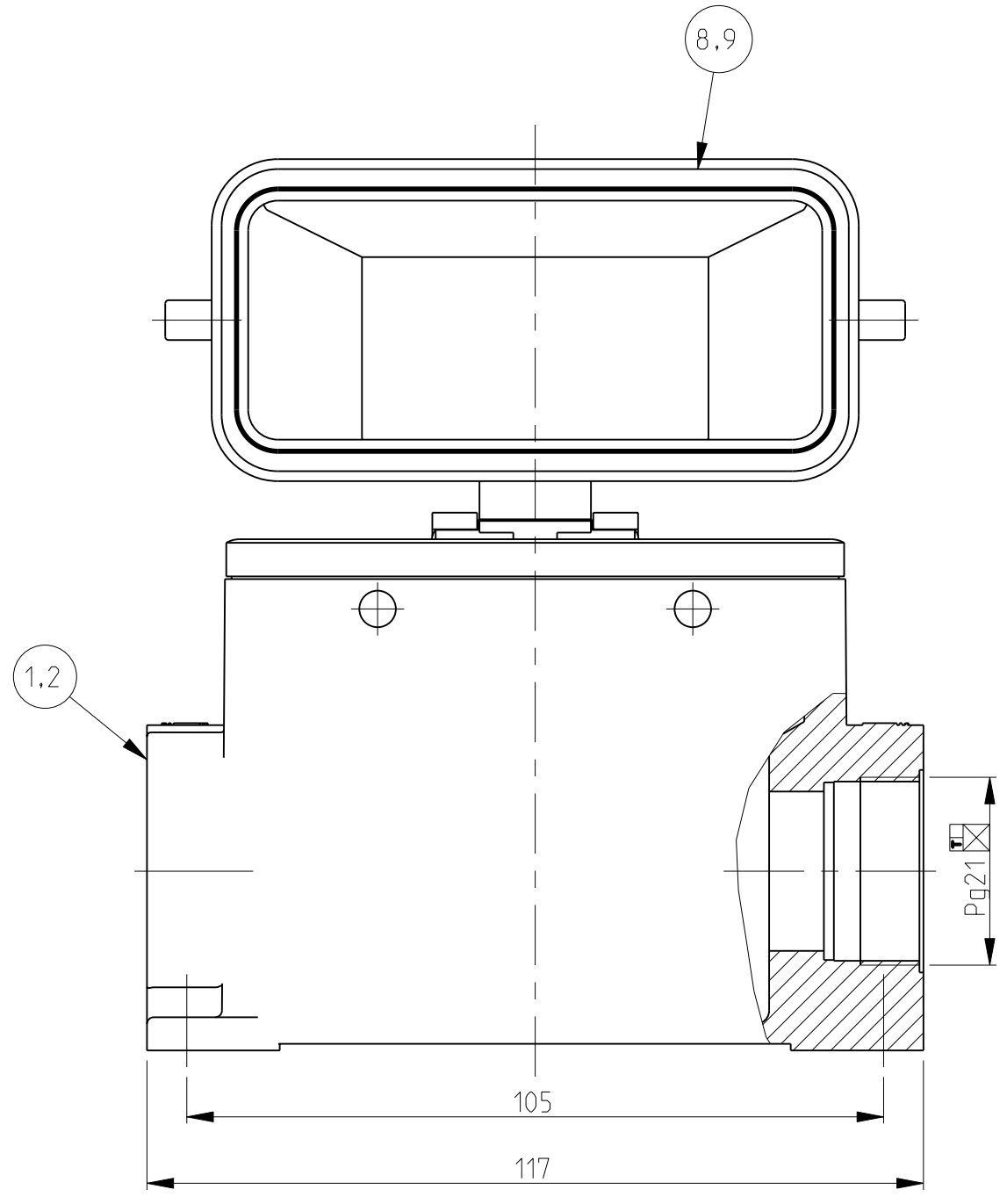
PN 1-2 & 2-2



- NOTES.
- 1 Material:Housing:Aluminium Diecasting Alloy
Seals:Neoprene
 - 2 Surface:Varnish grey
-Aluminium Oxide +Varnish Black
 - 3 Varnish on the inside not necessary
 - 4 Packaging
Quantity 5 Pieces in a box



PN 1-6 & 2-6



QTY	DESCRIPTION	MATERIAL	SURFACE	COLOR	ITEM NO	REMARKS	
1	1	Cover HB-K	Aluminium	Aluminium oxide	Black	9	
1	1	Cover HB	Aluminium		Grey	8	
1		LB-Side clip	Stainless steel	Blank		7	
	1	LB-Side clip	Steel	Zinc plated	Blue	6	
	4	VS-Clip bolt	Stainless steel	Blank		5	
	4	VS-Clip bolt	Steel	Zinc plated	Blue	4	
1	1	1	Profile seal	Neoprene	Black	3	
1	1	1	Surface mounted housing side entry HD-K	Aluminium	Aluminium oxide	Black	2
1	1	1	Surface mounted housing side entry HD	Aluminium		Grey	1

ORDERING TEXT

HD .40.SGD.1.21.Z
 HD-K.40.SGD.1.21.Z
 HD.40.SGD-LB.1.21.Z
 HD-K.40.SGD-LB.1.21.Z

THIS DRAWING IS UNPUBLISHED. RELEASED FOR PUBLICATION .9997 BY TYCO ELECTRONICS CORPORATION, ALL RIGHTS RESERVED.

DIMENSIONS: mm

TOLERANCES UNLESS OTHERWISE SPECIFIED:
 0-100 mm ±0.10 mm
 100-150 mm ±0.15 mm
 150-200 mm ±0.20 mm
 200-300 mm ±0.30 mm
 300-500 mm ±0.40 mm
 ANGLES ±0.5°

MATERIAL FINISH

DATE: 23.09.2003
 DWG: Schneider
 CHK: Schweiher
 APPV: -

NAME: Tyco Electronics
 Tyco Electronics,AMP.GmbH
 0-53819,Neunkirchen,Germany

PRODUCT SPEC: 108-74001/74003
 APPLICATION SPEC: 114-74001/74004

WEIGHT: -

CUSTOMER DRAWING

SCALE: 1:1 SHEET: 1 OF 1 REV: A2