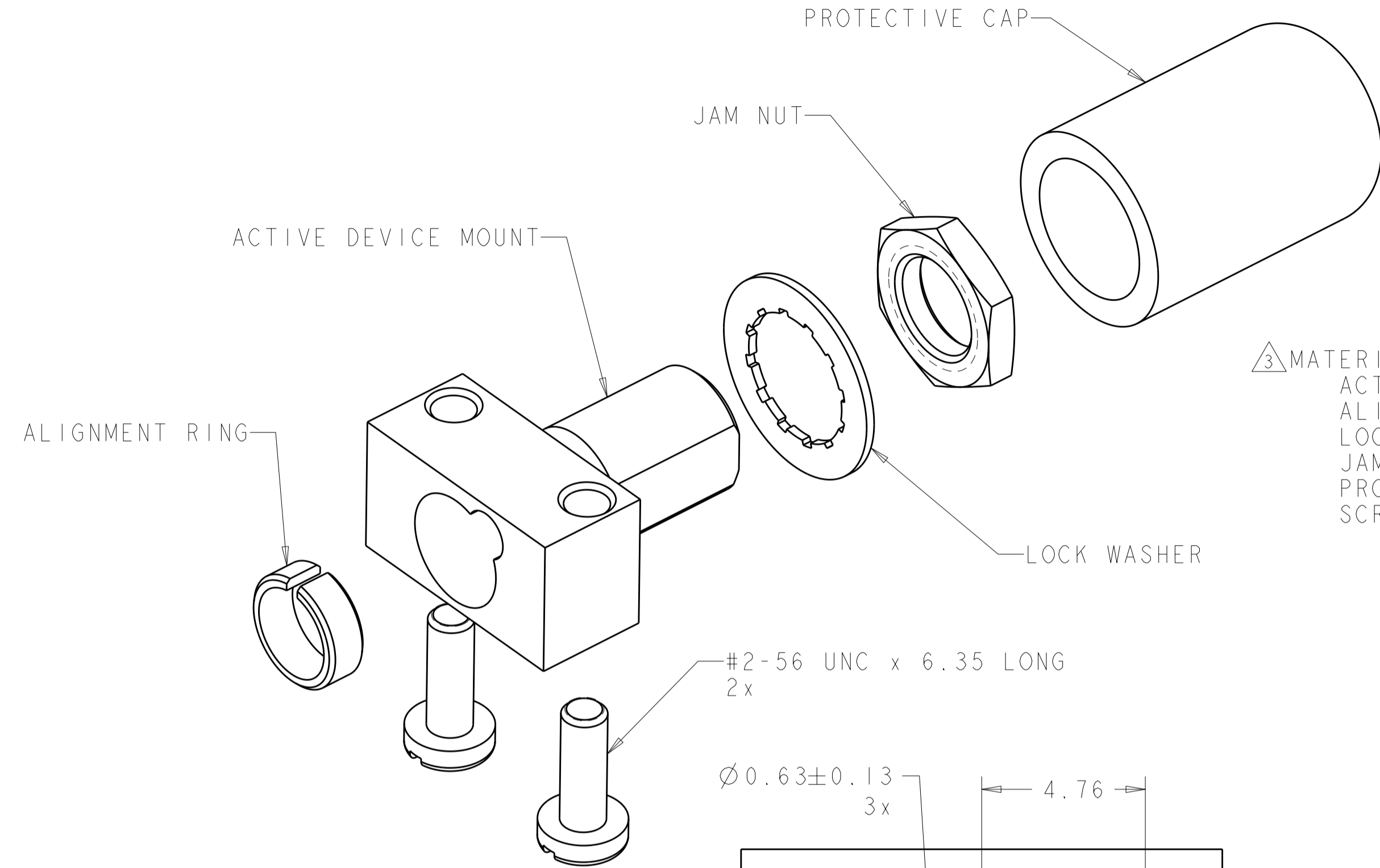


THIS DRAWING IS UNPUBLISHED. RELEASED FOR PUBLICATION 20
 © COPYRIGHT 20 ALL RIGHTS RESERVED.

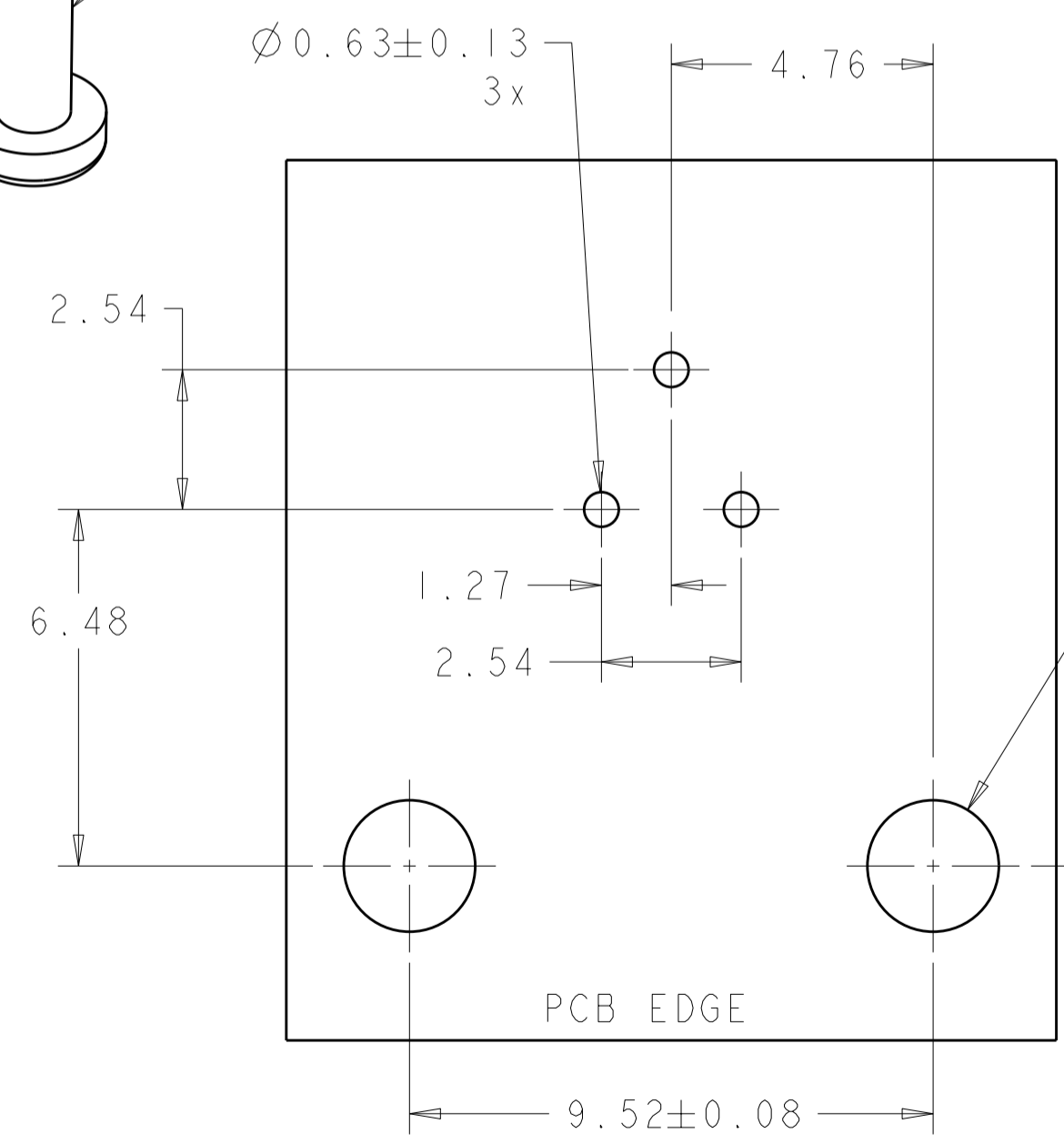
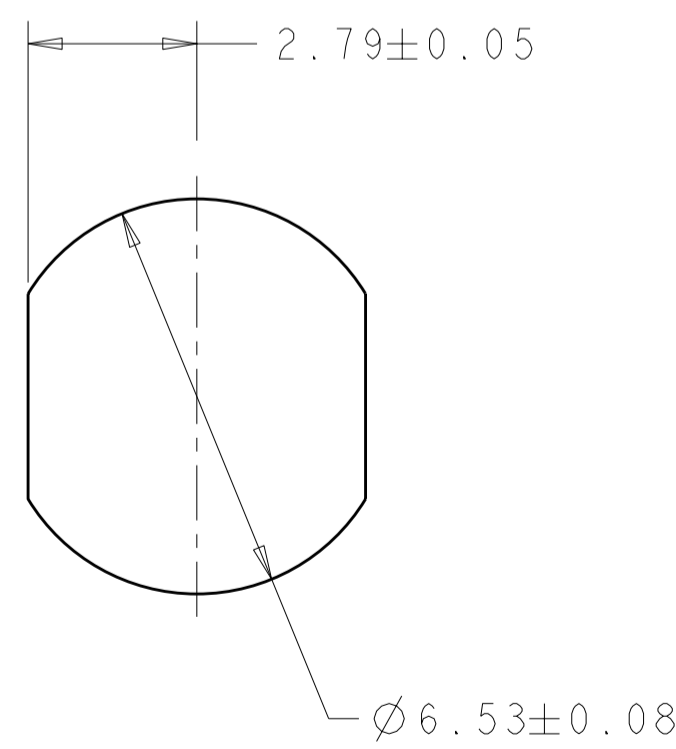
LOC	DIST	REVISIONS			
P	LTR	DESCRIPTION	DATE	DWN	APVD
CE	00	AI	REVISED PER ECO-11-005027	17MAY2011	RK HMR



1. ACCEPTS ACTIVE DEVICES: TO-18 TYPE, TO-46 TYPE, TO-52 TYPE, AND HONEYWELL LOW COST SWEETSPOT.

2 BULK PACKAGE.

3 MATERIAL:
 ACTIVE DEVICE MOUNT: ZINC
 ALIGNMENT RING: TPE, UL94 V-0 RATED AT QUALIFYING THICKNESS.
 LOCK WASHER: STAINLESS STEEL
 JAM NUT: NICKEL PLATED BRASS
 PROTECTIVE CAP: VINYL, COLOR: RED
 SCREWS: STAINLESS STEEL



Ø2.39±0.08 DIA FOR #2-56UNC SCREWS

3.17 MAX

2	5502136-2
	5502136-1
	PART NUMBER

THIS DRAWING IS A CONTROLLED DOCUMENT.		DWN B. BRIGGS 28JUN2005	TE Connectivity	
DIMENSIONS: mm		CHK L. SAUERWEIN 28JUN2005		
TOLERANCES UNLESS OTHERWISE SPECIFIED:		APVD S. BUCHTER 28JUN2005	NAME ACTIVE DEVICE MOUNT KIT, PCB MOUNT, FSMA, OPTIMATE	
0 PLC ±		PRODUCT SPEC	SIZE CAGE CODE DRAWING NO RESTRICTED TO	
1 PLC ±		APPLICATION SPEC	A200779C-5502136	
2 PLC ±0.25		WEIGHT	SCALE 5:1 SHEET 1 OF 1 REV AI	
3 PLC ±		CUSTOMER DRAWING		
4 PLC ±				
ANGLES ±				
FINISH ±				

SUGGESTED MOUNTING PATTERN
 MAX PANEL THICKNESS 1.57

SUGGESTED CLEARANCE HOLE