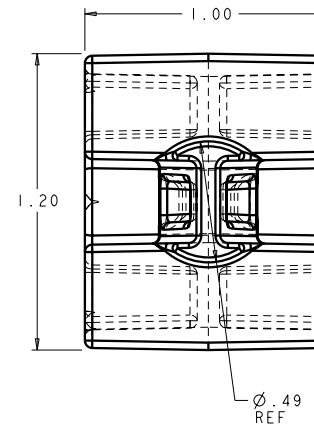
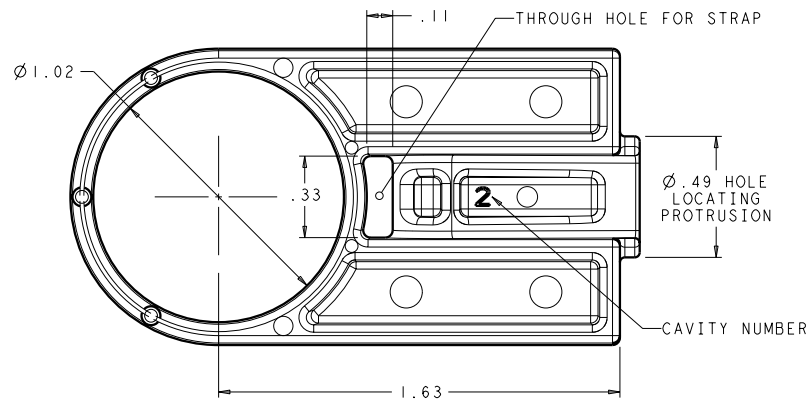
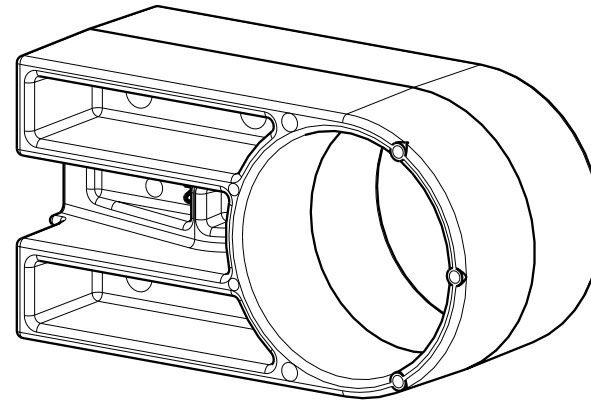
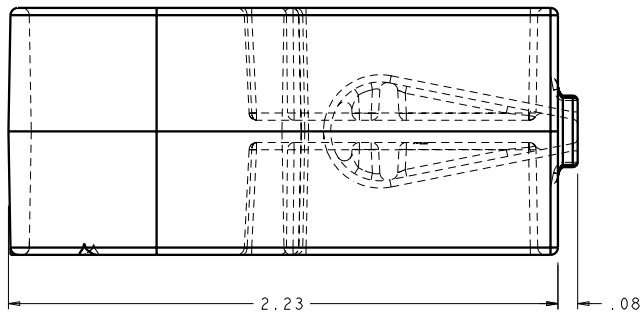


NOTES:

- SECURE WITH BUTTON HEAD TIES
- HOLE LOCATING PROTRUSION FOR 1/2" MOUNTING HOLE



INVENTORS

HellermannTyton®

ALL PROPRIETARY RIGHTS IN THE SUBJECT MATTER SHOWN ON THIS DRAWING ARE EXCLUSIVE PROPERTY OF HELLERMANNTYTON

name	date	city, state
MIKE GROLL	12/12/03	PORT WASHINGTON, WI

REVISION

D level	02
A	GGG
W	1/12/09
I	
N	
G	ECN # 011210
part level	A

DIMENSIONS

TOLERANCES UNLESS OTHERWISE SPECIFIED	units	inches
.XXXX=	±0.005	
.XXX=	±0.010	
.XX=	±0.02	
.X=	±0.1	
∠=	±0.5	

PART

number	CGS1	phase	PRODUCTION
name	STANDOFF CABLE GUIDE		
material	NYLON 6/6 IMHSUV		

DRAWING

FORMAT	AH version	J	CAD	PRO-E	scale	3/2
computer file number					previous number	
drawn	MIKE GROLL	checked	K CHRISTIAN	approved		
date	12/12/03		1/12/09			
type	CUSTOMER				sheet	1 of 1
number	MT2032002CST					