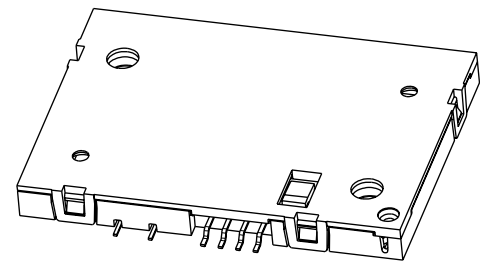
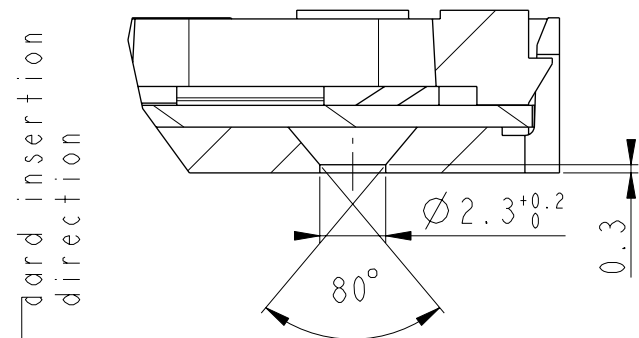




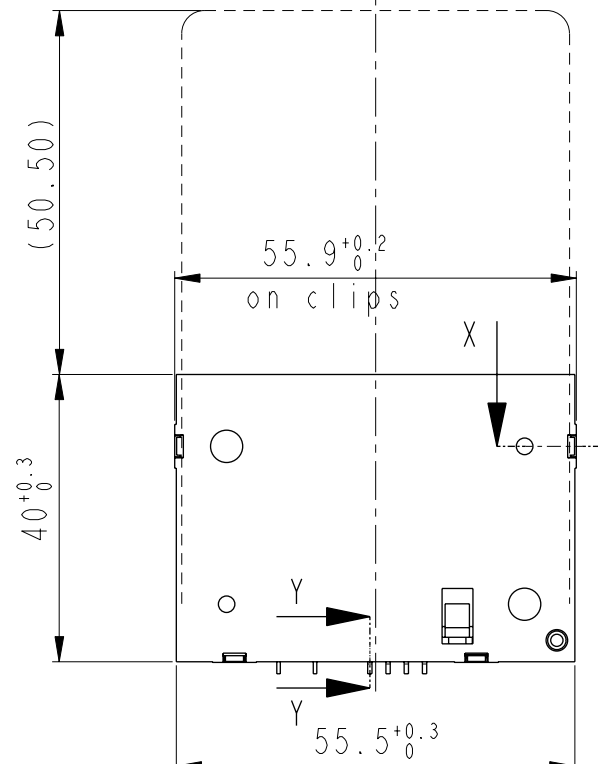
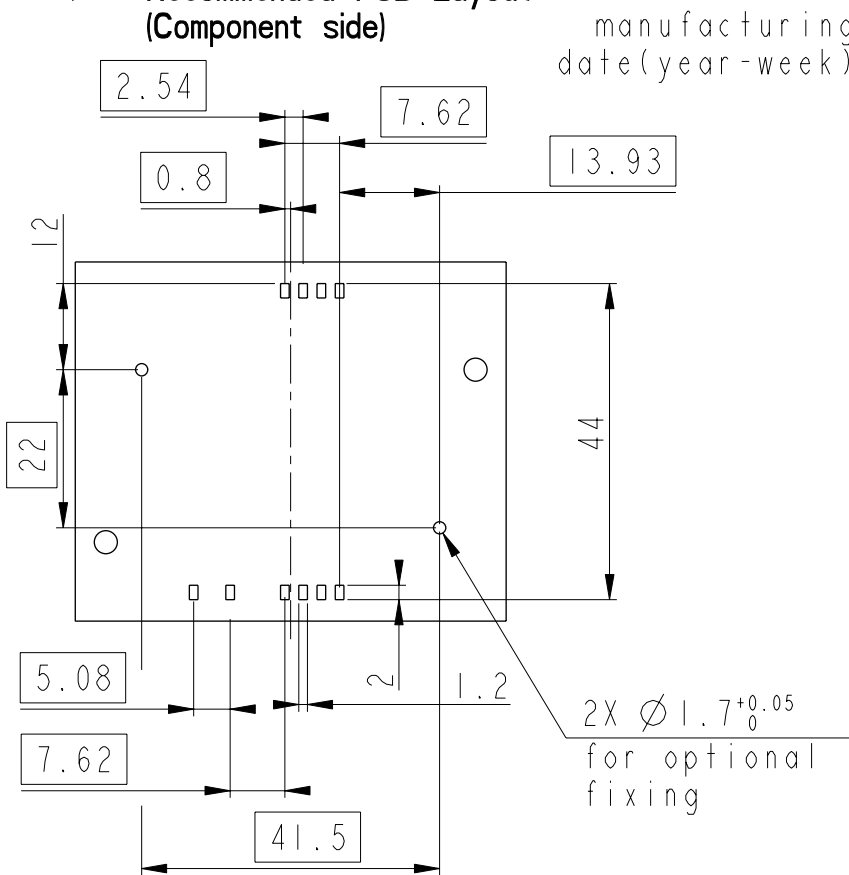
Copyright FCI.



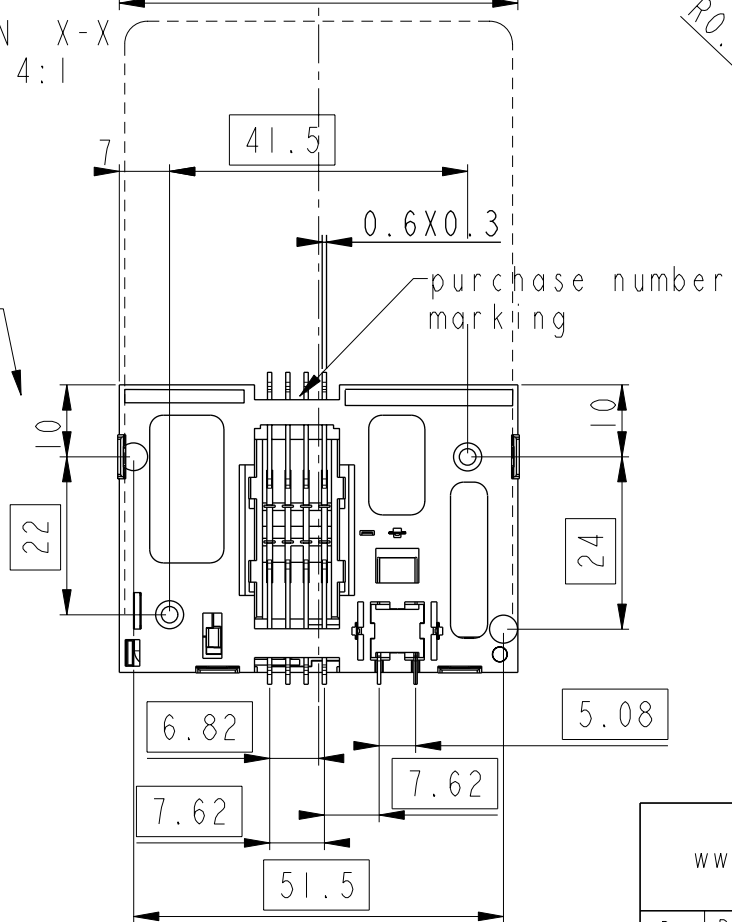
CUT IN LOCK ONLY FOR COVER WITH LCP



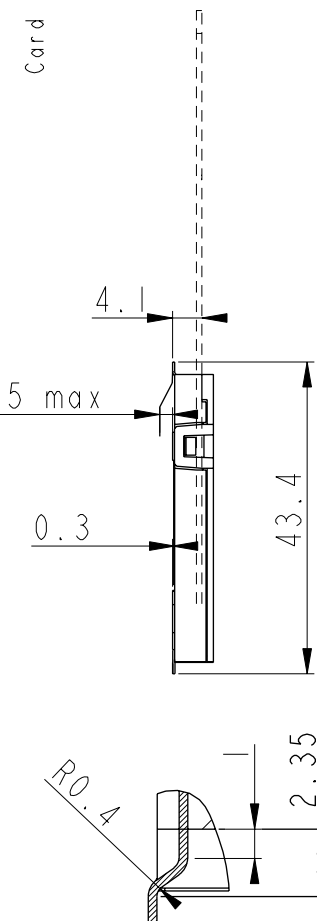
Recommended PCB Layout (Component side)



SECTION X-X SCALE 4:1



SECTION Y-Y SCALE 4:1



**GENERAL :**  
High cycle life duration smart card connector with landing type contacts mechanism. The landing type connector also provides the feature of recessed contacts when card is not inserted which protects them against vandalism.  
Smart card for reference purposes only.

**ELECTRICAL PROPERTIES:**  
Insulation resistance : > 1000MΩ  
Dielectric withstanding voltage : >750 Vrms  
Current carrying capacity : Min 10μA, Max 1A  
Contact resistance : < 100mΩ

**MECHANICAL PROPERTIES :**  
Operating force : Insertion : F < 10N  
Withdrawal : 1 < F < 10N  
Contact Normal force : 0.2 < F < 0.3 for 0.6mm of deflection  
Durability : 200 000 mating cycles

**MATERIAL :**  
Head reader : High temp. Thermoplastic, Colour Black, Rated UL94V0  
Cover : SEE TABLE, Rated UL94V0  
Contacts : Copper alloy,  
Plating : 2.5μm Nickel min. all over  
2μm Gold min. on contact area  
3μm SnPb(60/40) min. on solder tails(for leaded version)  
3μm matte tin min. on solder tails(for lead free version)

**ENVIRONMENT :**  
Operating temperature : -40°C / +85°C  
Climatic conditions : UTE 93-421

**PACKAGING :**  
Plastic cavity tray

LEAD FREE VERSION:

"This product meets European Union Directives and other country regulations as described in GS-22-008"

The housing will withstand exposure to 260°C peak temperature for 10seconds in a convection reflow oven.

PART NUMBER	COVER MATERIAL	MARKING	LEAD FREE VERSION
7311E0225S01	LCP (BLACK)	NO	7311E0225S01LF
7411E0225S01	PA46(GREY)	YES	7411E0225S01LF
7711E0225S01	LCP (BLACK)	NO	7711E0225S01LF

www.fciconnect.com		surface --	tolerance std	projection	mm
		ISO 1302	ISO 406 ISO 1101		
TOLERANCES UNLESS OTHERWISE SPECIFIED					
Dr	D LEGRAND	2002/04/29	ANGULAR	0.x	±
Eng	F TISSERAND	2002/04/29	LINEAR	0.xx	±
Chr	S.S.CHERIAN	2008/08/18	0° ±°	0.xxx	±
Appr	S.S.CHERIAN	2008/08/18	Product family	MOBILE I/O	Spec ref
title		8 POS. SMT E02 WITHOUT PEGS		Rev.	
description		SMART CARD READER VXX 27819		VJW54001	
catalog no		See table		CUSTOMER	
drawing no				sheet 1 of 1	

**General Tolerances**

0 to 10mm:	±0.1mm
10 to 30mm:	±0.15mm
30 to 60mm:	±0.2mm
60 and more:	±0.3mm

rev	ecn no	dr	date
B	LS3077	MPE	2003/09/17
C	LS3088	MPE	2003/10/13
D	LS3088	MPE	2003/10/16
E	104-0051	DTK	2004/07/17
F	105-0176	NT	2005/09/29
G	106-0078	DTK	2006/06/19
H	108-0103	SSC	2008/08/18