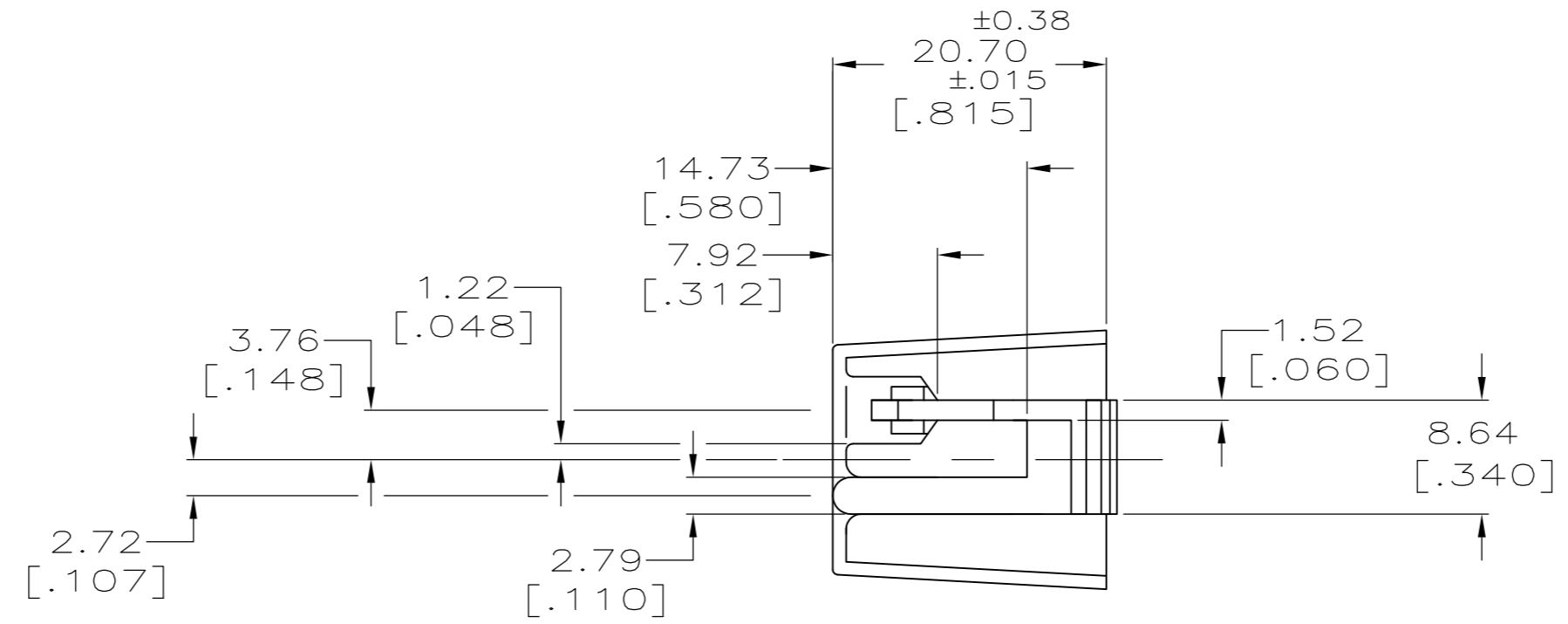
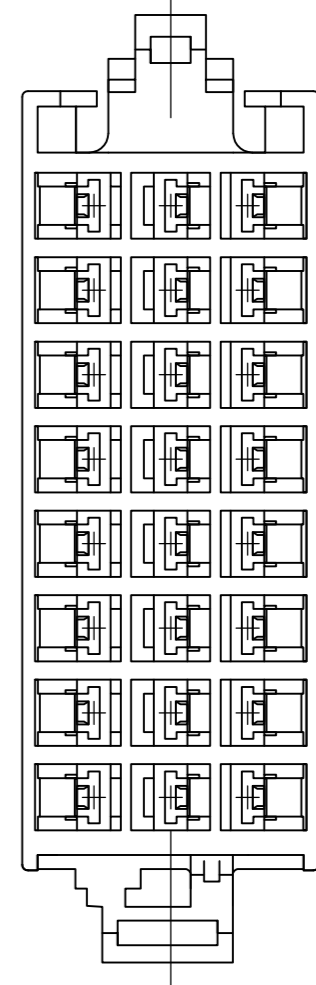
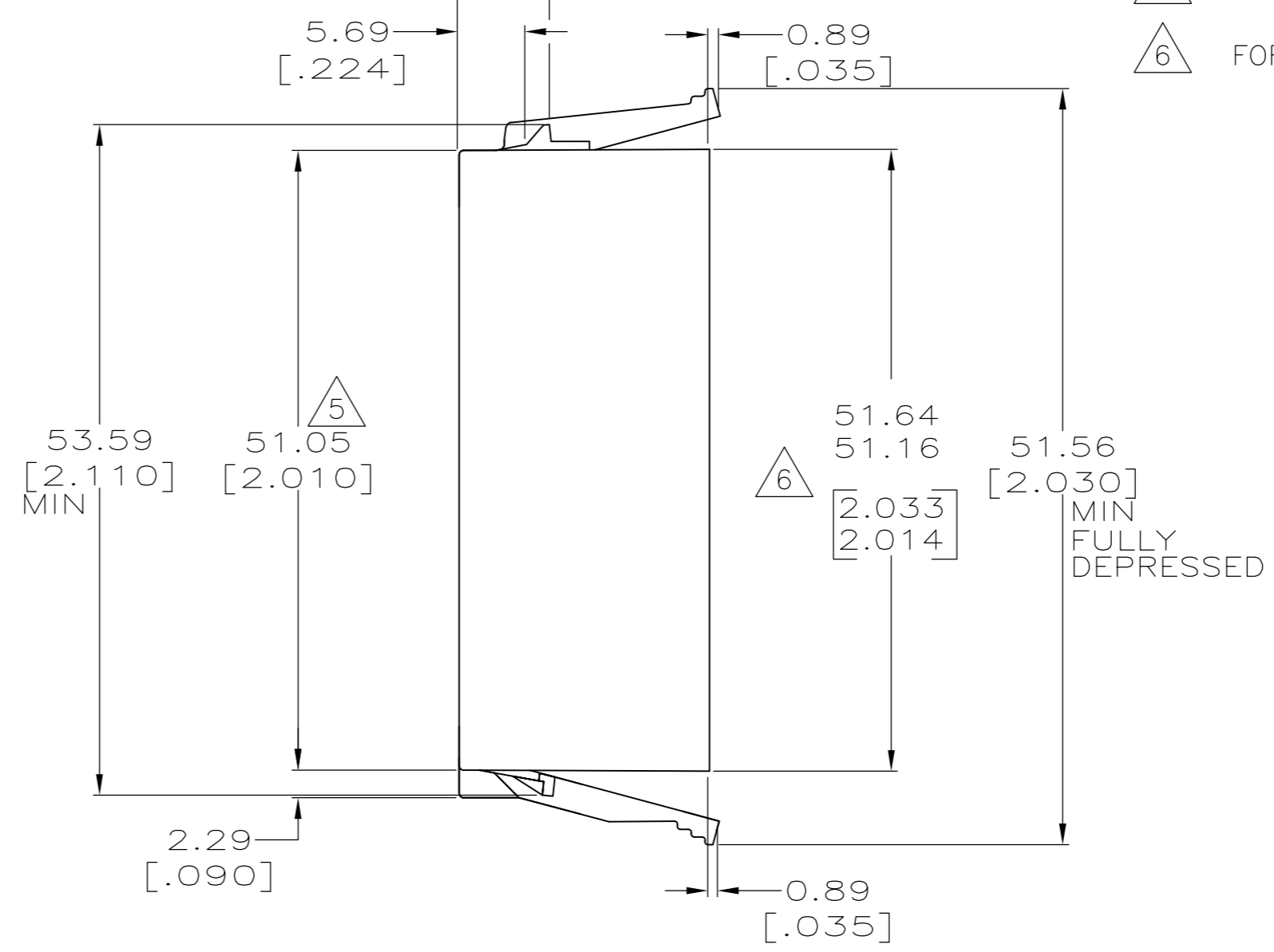
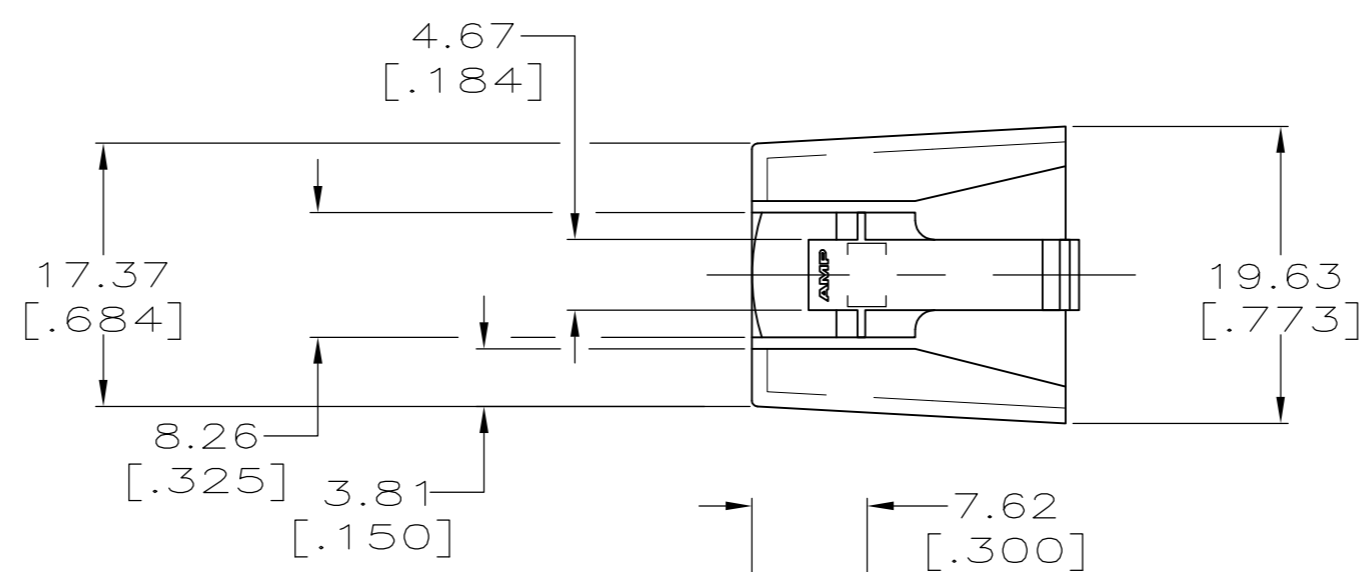
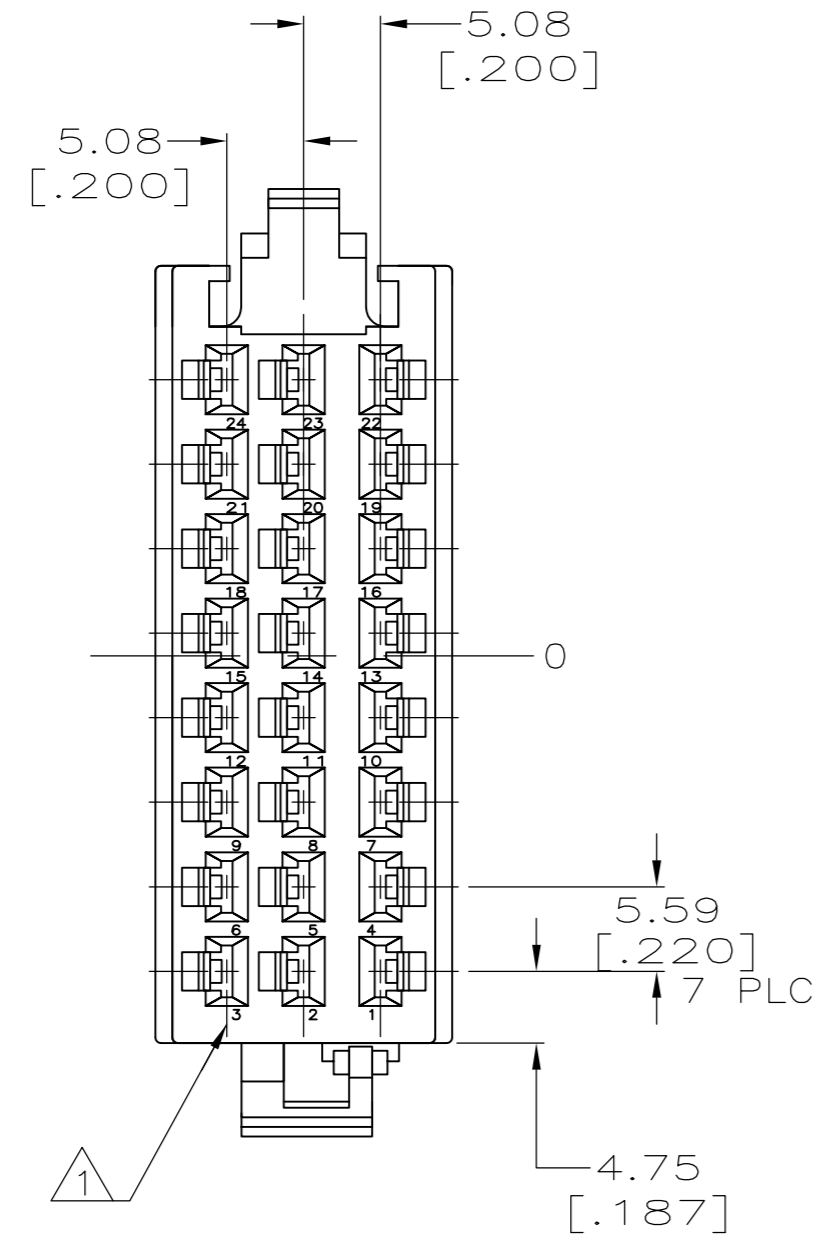


THIS DRAWING IS UNPUBLISHED. RELEASED FOR PUBLICATION  
 © COPYRIGHT - By - ALL RIGHTS RESERVED.

LOC	DIST	REVISIONS			
P	LTR	DESCRIPTION	DATE	DWN	APVD
AF	50	S4	REVISED PER ECR-12-019951	29NOV2012	KH GJ

- 1 CIRCUIT IDENTIFICATION.
- 2 ACCEPTS TERMINAL #770642-( )
- 3 #770197-1 MATES WITH CAP HOUSING 521062-( ). CONSULT TE ENGINEERING FOR 770197-2.
- 4 GLOW WIRE COMPLIANT PER IEC 60335-1 750C NO FLAME
- 5 FOR 770197-2 MAX DIMENSION IS 51.43[2.025]
- 6 FOR 770197-2 MAX DIMENSION IS 51.92[2.044].



NATURAL	PA6 V-2 4	770197-2
BLACK	PA66 V-2	770197-1
FINISH	MATERIAL	PART NUMBER

THIS DRAWING IS A CONTROLLED DOCUMENT.		DWN M.S. FEHER 10NOV2000	<b>TE</b> TE Connectivity	
DIMENSIONS: mm [INCHES]		CHK J.R. RUTH 10NOV2000		
TOLERANCES UNLESS OTHERWISE SPECIFIED:		APVD DON DECKER 10NOV2000	NAME	
0 PLC ± -		PRODUCT SPEC 108-1271	TIMER CONNECTOR HOUSING, 24 POS, RIGHT HAND, GEN III	
1 PLC ± -		APPLICATION SPEC 114-49003	SIZE A2	CAGE CODE 00779
2 PLC ± 0.25 [.010]		MATERIAL SEE TABLE	DRAWING NO C=770197	RESTRICTED TO -
3 PLC ± -		FINISH SEE TABLE	SCALE 2:1	SHEET 1 of 1
4 PLC ± -			REV S4	
ANGLES ± -				
CUSTOMER DRAWING				