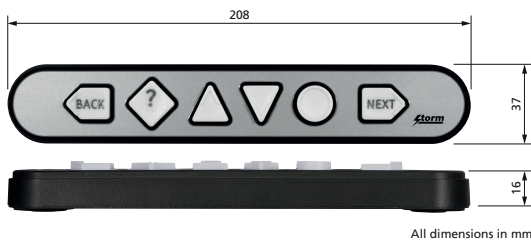


ADA compliant, tactile keypad for audible system navigation



Storm Assistive Technology Products provide improved accessibility for those with impaired vision, restricted mobility or limited fine motor skills.

Kiosks, ATMs, ticketing machines and voting terminals usually present information about available products and services via a visual display or touch screen. Nav-Bar™ is a highly tactile interface that improves accessibility, making audio navigation and selection of screen based menus possible. An audio description of available menu options is transmitted to the user through a headset, handset or cochlea implant. When the desired menu page or menu option is located it can be selected by the press of a distinctive tactile button. Successful implementation of the Nav-Bar™ requires a compliant host application featuring synthesized or recorded human voice audio-tags.



Performance

Vibration & Shock:	ETSI 6M3
Impact Resistance:	IK09 (10J Rating) (when correctly installed to a panel top surface)
Sealing:	IP65 (when correctly installed to a panel top surface)
Operational Key Life:	>4 million cycles per key
Certification:	CE / FCC / UL

Environmental

Operational temperature:	-20°C to +70°C (dry)
Weather Resistance:	IP65 (when panel mounted)

Specification

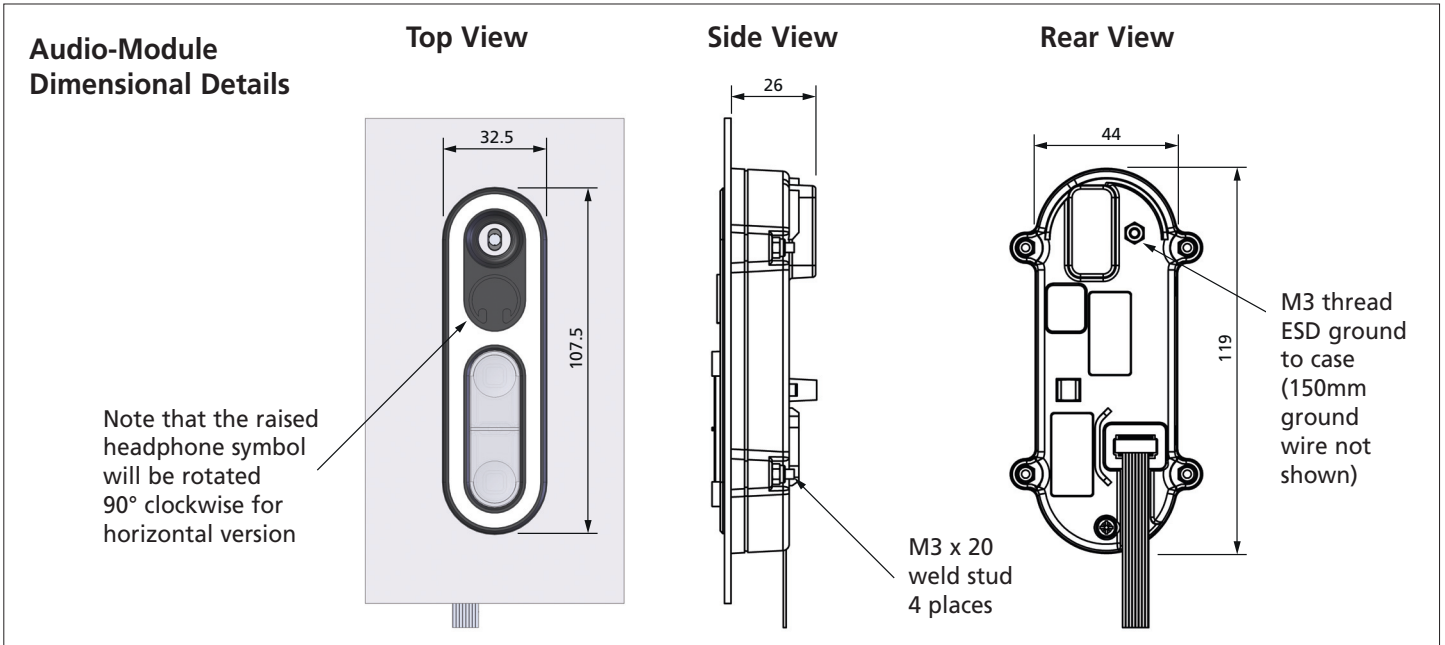
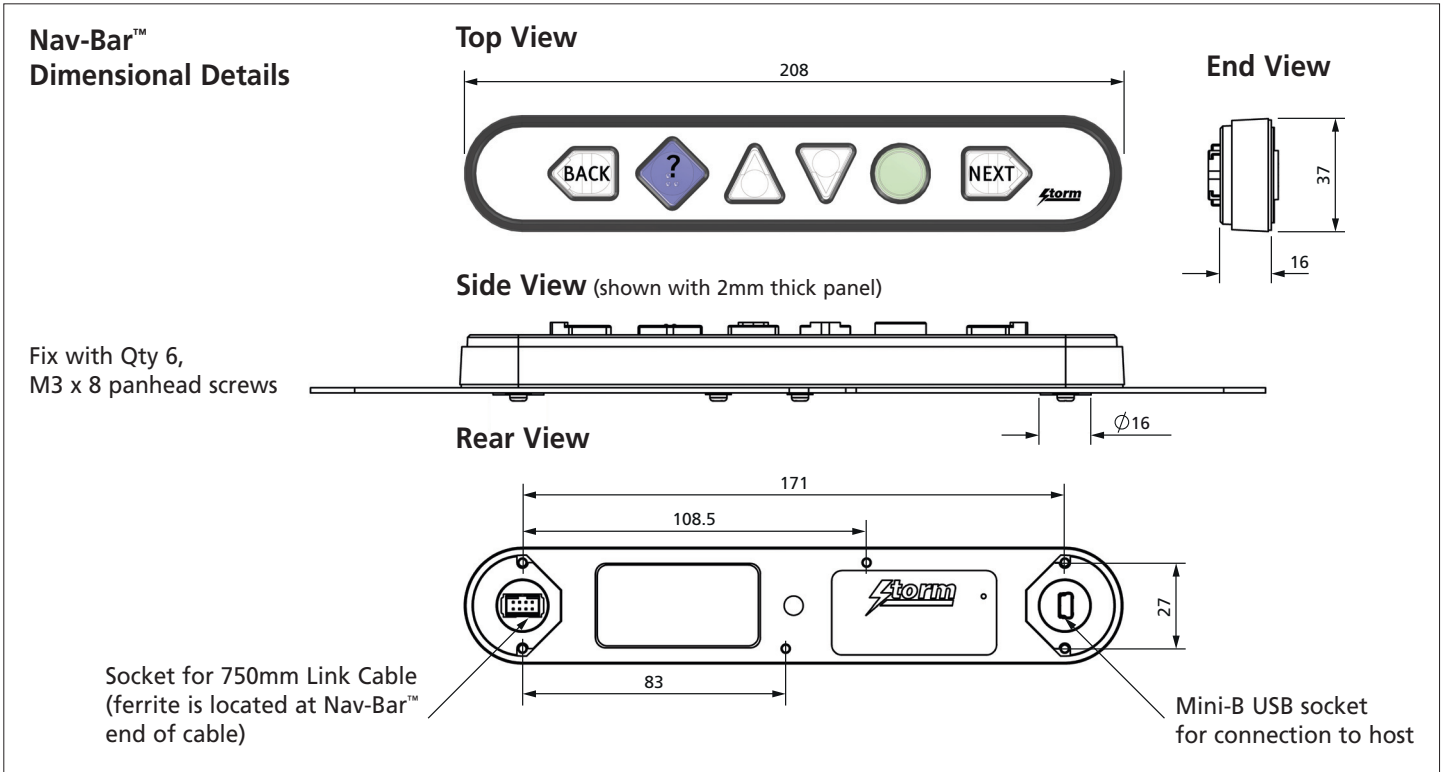
Rating:	5V +/- 0.25V (USB 2.0)
Connection:	Mini USB B Socket
Audio:	3.5mm Audio Jack Socket (Illuminated)
Ground:	150mm ESD ground wire fitted
USB Cable	Not included
Interconnect Cable	0.75m cable (Nav-Bar to Audio-Module) included with Audio-Module

Nav-Bar™ was developed in association with the Trace Research & Development Center with support from the University of Wisconsin. Nav-Bar™ is a compliant tactile interface device for use as part of an ADA audible menu navigation system or EZ-Access® implementation.

- Space efficient horizontal format for use with contemporary touch-screen kiosks.
- Easy to navigate and makes audio references to a key's position and function easier to understand. For example: The circular shaped 'select' key is the second key from the right.
- Internal colour coded illumination makes location of individual keys much easier for those with partial vision.
- The keytop's distinctive shape and tactile symbols provide the primary means of identifying a key's specific function.
- The intensity of keytop illumination can be adjusted or turned off when not in use.
- By use of the Nav-Bar™ utility software, default illumination status and 'wake-up' behaviour can be selected. USB key-press codes can also be changed.
- Optional Audio-Module includes sound volume controls and an illuminated jack plug socket for headset connection. (Audio-Module supplied separately).
- The Audio-Module can be positioned separately from the Nav-Bar™ to optimize system ergonomics.
- Nav-Bar™ is connected to the Audio-Module via a ribbon cable (supplied).
- Nav-Bar™ is connected to the host system via a single USB cable (supplied separately).

Storm, Storm ATP, Storm Interface, Nav-Bar and Audio-Module are trademarks of Keymat Technology Ltd. All rights reserved, EZ Access® is a trademark of the Wisconsin Alumni Research Foundation.





Part Numbers

Nav-Bar™	EZB6-43000
Audio-Module for Nav-Bar™ & Interconnect Cable (Vertical installation)	EZB2-40500
Audio-Module for Nav-Bar™ & Interconnect Cable (Horizontal installation)	EZB2-405H0
Spare Interconnect Cable 0.75m	EZB2-01
USB Cable Mini-B to Type A 0.95m (not included)	4500-01

Whilst every effort is made to ensure details are correct at time of print, specifications are subject to change without notice.



For more information & to order:
www.storm-interface.com

Storm Interface products include technology protected by international patents and design registration. All rights reserved. Storm is a trademark of Keymat Technology Ltd. Storm Interface is a trading name of Keymat Technology Ltd.

Nav-Bar Dec 2016
 Designed & produced by NIK Design Ltd
www.nikdesign.co.uk



FM 39602

