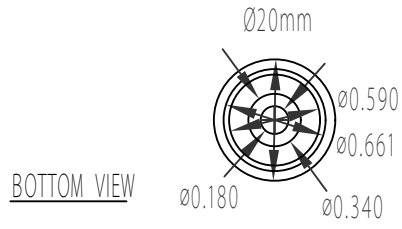
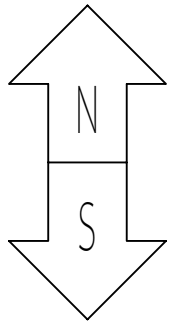
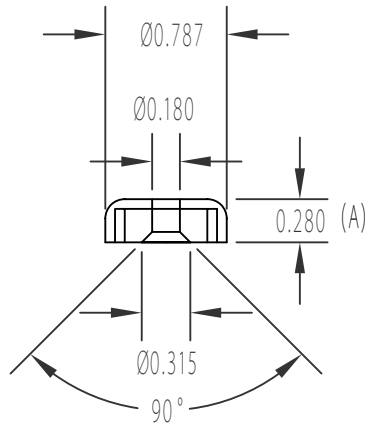
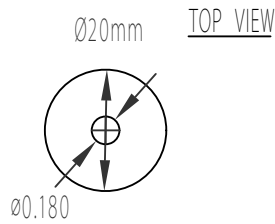


REVISIONS			
LTR	DESCRIPTION	DATE	APPROVED
-	INITIAL RELEASE		H D



UNLESS OTHERWISE SPECIFIED  
DIMENSIONS ARE IN INCHES

TOLERANCES:  
FRACTIONS: ±1/64  
DECIMALS: ±.015  
ANGLES: ±1°

MATERIAL: NdFeB  
FINISH: NiCuNi

<b>RADIAL MAGNET INC.</b>			
108B NW 20th St. BOCA RATON, FL 33431 (561)392-2103			
SHAPE POT	STRENGTH N35	PLATING NICKEL PLATED	SIZE AND DIRECTION OF MAGNETIZATION(A) POT A20
SIZE A	ITEM # 8218	DRAWING # RM8218	REVISION -
SCALE 1:1	DRAWN: CG	CHECKED: HD	APPROVED: HD
			PAGE 1 OF 1

