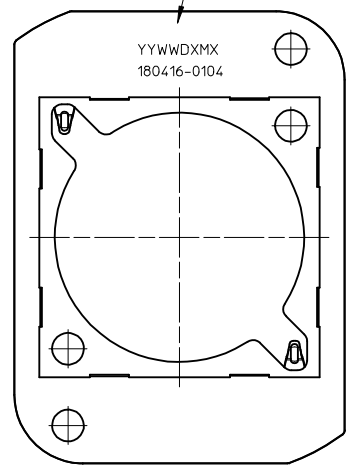
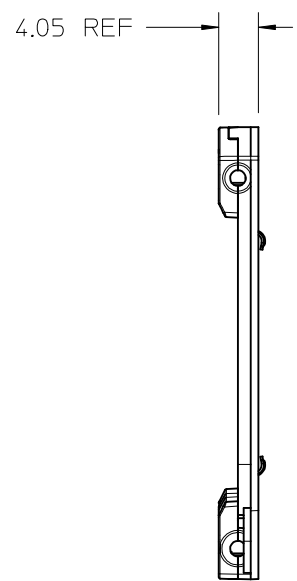
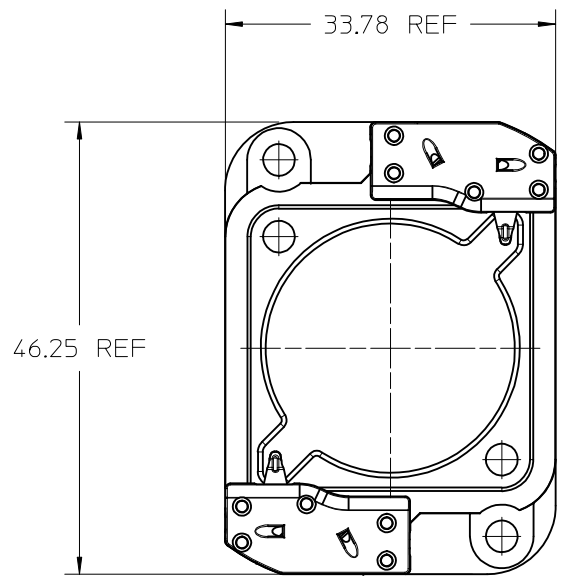
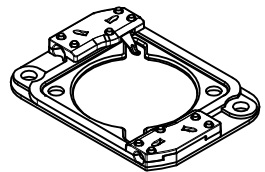


10 9 8 7 6 5 4 3 2 1



PART MARKED WITH
DATE CODE (YYWDXMX)
MFG PLANT (XM)
REVISION (X)
PART NUMBER (180416-0104)

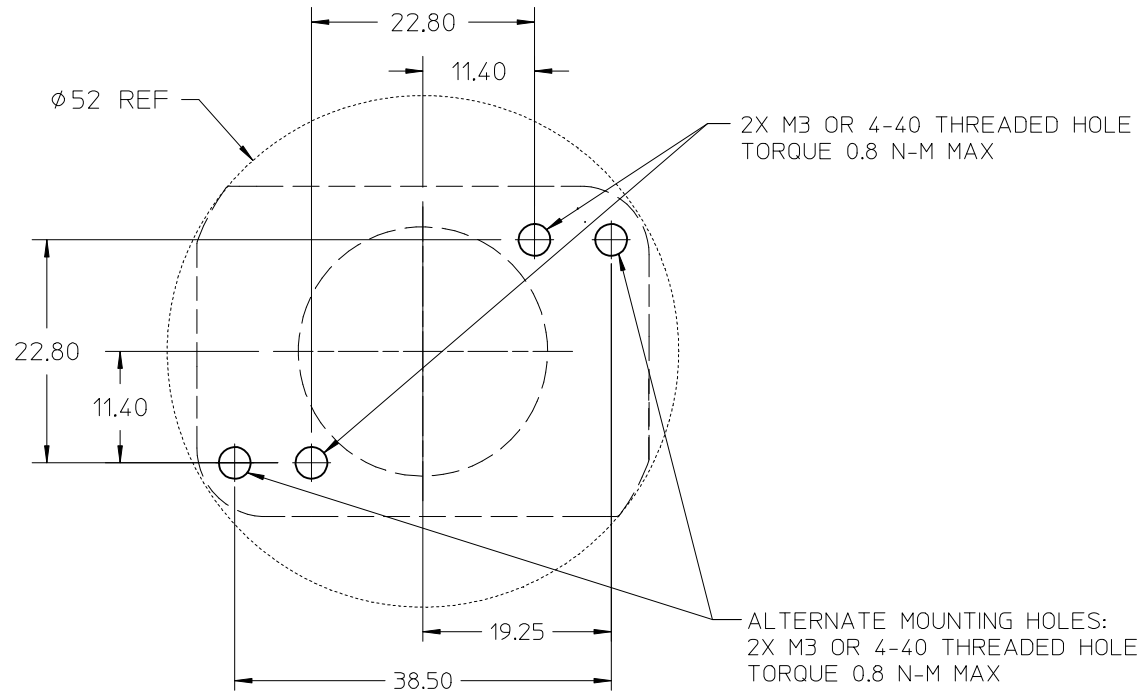


ISOMETRIC VIEW 1
SCALE 1:1

- NOTES:
1. MATERIALS: HOUSING: POLYAMIDE (PA66), GLASS FILLED, UL94V-0, 5VA (89992-0289); TERMINAL: COPPER ALLOY
 2. FINISHES: TERMINAL: NICKEL (Ni) UNDERPLATE 1.27 μ m, SELECT TIN (Sn) 2.54 μ m, SELECT GOLD (Au) 0.76 μ m
 3. PRODUCT SPECIFICATION: PS-180414-001
 4. PACKAGING SPECIFICATION: PK-180416-002
 5. APPLICATION SPECIFICATION: AS-180414-001
 6. FOR USE WITH: CITIZEN COB SERIES CLL040 LED
 7. WIRE GAUGE: 18 OR 20 AWG, SOLID OR STRANDED WITH TIN OVERCOAT. STRIP LENGTH 1CM.
 8. UL:OLFB2 UL496 FILE: E345583 (PENDING)
 9. REFERENCE PS-180414-001 FOR RoHAS REQUIREMENTS.

REVISED AND RELEASED EC NO: SSL2013-0006 DRWN:MCOLE 2012/08/05 CHKD:MCOLE 2012/08/06 APPR:DMCGOWAN 2012/08/06	DESCRIPTION 4	QUALITY SYMBOLS	GENERAL TOLERANCES (UNLESS SPECIFIED)		DIMENSION STYLE MM ONLY		SCALE 2:1	DESIGN UNITS METRIC	THIRD ANGLE PROJECTION	
		$\nabla F=0$	mm	INCH	DRAWN BY MCOLE	DATE 2012/05/21	TITLE CITIZEN COB SERIES CLL040 HS HOLDER ASSEMBLY molex	DOCUMENT NO. SD-180416-104	SHEET NO. 1 OF 2	THIS DRAWING CONTAINS INFORMATION THAT IS PROPRIETARY TO MOLEX INCORPORATED AND SHOULD NOT BE USED WITHOUT WRITTEN PERMISSION
		$\nabla F=0$	4 PLACES \pm ---	\pm ---	CHECKED BY MCOLE	DATE 2012/06/18				
		$\nabla F=0$	3 PLACES \pm ---	\pm ---	APPROVED BY DMCGOWAN	DATE 2012/06/22				
$\nabla F=0$	2 PLACES \pm 0.13	\pm ---	MATERIAL NO. 1804160104							
		1 PLACE \pm 0.25	\pm ---							
		0 PLACE \pm ---	\pm ---							
		ANGULAR \pm 1/2°		DRAFT WHERE APPLICABLE MUST REMAIN WITHIN DIMENSIONS		SIZE B				

9 8 7 6 5 4 3 2 1



RECOMMENDED MOUNTING DIMENSIONS

ENTER DESCRIPTION EC NO: SSL2013-0006 DRAWN: MCOLE 2012/08/05 CHKD: MCOLE 2012/08/06 APPR: DMCGOWAN 2012/08/06 REV 4	QUALITY SYMBOLS $\nabla = 0$ $\nabla = 0$ $\nabla = 0$	GENERAL TOLERANCES (UNLESS SPECIFIED) <table border="1"> <thead> <tr> <th></th> <th>mm</th> <th>INCH</th> </tr> </thead> <tbody> <tr> <td>4 PLACES</td> <td>± ---</td> <td>± ---</td> </tr> <tr> <td>3 PLACES</td> <td>± ---</td> <td>± ---</td> </tr> <tr> <td>2 PLACES</td> <td>± 0.13</td> <td>± ---</td> </tr> <tr> <td>1 PLACE</td> <td>± 0.25</td> <td>± ---</td> </tr> <tr> <td>0 PLACE</td> <td>± ---</td> <td>± ---</td> </tr> </tbody> </table>		mm	INCH	4 PLACES	± ---	± ---	3 PLACES	± ---	± ---	2 PLACES	± 0.13	± ---	1 PLACE	± 0.25	± ---	0 PLACE	± ---	± ---	DIMENSION STYLE MM ONLY	SCALE 2:1	DESIGN UNITS METRIC	THIRD ANGLE PROJECTION
		mm	INCH																					
	4 PLACES	± ---	± ---																					
	3 PLACES	± ---	± ---																					
2 PLACES	± 0.13	± ---																						
1 PLACE	± 0.25	± ---																						
0 PLACE	± ---	± ---																						
DRAFT WHERE APPLICABLE MUST REMAIN WITHIN DIMENSIONS	ANGULAR ± 1/2°	DRAWN BY MCOLE	DATE 2012/05/21	TITLE CITIZEN COB SERIES CLL040 HS HOLDER ASSEMBLY																				
		CHECKED BY MCOLE	DATE 2012/06/18	molex																				
		APPROVED BY DMCGOWAN	DATE 2012/06/22	MATERIAL NO. 9999999999	DOCUMENT NO. SD-180416-104	SHEET NO. 2 OF 2																		