

D

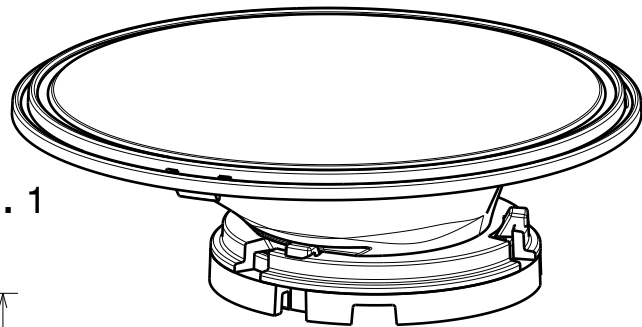
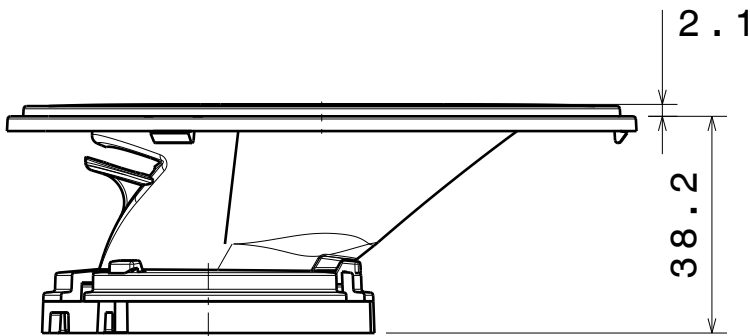
C

B

A

4

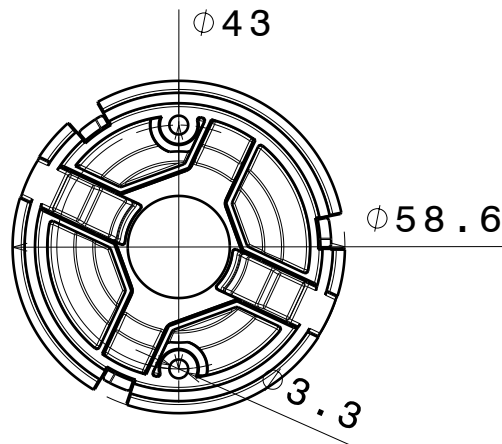
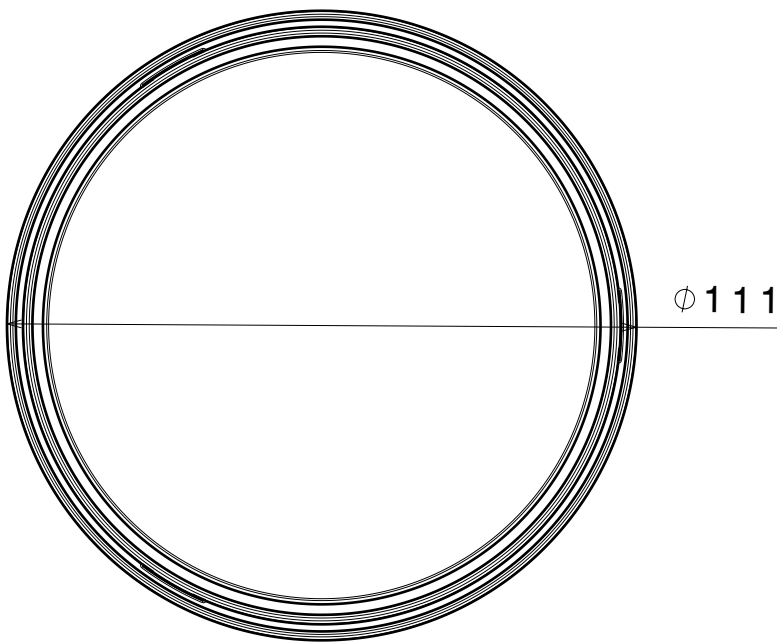
4



Isometric view

3

3



Materials

Reflector: PC  
 Base part: PC  
 Sublens: PC

Note: Using additional sublens add 2,1mm to total height.

2

2

This drawing is our property.  
 It can't be reproduced  
 or communicated without  
 our written agreement.

**LEDiL** LediL Oy  
 Salorankatu 10  
 FIN 24240 SALO  
 Finland

DRAWING TITLE Mechanical drawing

DRAWN BY as  
 DATE 26.9.2012

LENA-WAS

CHECKED BY VS  
 DATE -

SIZE A4 PART NUMBER REV 001

DESIGNED BY -  
 DATE -

SCALE 2:3 WEIGHT - mg SHEET 1/1

1

1

D

A