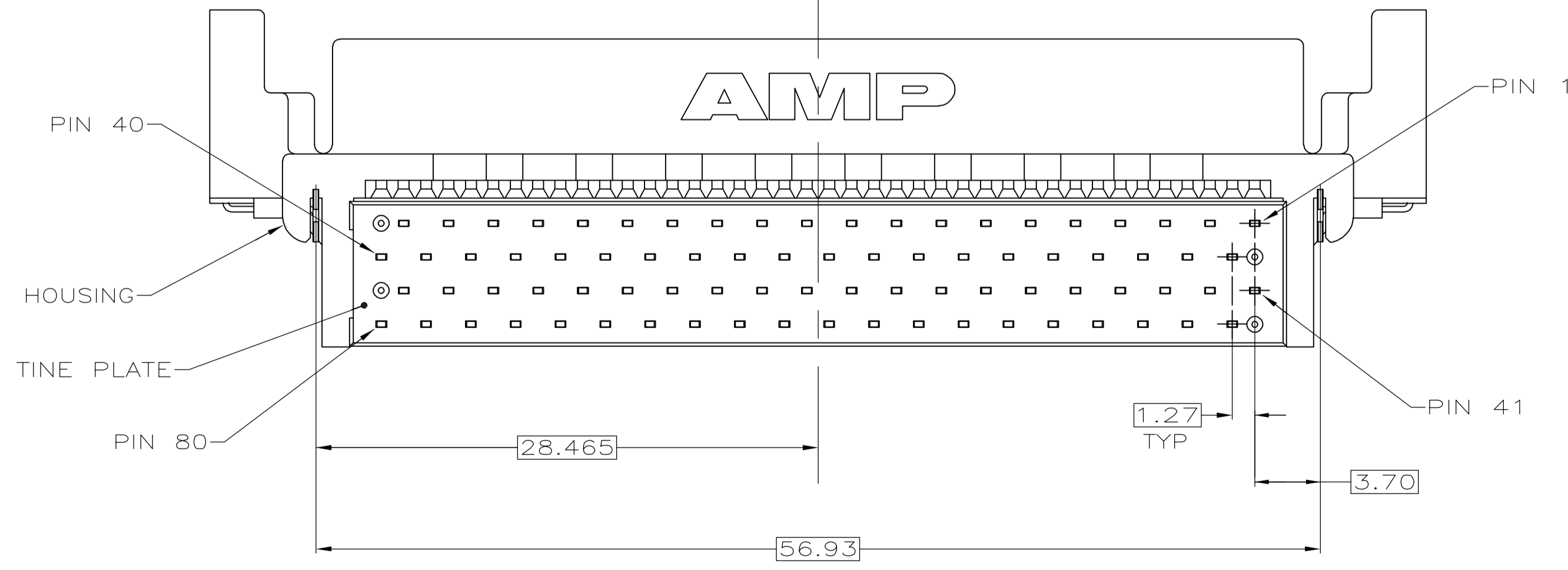
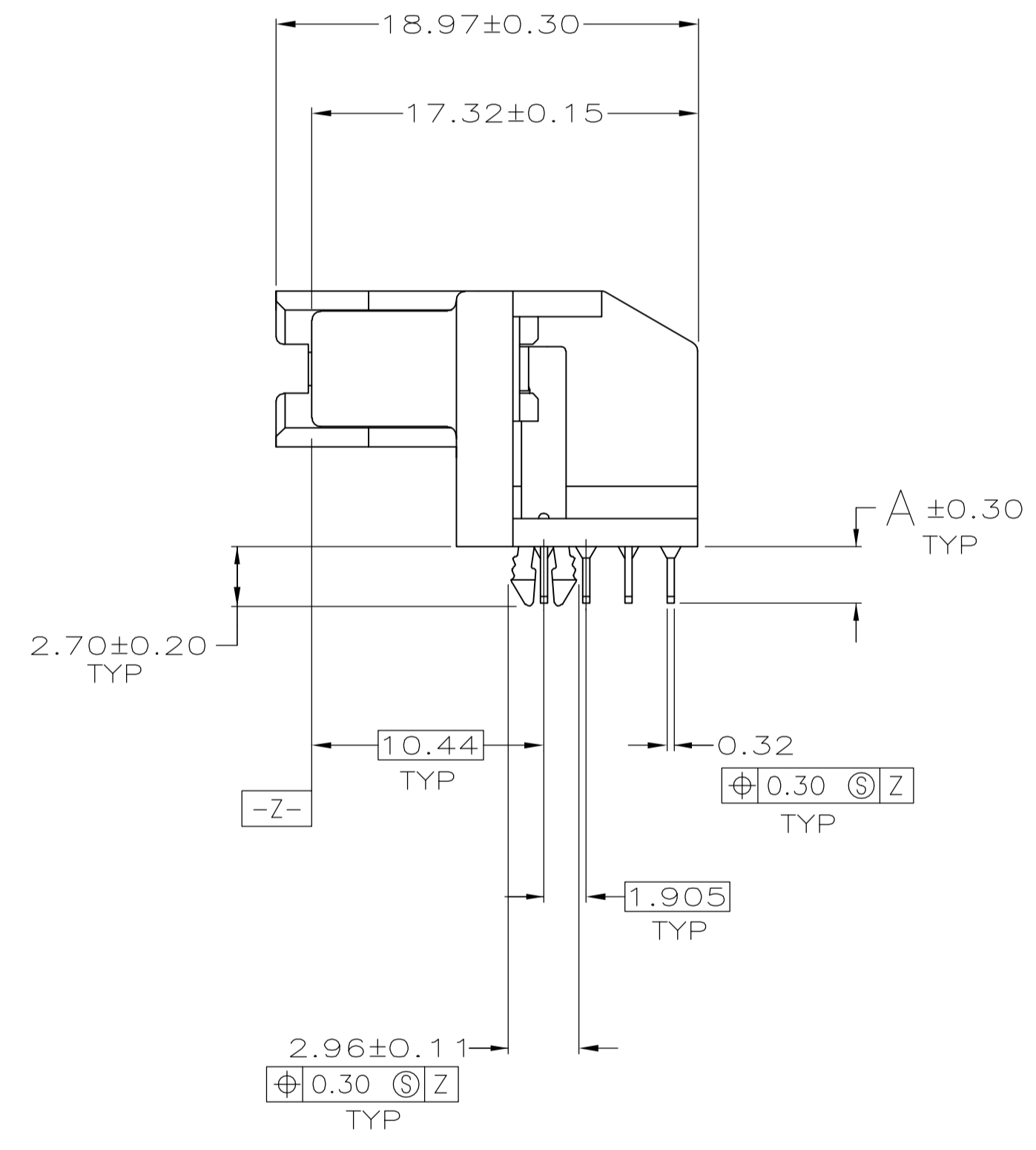
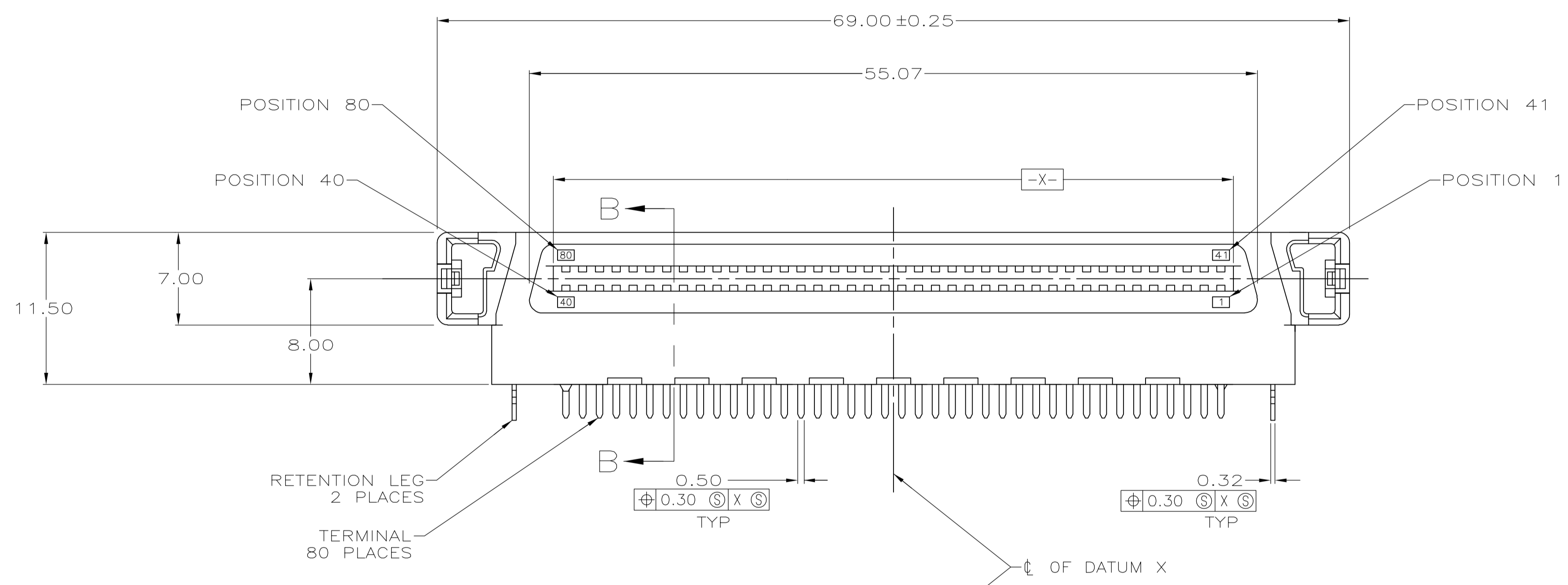
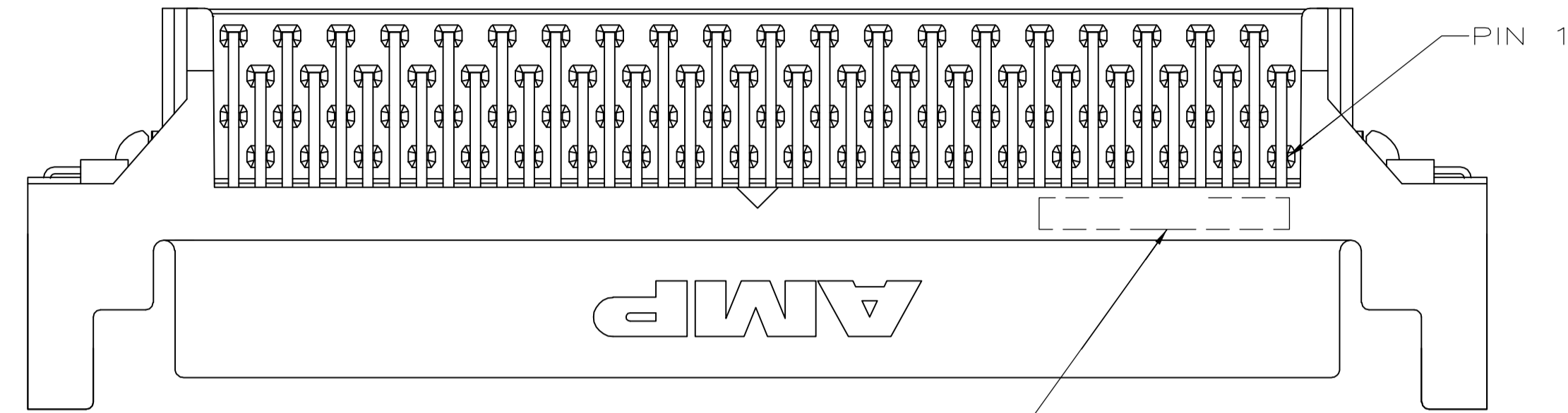


THIS DRAWING IS UNPUBLISHED. RELEASED FOR PUBLICATION. ALL RIGHTS RESERVED.
 © COPYRIGHT BY TYCO ELECTRONICS CORPORATION.

LOC		DIST		REVISIONS			
P	LTR	DESCRIPTION	DATE	DWN	APVD	REV	REV
M	REV PER EC	OS13-0631-04	12MAY2005	EB	EB		

- △ HOUSING AND TINE PLATE: LCP, UL 94V-0 RATED, BLACK.
TERMINALS: PHOSPHOR BRONZE.
RETENTION LEGS: BRASS.
- △ TERMINALS: 0.76µm MIN GOLD FOR A LENGTH 1.20 MIN STARTING 0.50 MAX FROM MATING END, 3.81µm MIN TIN-LEAD FOR A LENGTH OF 3.40 MIN FROM OPPOSITE END, BOTH OVER 1.27µm MIN NICKEL.
RETENTION LEGS: 3.81µm MIN TIN-LEAD OVER 1.27µm MIN NICKEL.
- △ CONNECTOR WILL ACCOMMODATE MATING PRINTED CIRCUIT BOARD OF 1.60±0.07.
- △ CONTACTS 1, 36 THRU 40, 41 THRU 43, 45, 46 AND 75 THRU 80 ARE POSITIONED TOWARD THE MATING FACE. (FIRST MATE)
- △ CONTACTS 2 THRU 35, 44, AND 47 THRU 74 ARE POSITIONED AWAY FROM THE MATING FACE. (SECOND MATE)
- △ TERMINALS: 0.76µm MIN GOLD FOR A LENGTH 1.20 MIN STARTING 0.50 MAX FROM MATING END, 3.81µm MIN TIN FOR A LENGTH OF 3.40 MIN FROM OPPOSITE END, BOTH OVER 1.27µm MIN NICKEL.
RETENTION LEGS: 3.81µm MIN TIN OVER 1.27µm MIN NICKEL.



YES	△6	3.05	80	787535-4
YES	△6	2.54	80	787535-3
NO	△2	3.05	80	787535-2
NO	△2	2.54	80	787535-1
LEAD FREE	FINISH	A	NO OF POSN	PART NUMBER

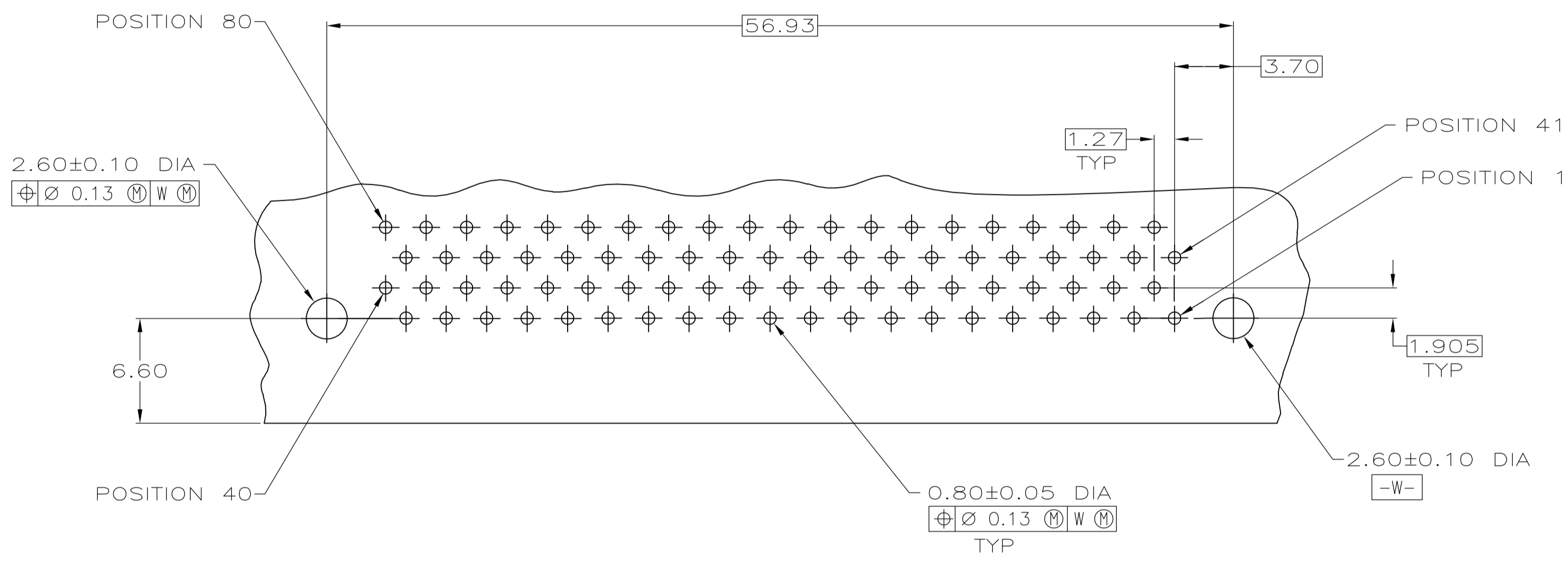
THIS DRAWING IS A CONTROLLED DOCUMENT.

DIMENSIONS:	TOLERANCES UNLESS OTHERWISE SPECIFIED:	DWN	B. MCMASTER	29MAR04		Tyco Electronics Corporation
mm	0 PLC ± - 1 PLC ± - 2 PLC ± 0.10 3 PLC ± - 4 PLC ± - ANGLES ± -	CHK	S. SHUEY	29MAR04		Harrisburg, Pa 17105-3608
		APVD	M. WALMSLEY	29MAR04	NAME	RECEPTACLE ASSEMBLY, RIGHT ANGLE, BOARD-TO-BOARD, .050, SERIES I, CHAMP BLINDMATE
		PRODUCT SPEC	108-1548-2		SIZE	A1
		APPLICATION SPEC	114-6061		CAGE CODE	00779
MATERIAL	SEE TABLE	WEIGHT	-		DRAWING NO	787535
		CUSTOMER DRAWING			SCALE	4:1

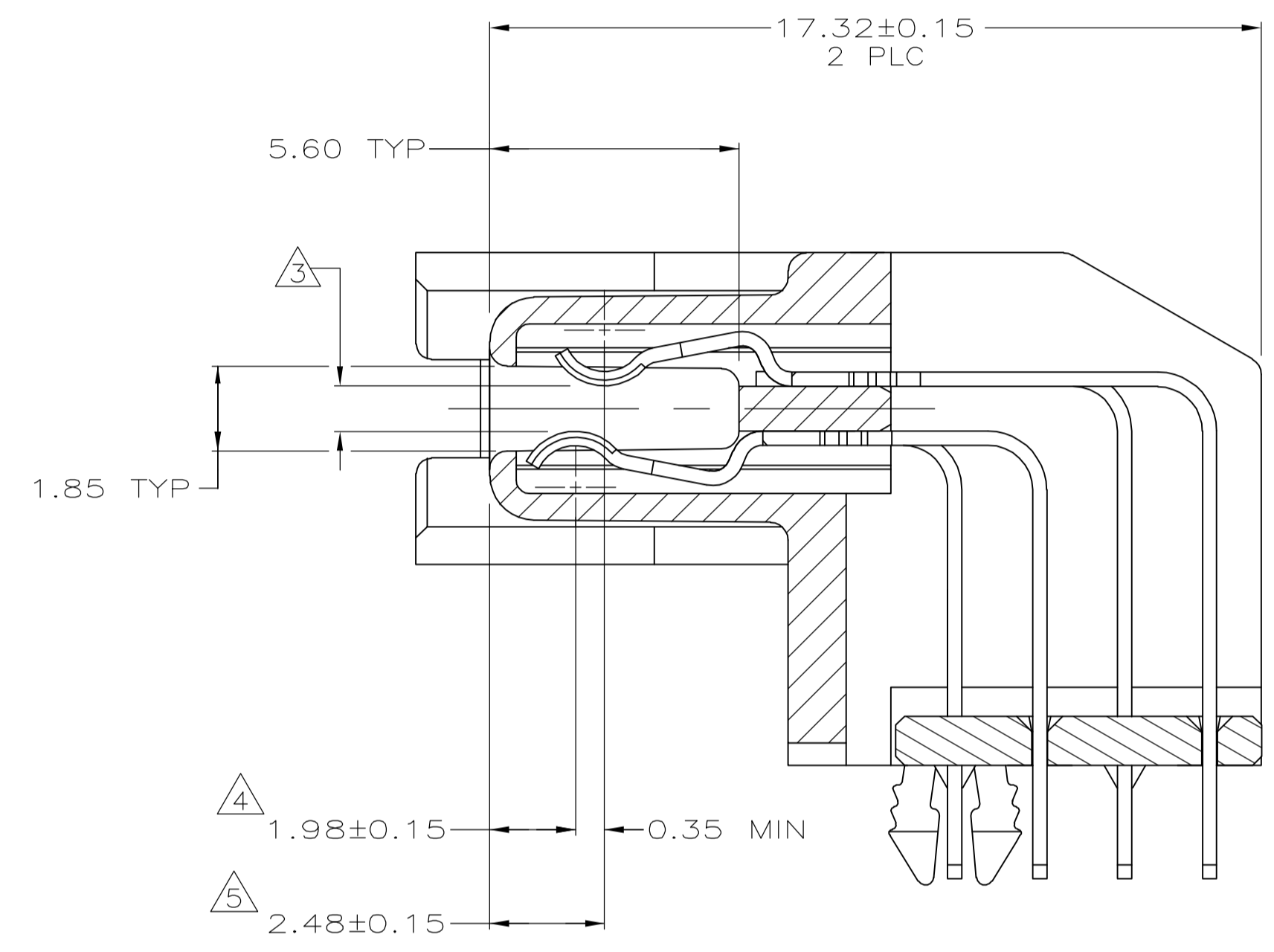
RESTRICTED TO SHEET 1 OF 2 REV M

THIS DRAWING IS UNPUBLISHED. RELEASED FOR PUBLICATION
 © COPYRIGHT BY TYCO ELECTRONICS CORPORATION. ALL RIGHTS RESERVED.

LOC		DIST		REVISIONS			
P	LTR	DESCRIPTION	DATE	DN	APVD		
GP	00	SEE SHEET 1					



RECOMMENDED PC BOARD
 MOUNTING DIMENSIONS
 COMPONENT SIDE



SECTION B-B
 SCALE 8:1

THIS DRAWING IS A CONTROLLED DOCUMENT.		DWN B MCMASTER 29MAR04		Tyco Electronics Corporation Harrisburg, Pa 17105-3608	
DIMENSIONS: mm		CHK S SHUEY 29MAR04		NAME RECEPTACLE ASSEMBLY, RIGHT ANGLE, BOARD-TO-BOARD, .050, SERIES I, CHAMP BLINDMATE	
TOLERANCES UNLESS OTHERWISE SPECIFIED: 0 PLC ± - 1 PLC ± - 2 PLC ± 0.10 3 PLC ± - 4 PLC ± - ANGLES ± -		APVD M WALMSLEY 29MAR04	PRODUCT SPEC 108-1548-2 APPLICATION SPEC 114-6061		
MATERIAL -		FINISH -	WEIGHT -	SIZE A1	CAGE CODE 00779 DRAWING NO. C=787535 CUSTOMER DRAWING
			SCALE 4:1	SHEET 2 OF 2	REV M