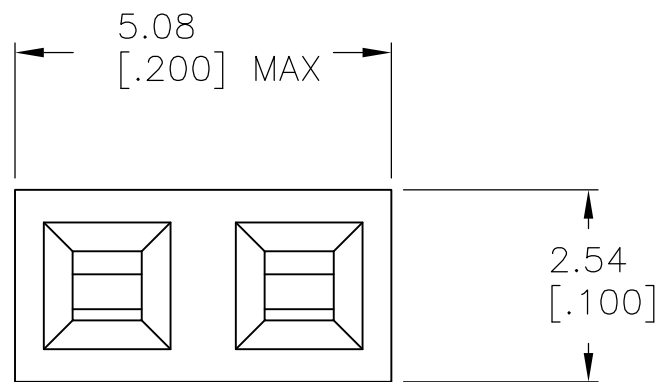
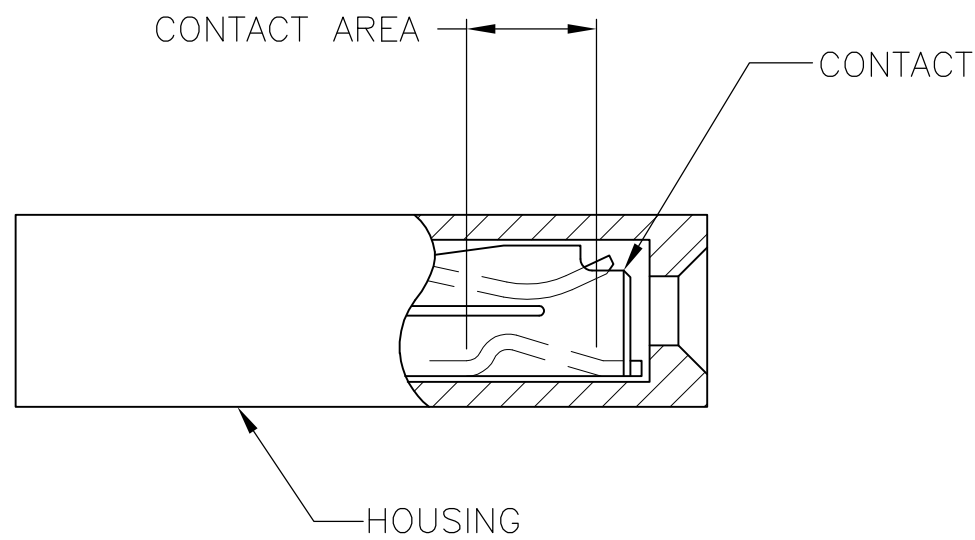
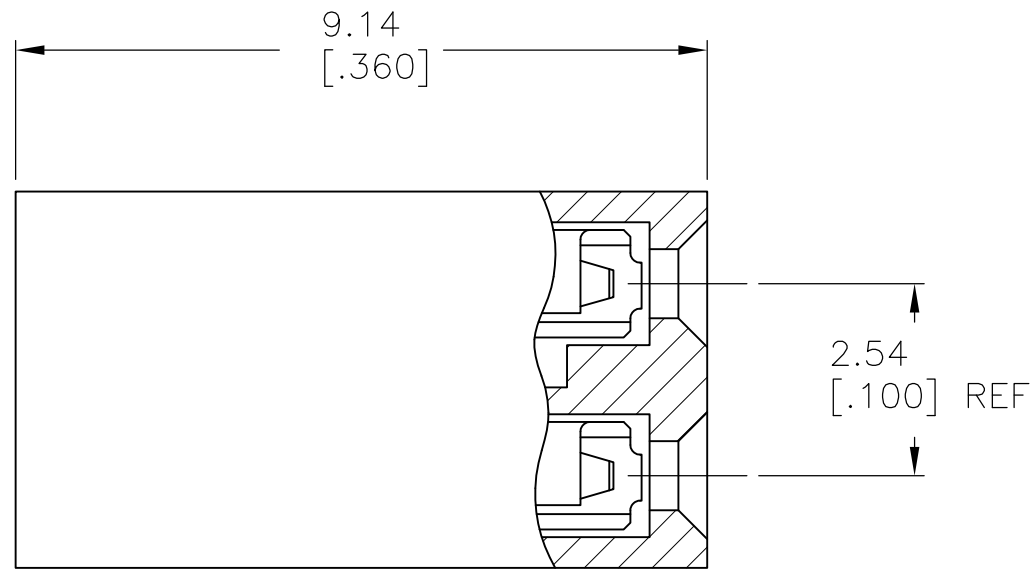


THIS DRAWING IS UNPUBLISHED. RELEASED FOR PUBLICATION  
 © COPYRIGHT - By - ALL RIGHTS RESERVED.

LOC		DIST		REVISIONS			
P	LTR	DESCRIPTION		DATE	DWN	APVD	
	T1	REVISED PER ECO-11-004917		11MAR11	RK	HMR	



- 1 MATERIAL:  
HOUSING: FLAME RETARDANT NYLON, 94V-O,  
OR FLAME RETARDANT POLYESTER 94V-O.  
CONTACT: PHOSPHOR BRONZE.
- 2 CONTACT PLATED WITH 0.00076 [.000030] GOLD INLAY OVER  
0.00076 [.000030] NICKEL IN CONTACT AREA ONLY.
- 3 CONTACT PLATED WITH 0.0013 [.000050] GOLD INLAY OVER  
0.00076 [.000030] NICKEL IN CONTACT AREA ONLY.
- 4 CONTACT PLATED WITH 0.0025 [.000100] TIN OVER ALL.
- 5 CONTACT PLATED WITH 0.00038 [.000015] GOLD INLAY OVER  
0.00076 [.000030] NICKEL IN CONTACT AREA ONLY.
- 6 HOUSING CUT-OFF BURR NOT EXCEED 0.13 [.005].
- 7 CONNECTOR MATES WITH 0.61 [.024] TO 0.66 [.026] SQUARE  
PIN. PIN LENGTH 4.45 [.175] MIN. TO 8.38 [.330] MAX.
- 8 CONTACT PLATED WITH 0.0025 [.000100] MATTE TIN OVER ALL.

	8	BLACK	4-530153-1
OBSOLETE	5	BLACK	3-530153-2
		BLACK	2-530153-2
OBSOLETE	4	NATURAL	2-530153-1
OBSOLETE	3	BLACK	1-530153-2
OBSOLETE		RED	1-530153-0
OBSOLETE		BLUE	530153-6
OBSOLETE	2	YELLOW	530153-4
		BLACK	530153-2
OBSOLETE		NATURAL	530153-1
	FINISH	HOUSING COLOUR	PART NO

THIS DRAWING IS A CONTROLLED DOCUMENT.		DWN	R.TALLEY	12MAR91
DIMENSIONS: mm[INCHES]		CHK	R.MILLER	19MAR91
TOLERANCES UNLESS OTHERWISE SPECIFIED:		APVD	D.HUFFMAN	19MAR91
0 PLC	± -	PRODUCT SPEC	108-9062	
1 PLC	± -	APPLICATION SPEC	114-1045	
2 PLC	± 0.25 [.010]	WEIGHT	-	
3 PLC	± -	FINISH	SEE TABLE	
4 PLC	± -	MATERIAL 1		
ANGLES	± -	CUSTOMER DRAWING		
MATERIAL 1		FINISH SEE TABLE		
FINISH		SEE TABLE		
DWN		R.TALLEY 12MAR91		
CHK		R.MILLER 19MAR91		
APVD		D.HUFFMAN 19MAR91		
PRODUCT SPEC		108-9062		
APPLICATION SPEC		114-1045		
WEIGHT		-		
FINISH		SEE TABLE		
MATERIAL 1		CUSTOMER DRAWING		
NAME		TANDEM SPRING SHUNT CONNECTOR 2 POSITION, 2.54 [.100] CL		
SIZE	CAGE CODE	DRAWING NO	RESTRICTED TO	
A2	00779	C=530153	-	
SCALE	SHEET	1 OF 1	REV	T1
10:1	1			