

DETAILS

Product Number	C15985_STRADELLA-8-HV-HB-W
Family	Stradella
Type	Lens array
Color	clear
Diameter	49,5+49,5 mm
Height	7,12 mm
Style	rectang
Optic Material	
Holder Material	
Fastening	pin, screw
Status	production ready
ROHS Compliant	Yes
Date Updated	10/03/2017



OPTICAL PROPERTIES

LED	Viewing	Light	Effi-		Connector
	Angle	Beam	ciency	cd/lm	
XP-G3	sim: 94	Wide	sim: 91 %	sim: 0.430	-
XT-E	sim: 87	Wide	sim: 92 %	sim: 0.461	-
LUXEON HR30	sim: 82	Wide	sim: 93 %	sim: 0.530	-
LUXEON 3535L HE	sim: 80	Wide	sim: 94 %	sim: 0.540	-
LUXEON 3030 2D	sim: 87	Wide	sim: 94 %	sim: 0.500	-
LUXEON TX	sim: 84	Wide	sim: 92 %	sim: 0.460	-
NVSxx19B/NVSxx19C	sim: 95	Wide	sim: 91 %	sim: 0.440	-
Z8Y19	100 deg	Wide	94 %	0.390	-

H G F E D C B A

4

3

2

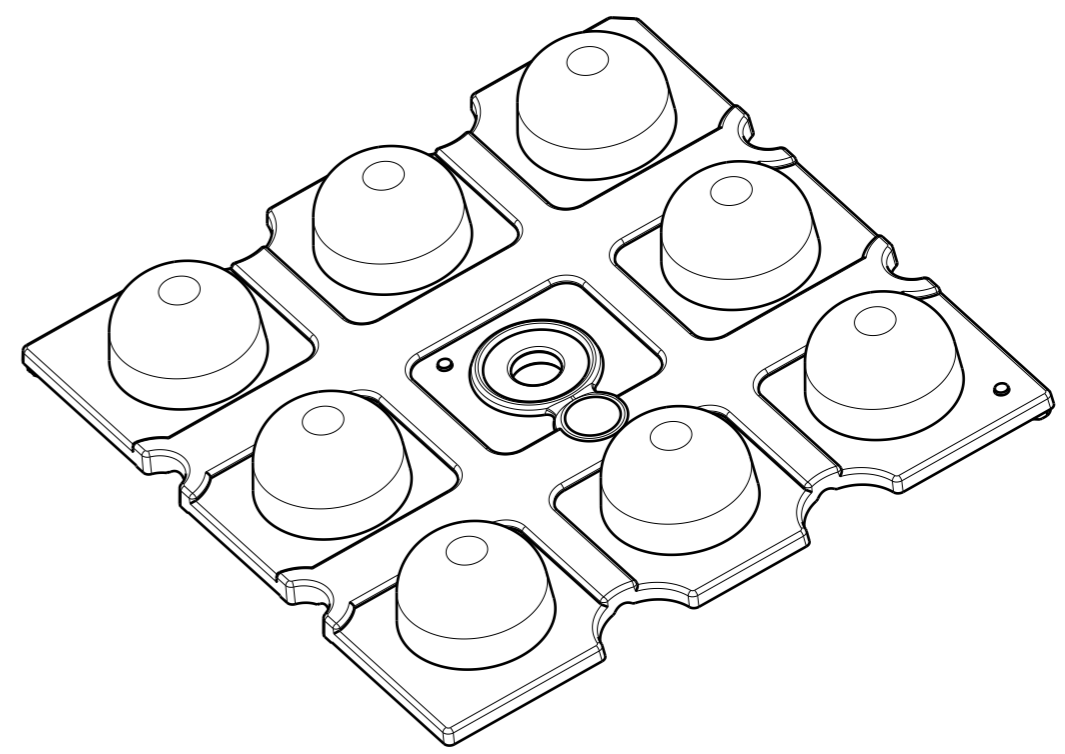
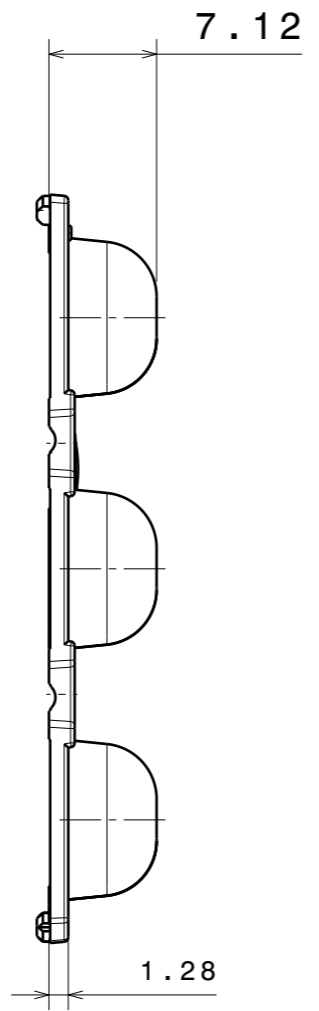
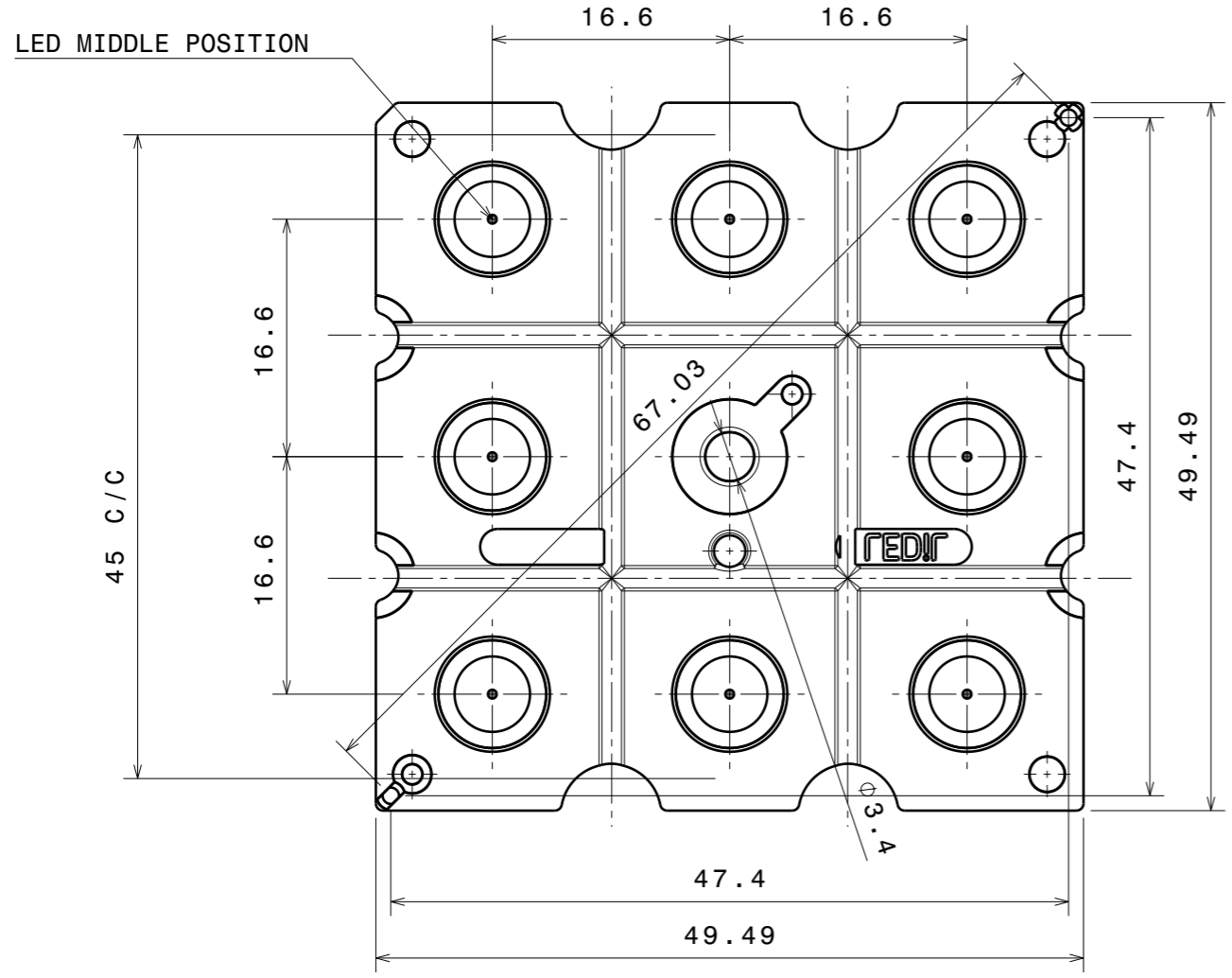
1

4

3

2

1



INDEX	PART NO	DESCRIPTION	MATERIAL	COLOUR
1	-	-	-	-

Tolerances if not otherwise shown
 According to DIN ISO 2768-1
 Linear measures:
 up to 30mm class M, otherwise class C
 According to DIN ISO 2768-2
 Form and position: class L

LEDiL LediL Oy
 Salorankatu 10
 FIN 24240 SALO
 Finland

THIRD ANGLE PROJECTION:

DRAWING TITLE
Datasheet_STRADELLA-HV-HB-W

This drawing is the property
 of LEDiL Oy. It may not be
 reproduced, copied or
 communicated without a written
 agreement with LEDiL Oy.

SIZE PART NUMBER
A3 -

SCALE 2:1 WEIGHT g SHEET 1/1

H G B A

NOTE: The typical divergence will be changed by different color, chip size and chip position tolerance. The typical total divergence is the full angle measured where the luminous intensity is half of the peak value.