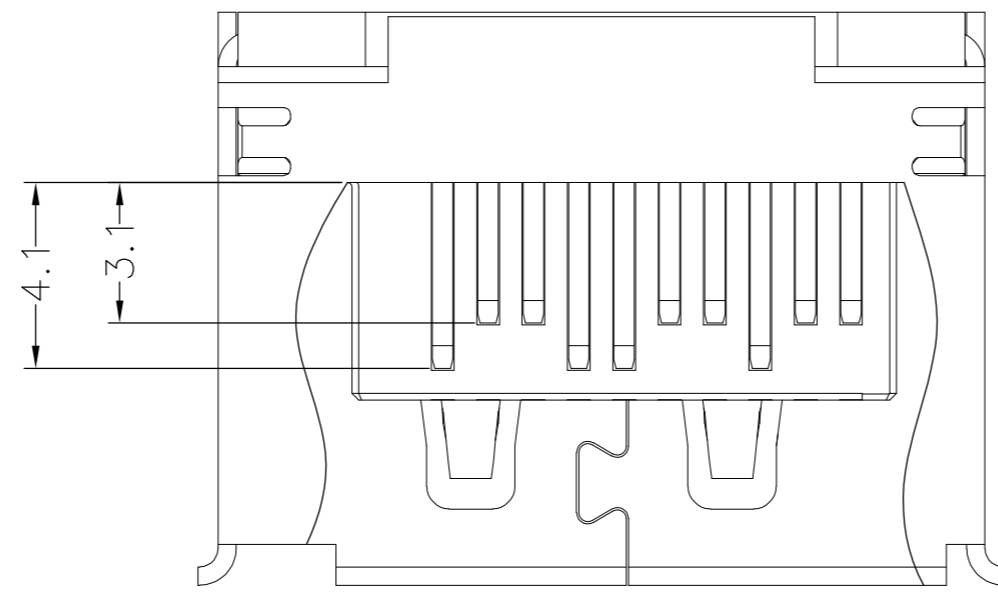
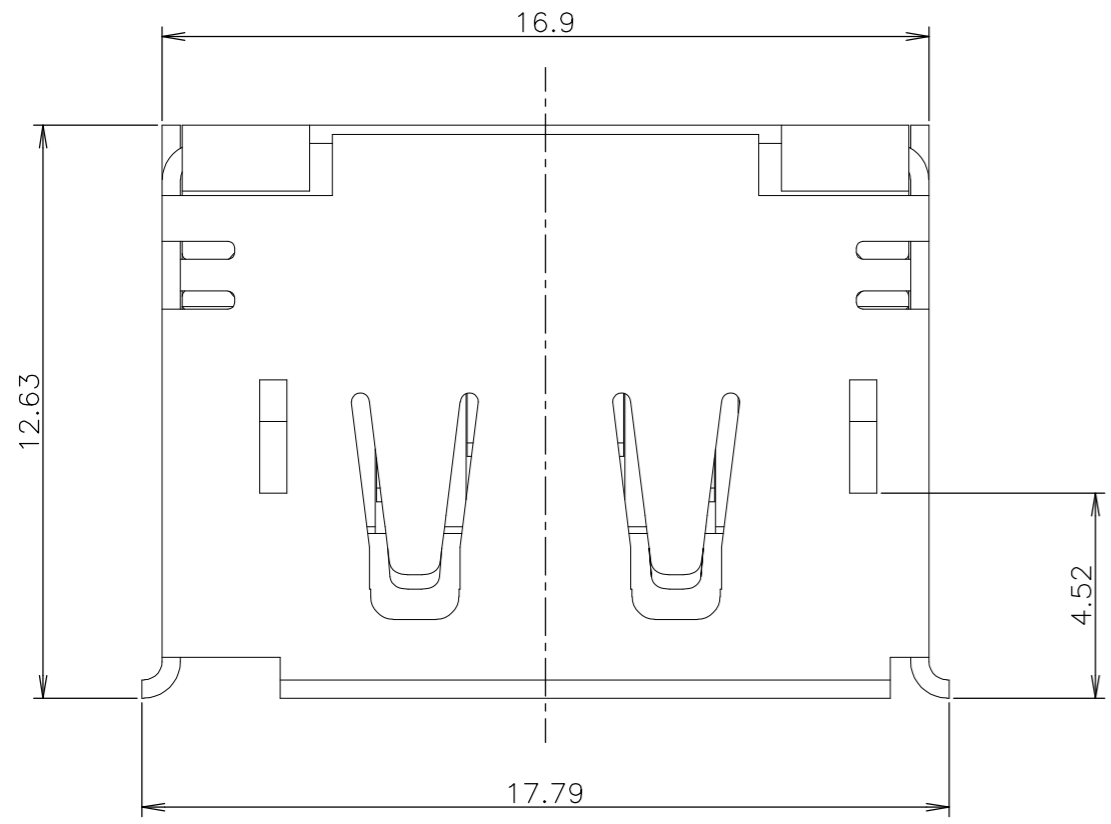
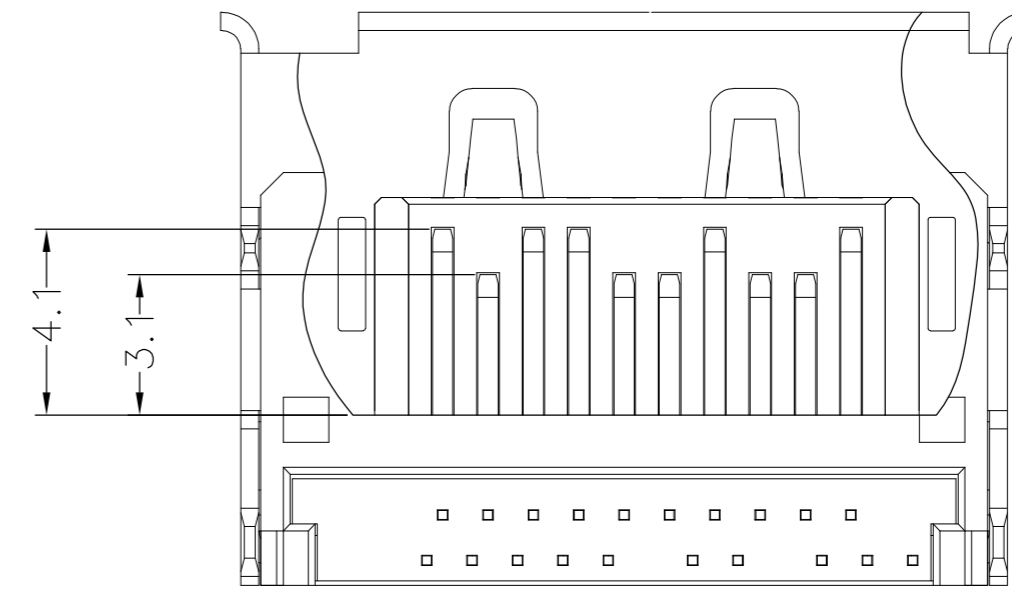


THIS DRAWING IS UNPUBLISHED. RELEASED FOR PUBLICATION JAN , 2008.
 © COPYRIGHT 2008 By - ALL RIGHTS RESERVED.

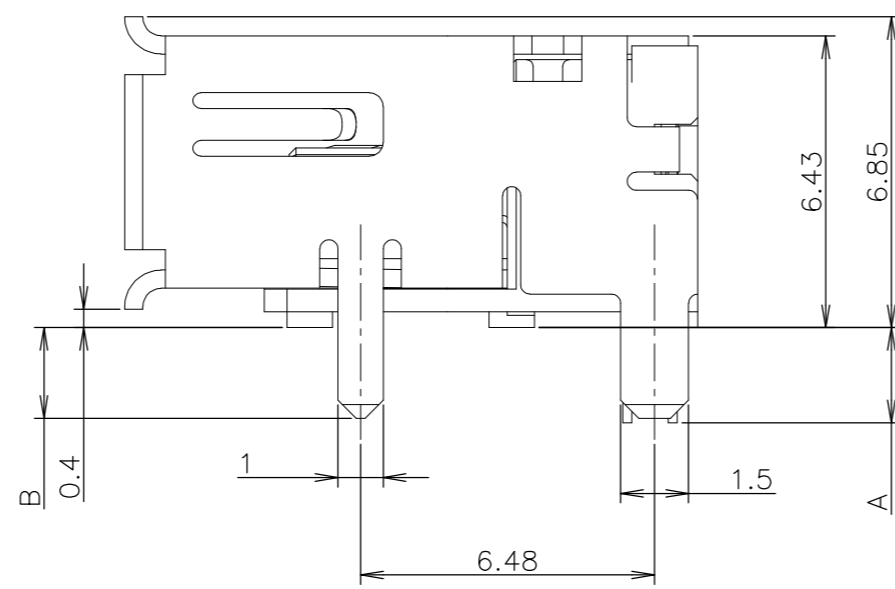
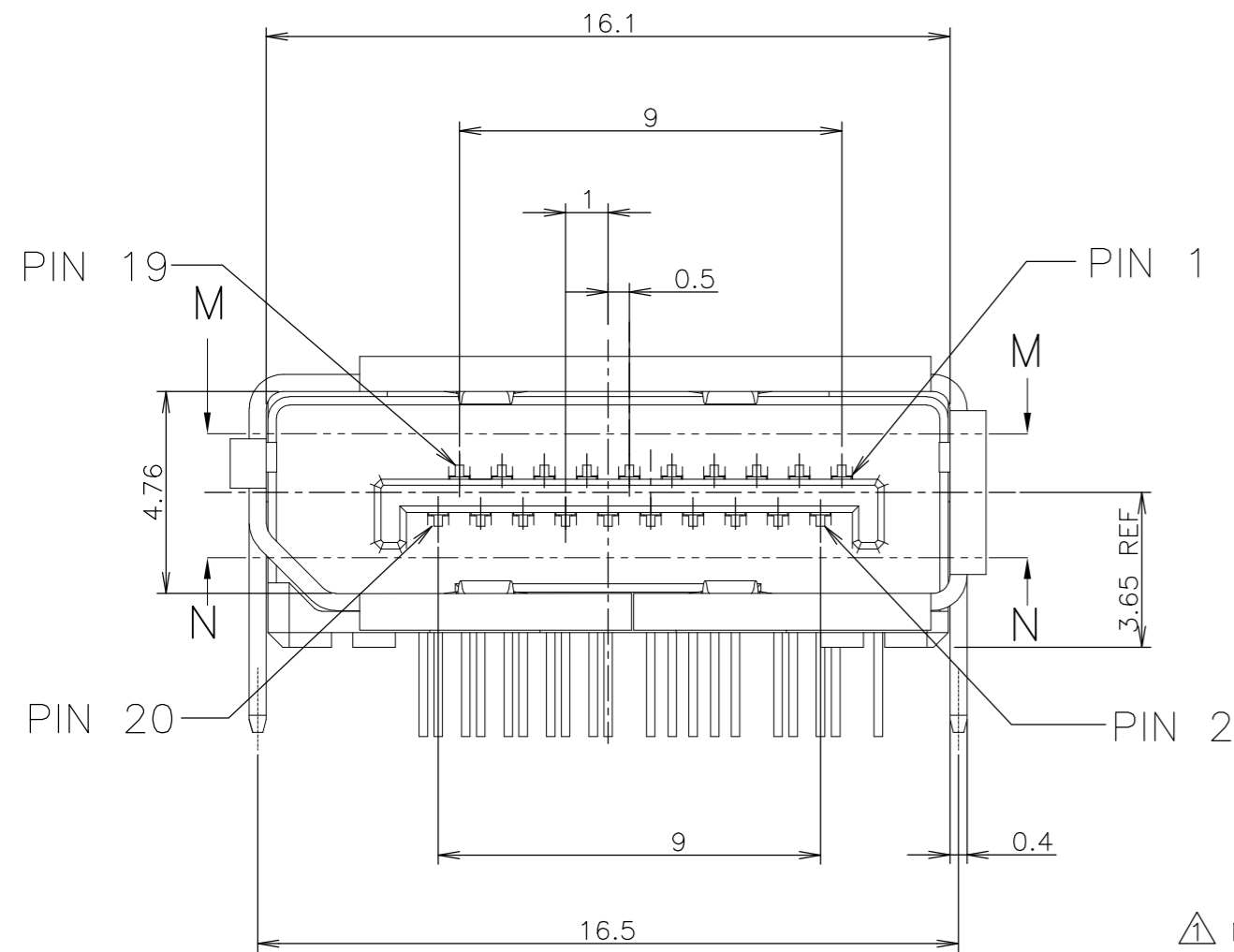
LOC		DIST		REVISONS			DATE	DWN	APVD
DW		/		P	LTR	DESCRIPTION			
				C1		REVISED PER ECO-11-005027	11MAR11	RK	HMR



© M-M



© N-N



- △ MATERIAL:
HOUSING: HIGH TEMPERATURE THERMAL PLASTIC, BLACK, UL94V-0.
CONTACT: COPPER ALLOY.
SHELL: COPPER ALLOY.
- △ FINISH:
CONTACT:
CONTACT AREA: GOLD PLATING (SEE TABLE)
③ SOLDER TAIL AREA: 2.54 MINIMUM MICRON MATTE TIN PLATING.
UNDER PLATING: 1.27 MINIMUM MICRON NICKEL PLATING OVERALL.
- SHELL:
③③ 2.0 MINIMUM MICRON NICKEL UNDERPLATING ALL OVER
- ③ 3. LOW HALOGEN SPECIFICATION
CHLORINE(Cl) : 900 ppm MAX.
BROMINE(Br) : 900 ppm MAX.
CHLORINE(Cl) & BROMINE(Br) : 1500 ppm MAX.

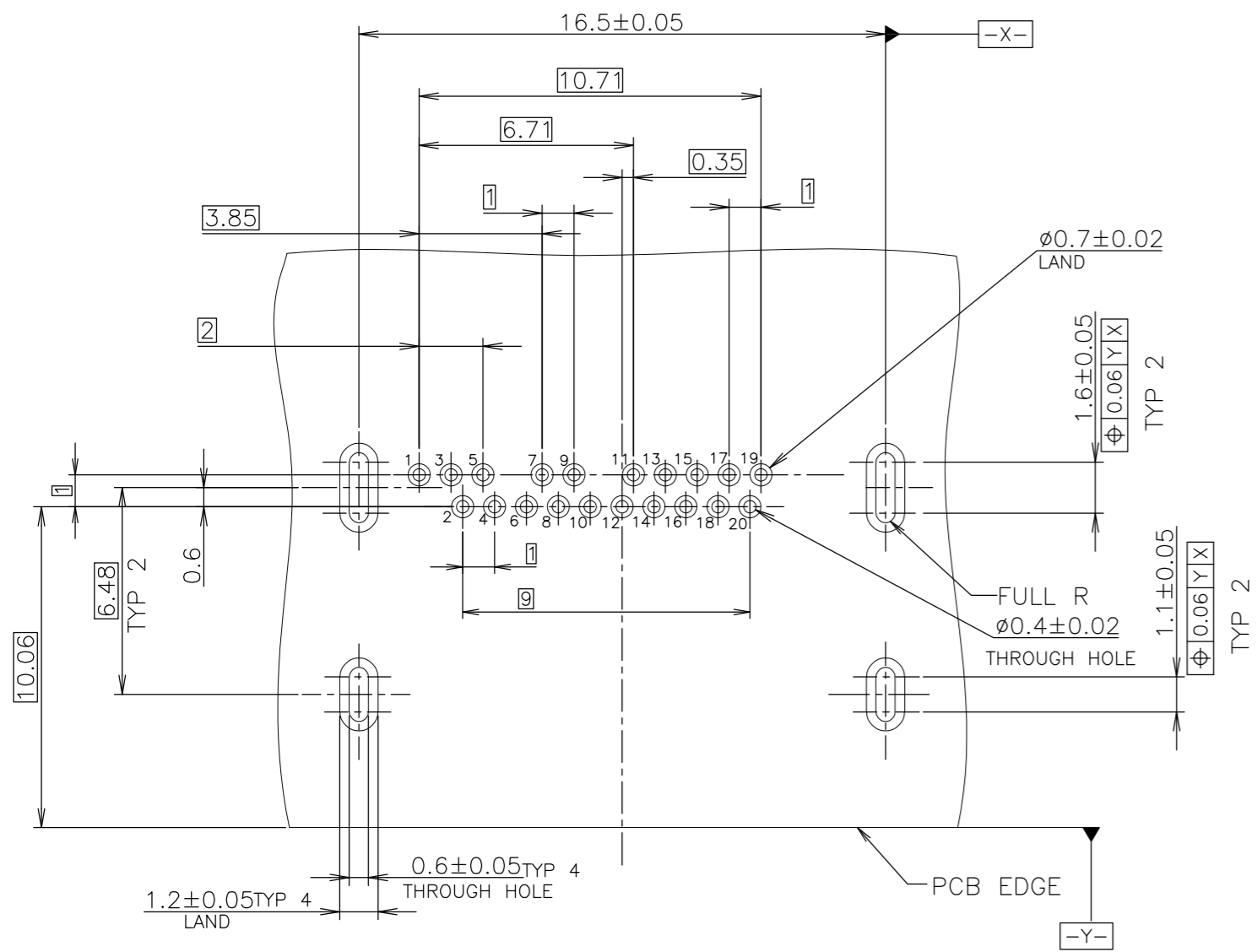
③	1.8	1.8	0.76	9-	-1	SEE SHEET 5
			GOLD FLASH	4-	-3	SEE SHEET 4
②	1.8	1.8	0.38	4-	-2	SEE SHEET 4
			0.76	4-	-1	SEE SHEET 4
	2	2.1	GOLD FLASH		-3	SEE SHEET 3
			0.38		-2	SEE SHEET 3
			0.76			2040451-1
	DIM B	DIM A	△ Au (MIN. um)		P/N	PACKING

THIS DRAWING IS A CONTROLLED DOCUMENT.

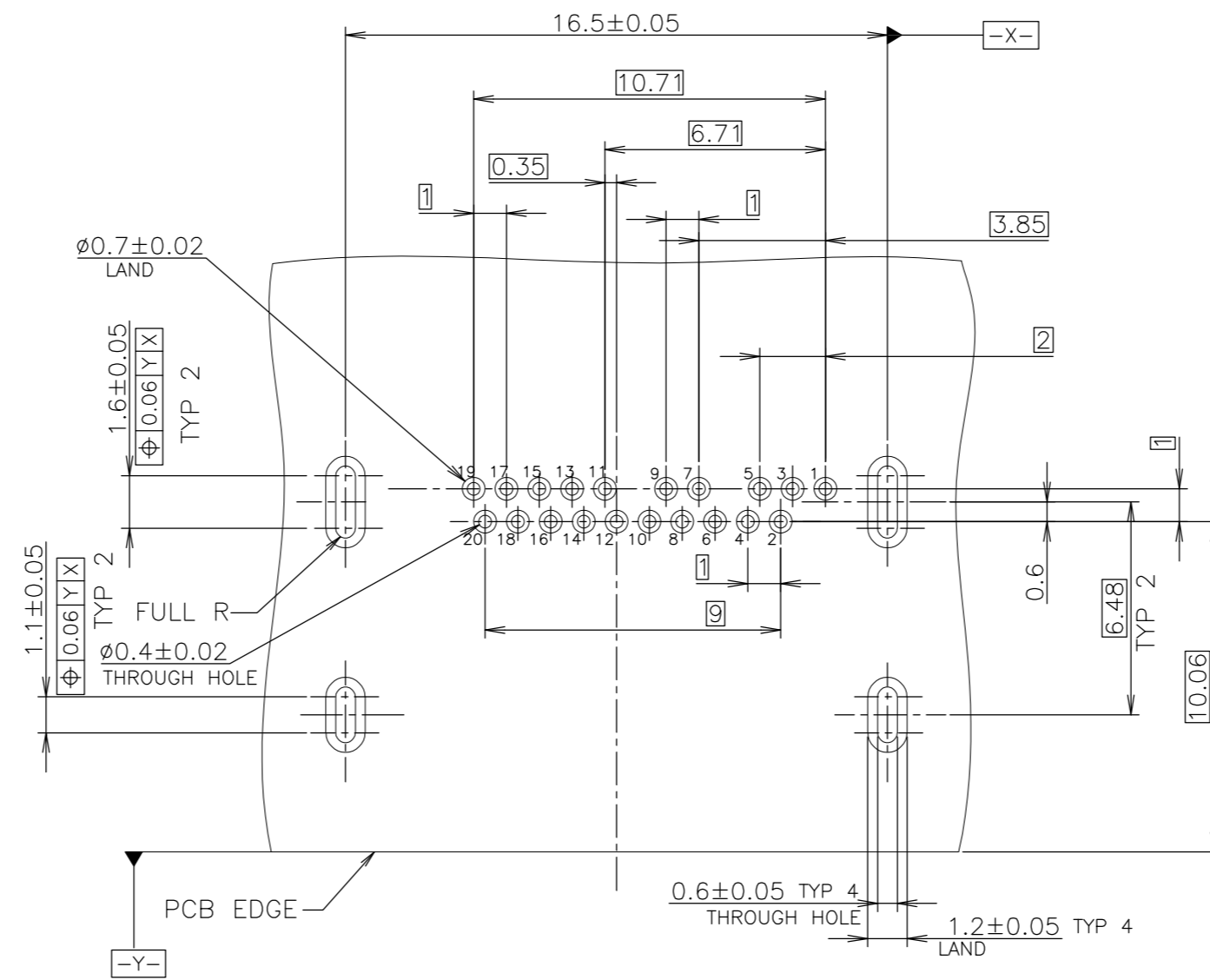
DIMENSIONS: 單位: 耗 mm	TOLERANCES UNLESS OTHERWISE SPECIFIED: 一般公差	DWN Y.HIRATA 19MAR2008	TE Connectivity	
		CHK T.KUSUHARA 19MAR2008	RECEPTACLE ASSEMBLY	
		APVD T.KUSUHARA 19MAR2008	DISPLAYPORT RA TH 2ROW TINE	
MATERIAL 材料	FINISH 仕上	PRODUCT SPEC 製品規格 108-78515	SIZE A2	CAGE CODE 00779
WEIGHT		APPLICATION SPEC 取付適用規格	DRAWING NO C=2040451	RESTRICTED TO
CUSTOMER DRAWING			SCALE 尺度 6:1	SHEET 1 of 5

THIS DRAWING IS UNPUBLISHED. RELEASED FOR PUBLICATION JAN , 2008.
 © COPYRIGHT 2008 By - ALL RIGHTS RESERVED.

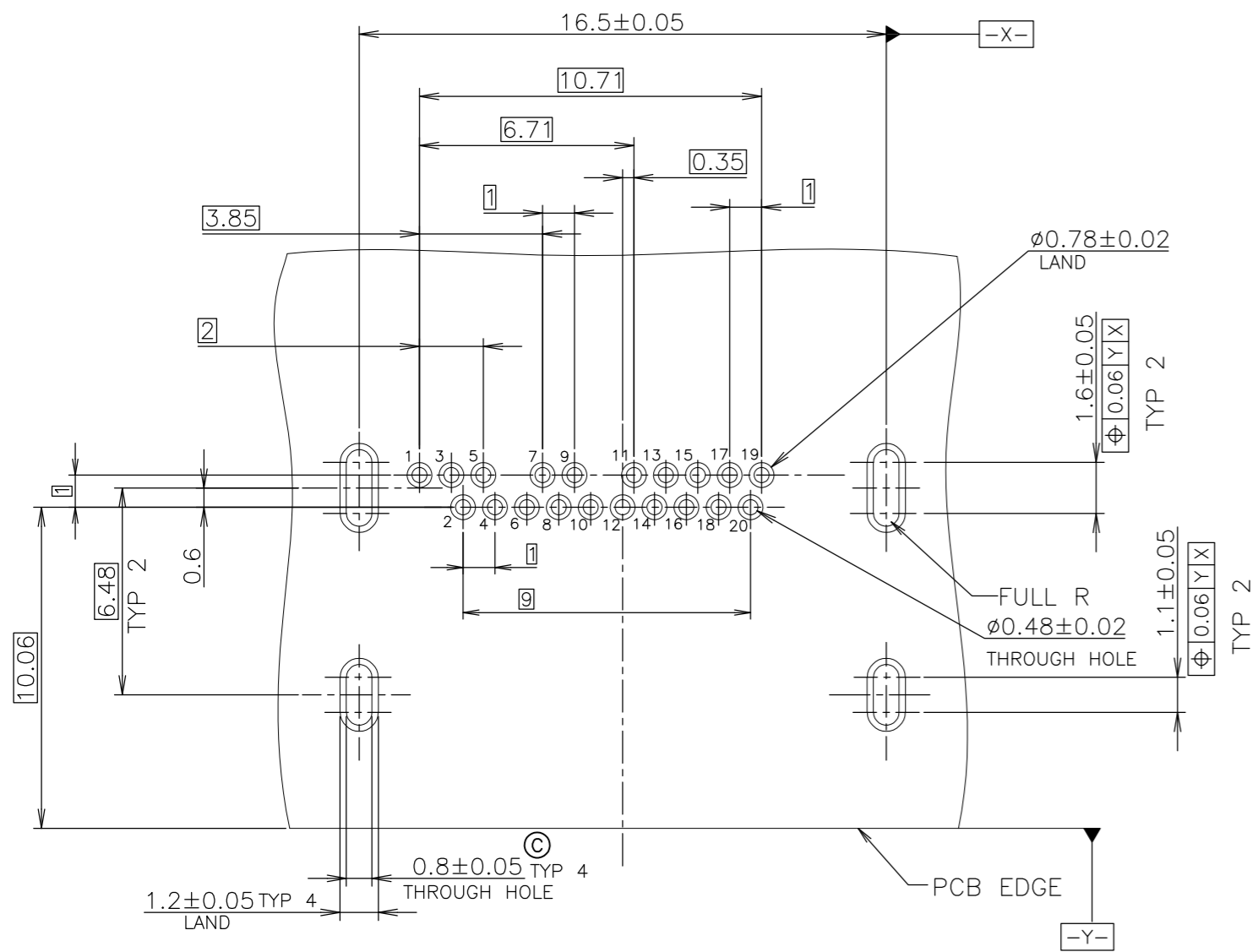
LOC	DIST	REVISIONS					
J		P	LTR	DESCRIPTION	DATE	DWN	APVD
		-	-	SEE SHEET 1	-	-	-



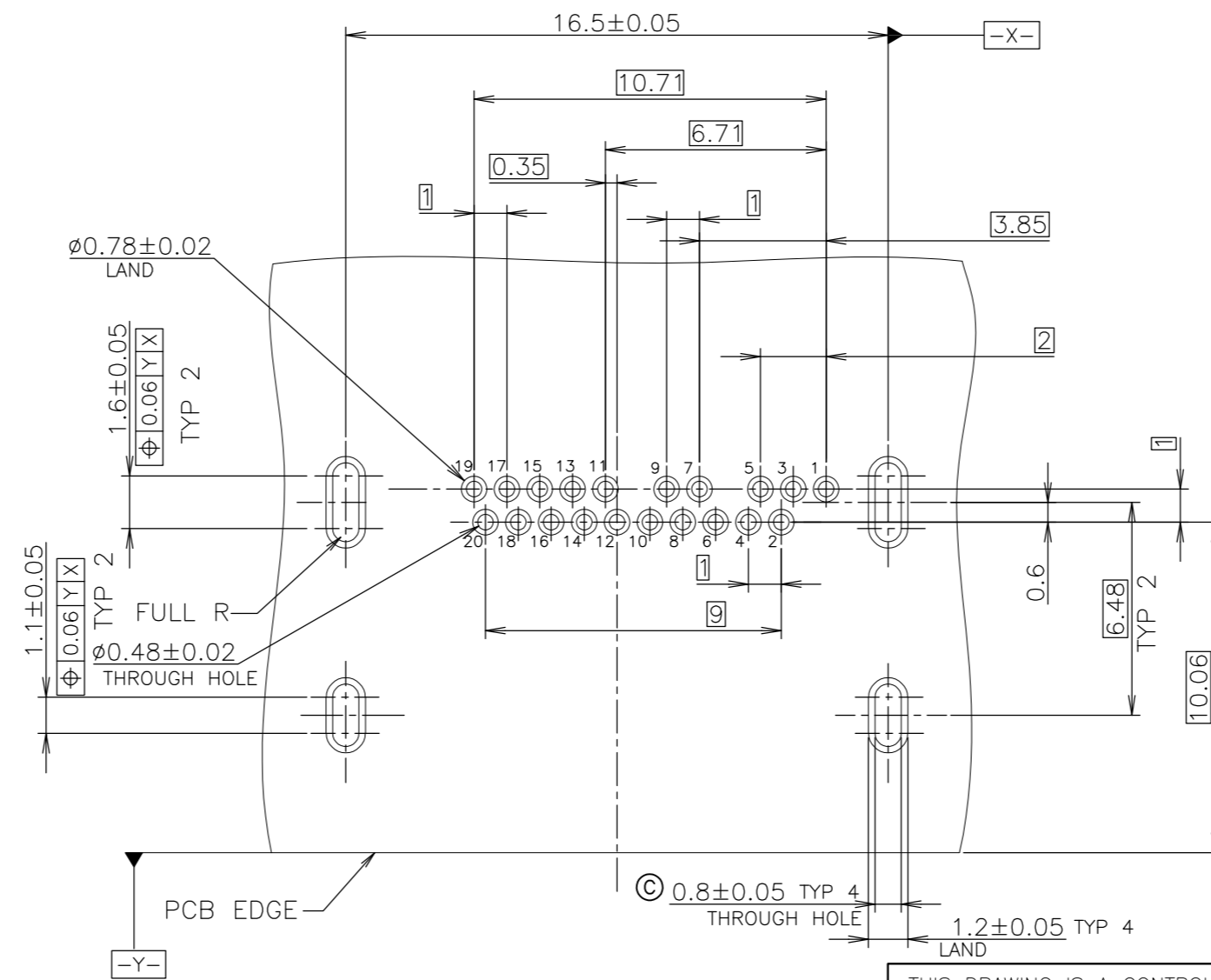
RECOMMENDED PCB LAYOUT (THICKNESS=1.6±0.1)
 BOTTOM VIEW
 (FOR 2040451-1 ~ -3)



RECOMMENDED PCB LAYOUT (THICKNESS=1.6±0.1)
 TOP VIEW
 (FOR 2040451-1 ~ -3)



ⓐ RECOMMENDED PCB LAYOUT (THICKNESS=1.6±0.1)
 BOTTOM VIEW
 (FOR 4-2040451-1 ~ -3)
 © (FOR 9-2040451-1)



ⓐ RECOMMENDED PCB LAYOUT (THICKNESS=1.6±0.1)
 TOP VIEW
 (FOR 4-2040451-1 ~ -3)
 © (FOR 9-2040451-1)

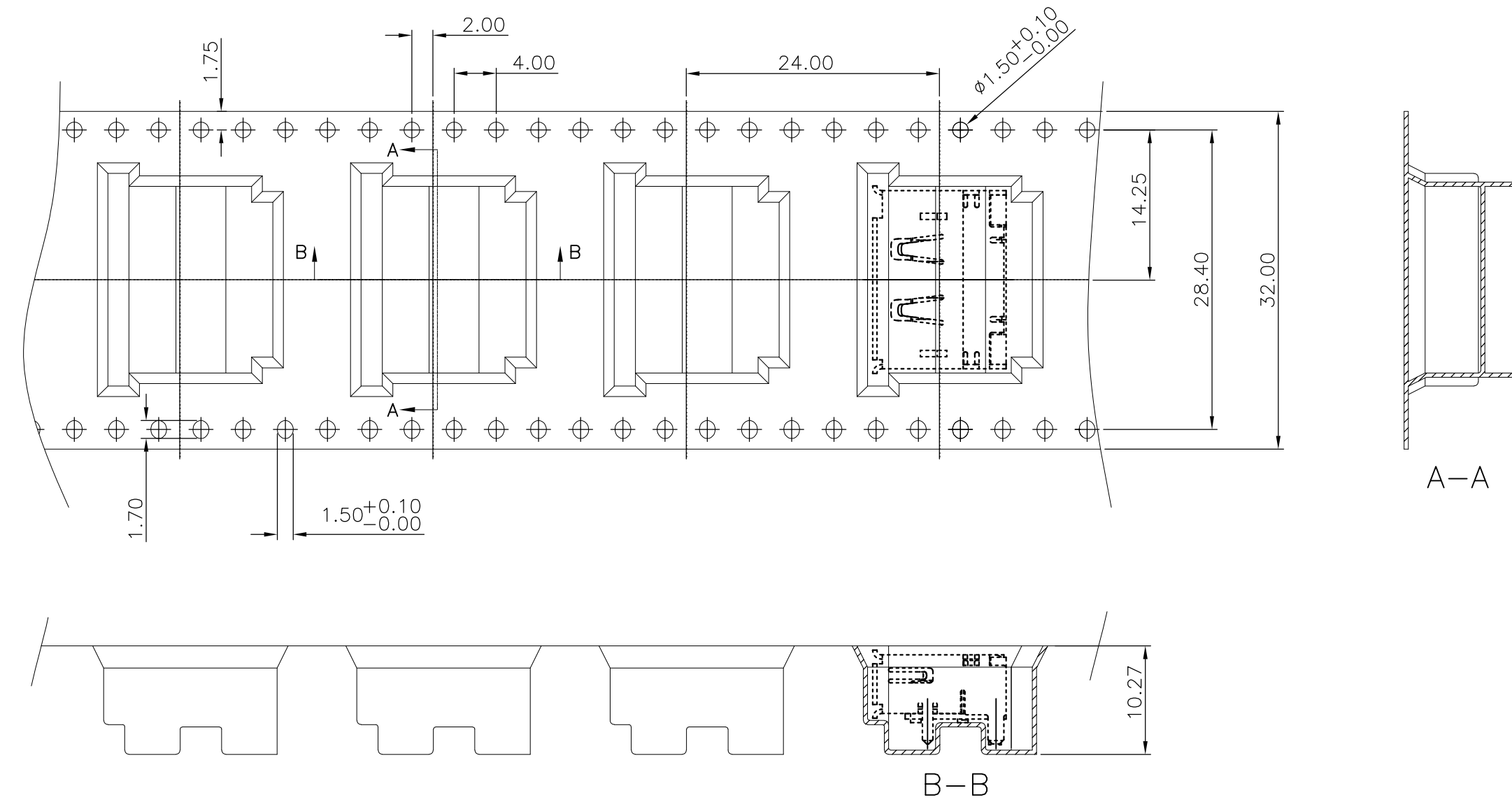
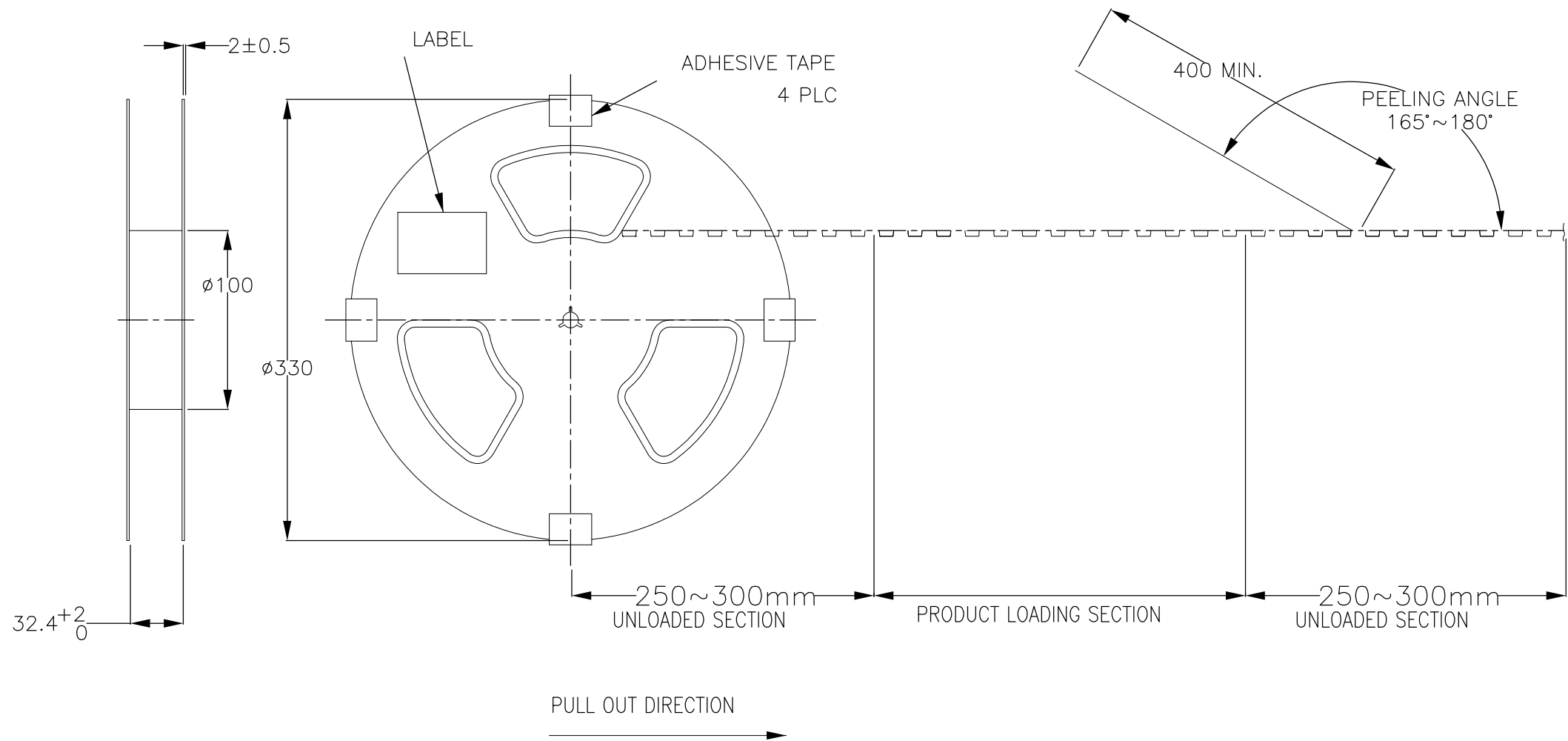
NOTE: THE DIFFERENCE IS THE LAND DIAMETER.

THIS DRAWING IS A CONTROLLED DOCUMENT.		DWN	TE Connectivity	
DIMENSIONS: 单位: 毫米 mm		CHK	RECEPTACLE ASSEMBLY DISPLAYPORT RA TH 2ROW TINE	
TOLERANCES UNLESS OTHERWISE SPECIFIED: 一般公差		APVD	SIZE	CAGE CODE
0 PLC ± 0.3		PRODUCT SPEC 製品規格	A2	00779
1 PLC ± 0.3		APPLICATION SPEC 取付適用規格	DRAWING NO 番号	RESTRICTED TO
2 PLC ± 0.3		WEIGHT	C=2040451	
3 PLC ± 0.3		CUSTOMER DRAWING	SCALE 尺度	SHEET 2 of 5
4 PLC ± 0.3			NTS	REV C1
ANGLES ± 2°				
FINISH 仕上				

THIS DRAWING IS UNPUBLISHED. RELEASED FOR PUBLICATION JAN , 2008.
 © COPYRIGHT 2008 By - ALL RIGHTS RESERVED.

LOC		DIST		REVISIONS			
J	-	-	-	變更	DATE	DWN	APVD
P	LTR	DESCRIPTION					
-	-	SEE SHEET 1				-	-

Ⓢ PACKING FOR 2040451-1 ~ -3



- 1 PRIMARY PACKING: 250PCS /REEL;
- 2 PEELING RESISTANCE: 0.1~0.7N (10.2gf~71.4gf).
- 3 PEELING SPEED: 300mm/minutes.
- 4 CARRIER TAPES, COVER TAPES, REELS AND TAPED COMPONENTS MUST MEET THE REQUIREMENTS DEFINED PER EIA-481-B.

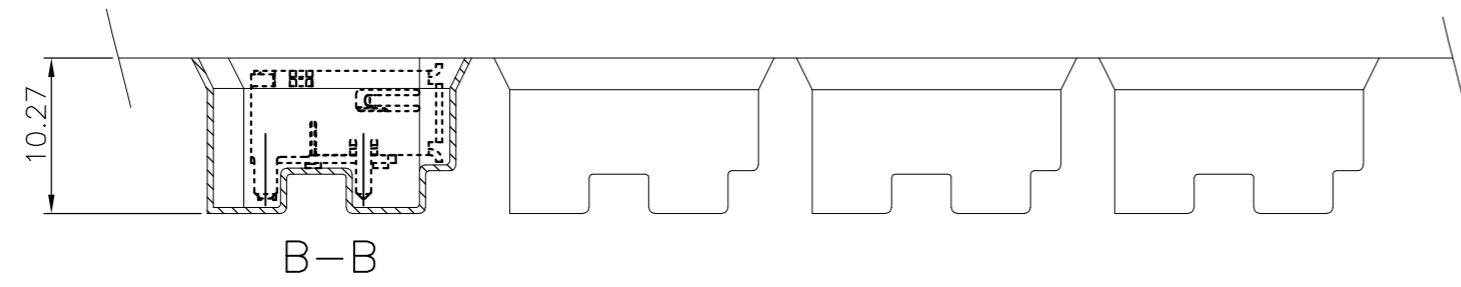
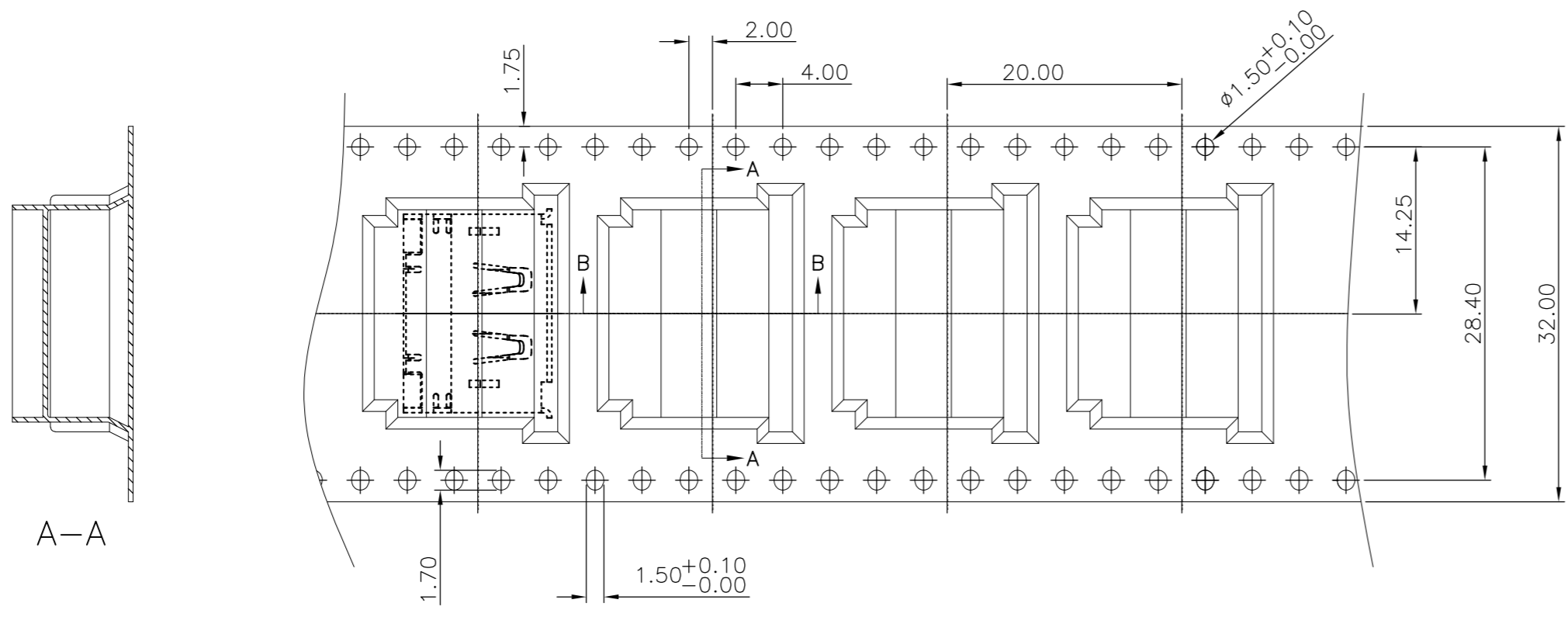
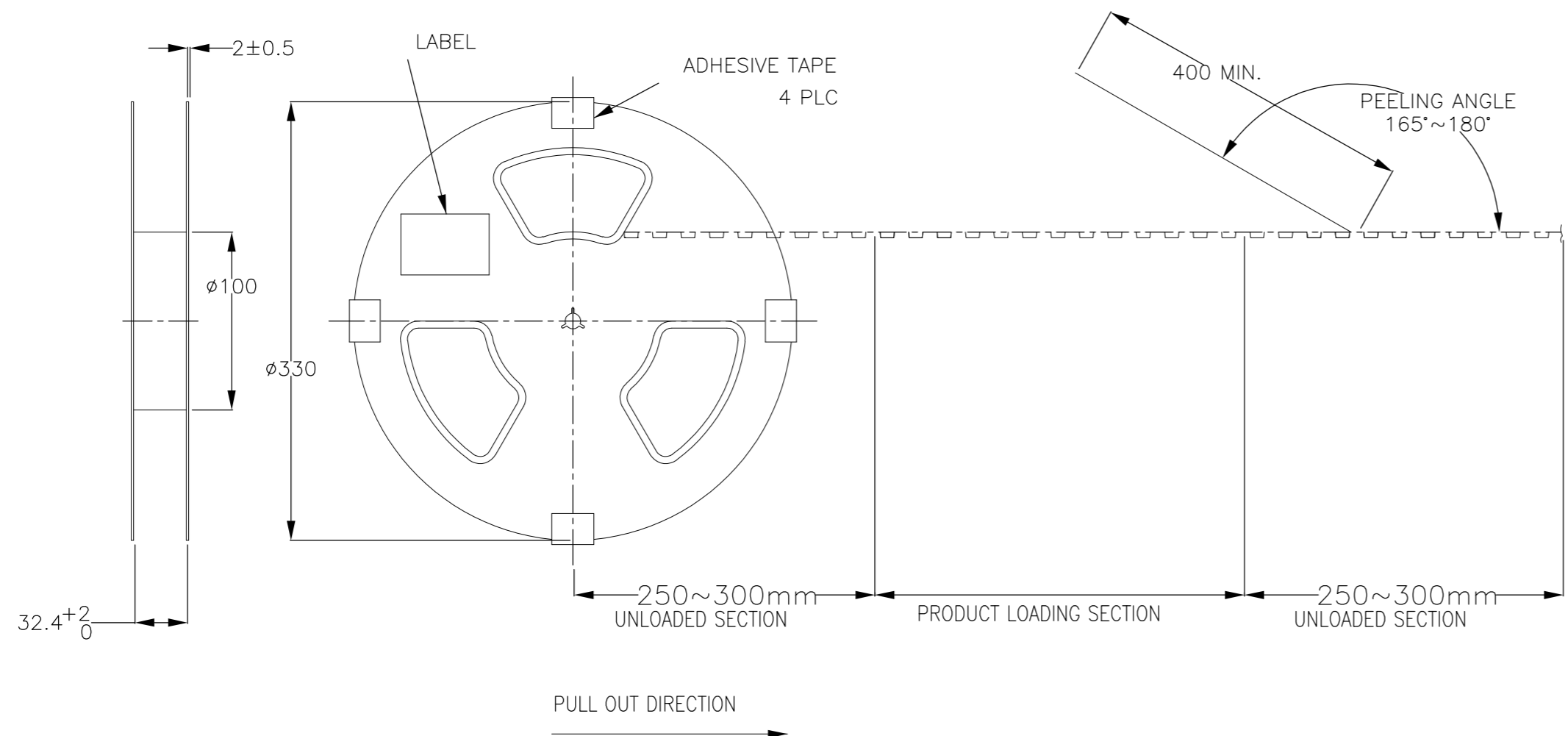
THIS DRAWING IS A CONTROLLED DOCUMENT.		DWN	STE TE Connectivity	
DIMENSIONS: 單位: 毫米 mm		CHK	RECEPTACLE ASSEMBLY DISPLAYPORT RA TH 2ROW TINE	
TOLERANCES UNLESS OTHERWISE SPECIFIED: 一般公差		APVD	NAME	
0 PLC ± 0.3	1 PLC ± 0.3	PRODUCT SPEC	製品規格	
2 PLC ± 0.3	3 PLC ± 0.3	APPLICATION SPEC	取付適用規格	
4 PLC ± 0.3	ANGLES ± 2°	WEIGHT	SIZE	CAGE CODE
MATERIAL 材料	FINISH 仕上	CUSTOMER DRAWING	A2	00779
		SCALE	DRAWING NO	RESTRICTED TO
		NTS	C=2040451	
		SHEET	3 of 5	REV
				C1

2040451

THIS DRAWING IS UNPUBLISHED. RELEASED FOR PUBLICATION JAN , 2008.
 © COPYRIGHT 2008 By - ALL RIGHTS RESERVED.

LOC	DIST	REVISONS					
J	-	P	LTR	DESCRIPTION	DATE	DWN	APVD
		-	-	SEE SHEET 1	-	-	-

Ⓢ PACKING FOR 4-2040451-1 ~ -3



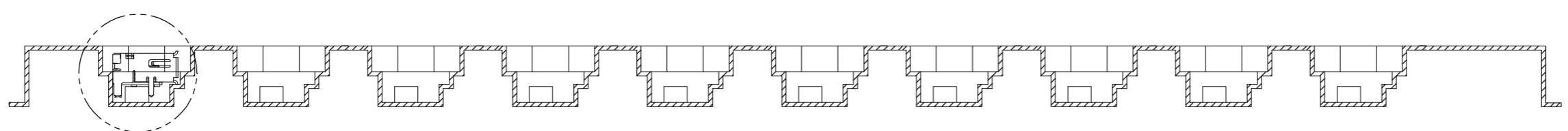
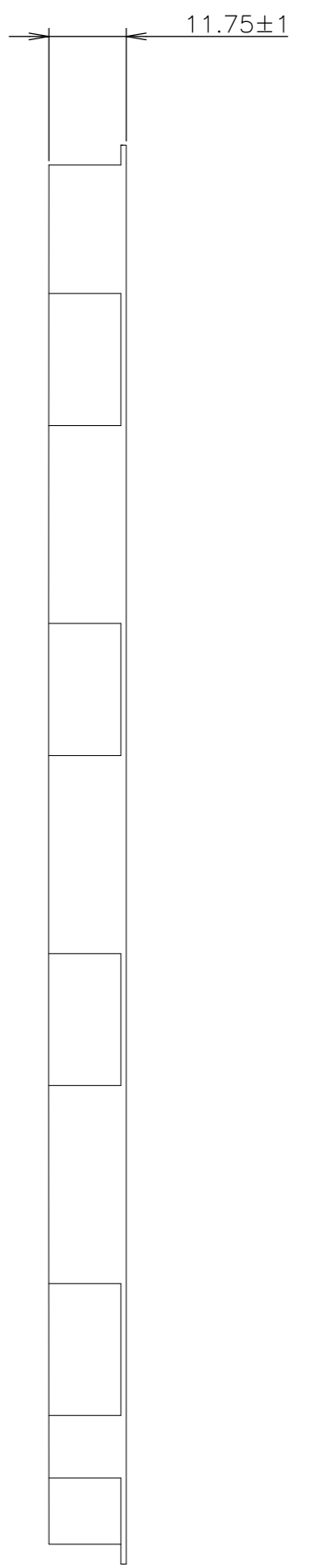
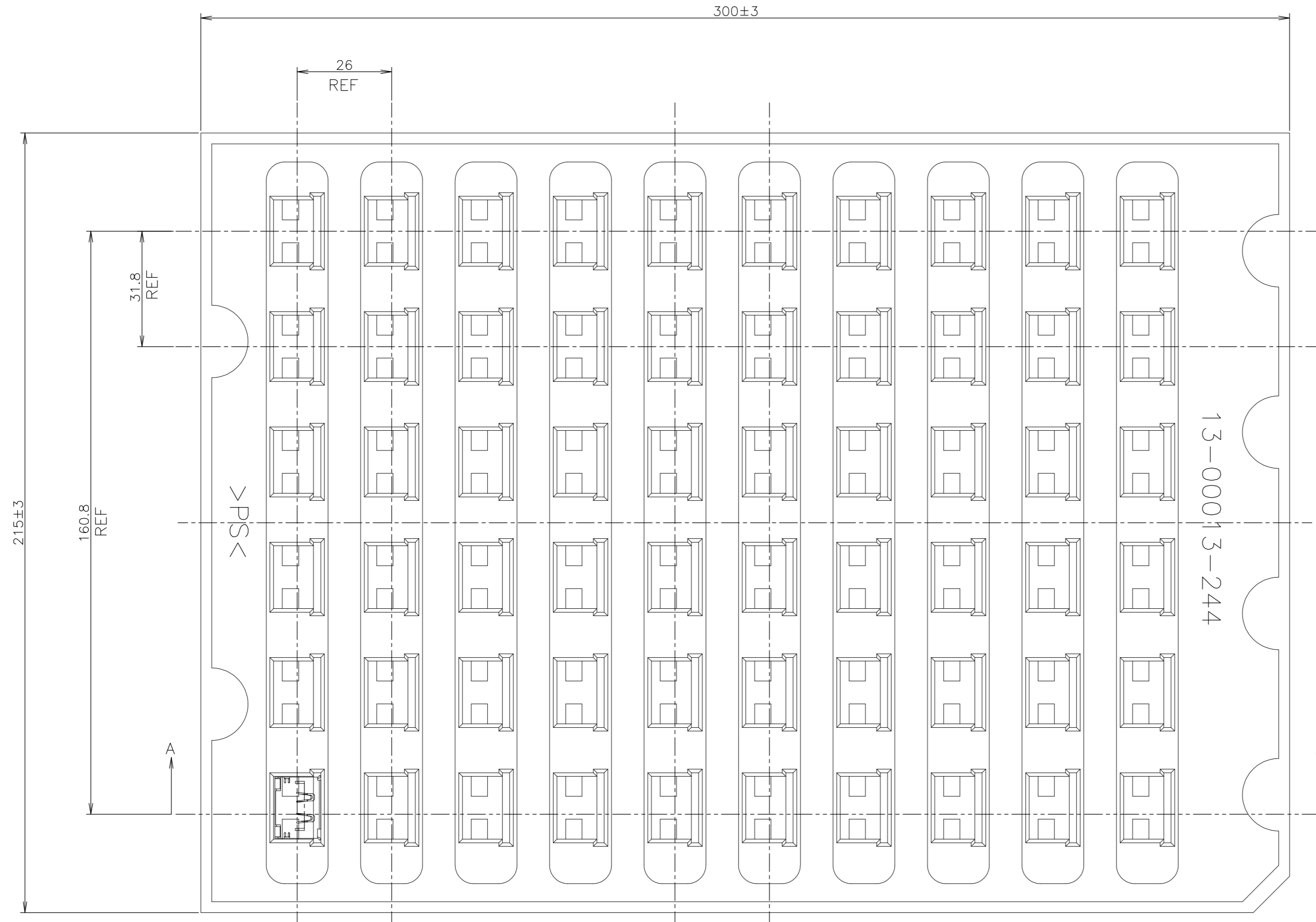
- 1 PRIMARY PACKING: 250PCS /REEL;
- 2 PEELING RESISTANCE: 0.1~0.7N (10.2gf~71.4gf).
- 3 PEELING SPEED: 300mm/minutes.
- 4 CARRIER TAPES, COVER TAPES, REELS AND TAPED COMPONENTS MUST MEET THE REQUIREMENTS DEFINED PER EIA-481-B.

THIS DRAWING IS A CONTROLLED DOCUMENT.		DWN	TE Connectivity		
DIMENSIONS: 單位: 耗 mm		CHK	RECEPTACLE ASSEMBLY DISPLAYPORT RA TH 2ROW TINE		
TOLERANCES UNLESS OTHERWISE SPECIFIED: 一般公差		APVD	NAME	RECEPTACLE ASSEMBLY DISPLAYPORT RA TH 2ROW TINE	
0 PLC ± 0.3		PRODUCT SPEC	SIZE	CAGE CODE	DRAWING NO
1 PLC ± 0.3		APPLICATION SPEC	A2	00779	C=2040451
2 PLC ± 0.3		WEIGHT	RESTRICTED TO		
3 PLC ± 0.3		CUSTOMER DRAWING	SCALE 尺度 NTS SHEET 4 of 5 REV C1		
4 PLC ± 0.3					
ANGLES ± 2°					
MATERIAL 材料	FINISH 仕上				

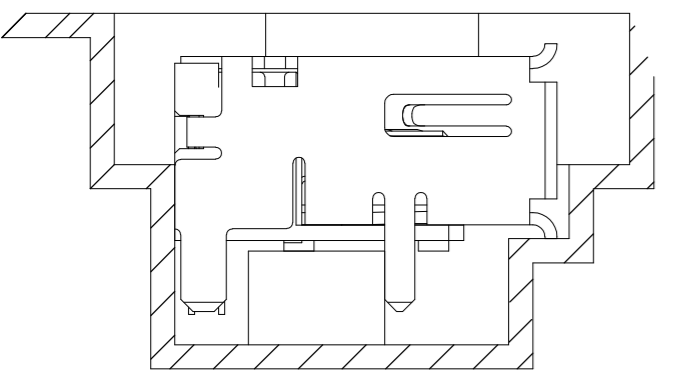
THIS DRAWING IS UNPUBLISHED. RELEASED FOR PUBLICATION JAN , 2008.
 © COPYRIGHT 2008 By - ALL RIGHTS RESERVED.

LOC	DIST	REVISIONS					
J		P	LTR	DESCRIPTION	DATE	DWN	APVD
		-		SEE SHEET 1	-	-	-

© PACKING FOR 9-2040451-1



SECTION A-A



- NOTES:
- PACKING MATERIAL TO BE MET TE CONNECTIVITY SPEC 230-702
 .CADMIUM AND CADMIUM COMPOUNDS CONTENT:
 5ppm UNDER(PLASTIC,RUBBER,INK,PINMENT,PAINT)
 .LEAD,CADMIUM,CHROM VI AND MERCURY CONTENT:
 100ppm(COMBINED)UNDER.(IN PACKAGING MATERIAL)
 - MATERIAL: PS; WHITE; T=0.8mm.
 - 60 PCS/ TRAY

THIS DRAWING IS A CONTROLLED DOCUMENT.		DWN	TE Connectivity		
DIMENSIONS: 单位: 毫米 mm		CHK	RECEPTACLE ASSEMBLY DISPLAYPORT RA TH 2ROW TINE		
TOLERANCES UNLESS OTHERWISE SPECIFIED: 一般公差		APVD	NAME	RECEPTACLE ASSEMBLY DISPLAYPORT RA TH 2ROW TINE	
0 PLC ± 0.3	1 PLC ± 0.3	PRODUCT SPEC	SIZE	CAGE CODE	DRAWING NO
2 PLC ± 0.3	3 PLC ± 0.3	APPLICATION SPEC	A2	00779	C=2040451
4 PLC ± 0.3	ANGLES ± 2'	取件通用规格	SCALE	SHEET	REV
MATERIAL 材料	FINISH 仕上	WEIGHT	尺度 NTS	5 of 5	C1
CUSTOMER DRAWING			RESTRICTED TO		