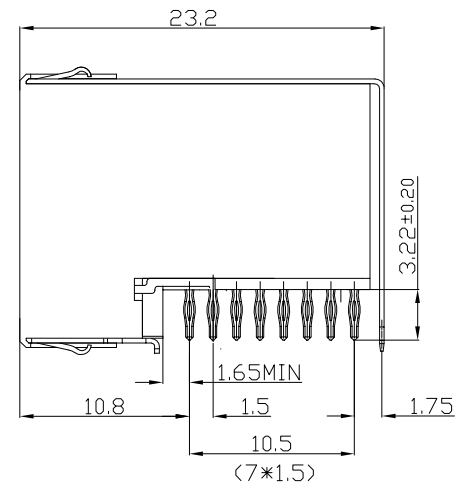
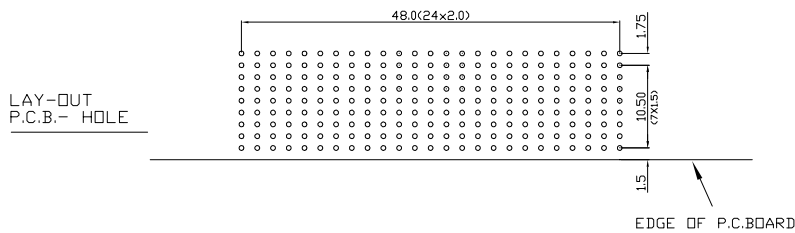
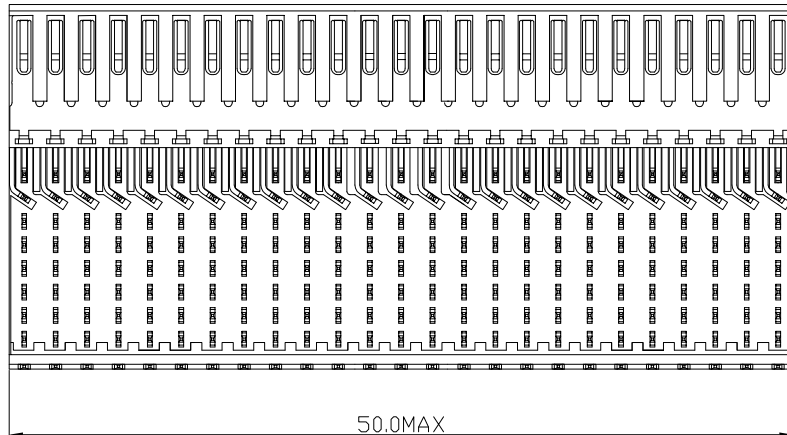
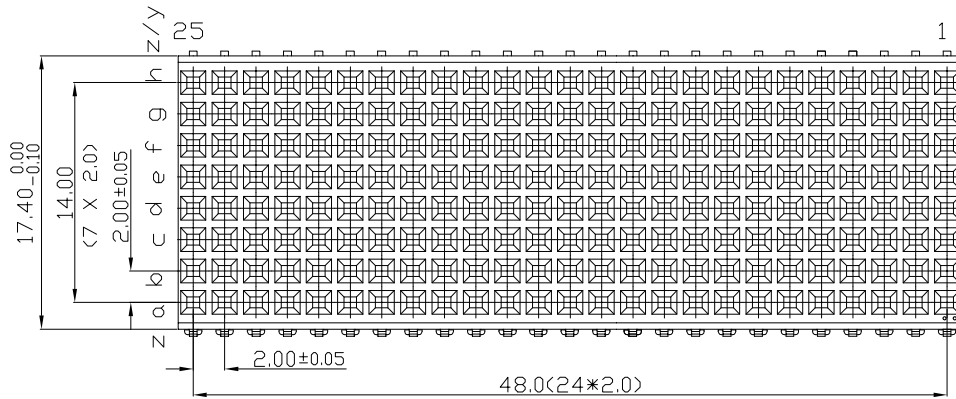


Tous droits strictement reserves. Reproduction ou communication a des tiers interdite sous quelque forme que ce soit sans autorisation ecrite du proprietaire. Propriete de c FCI. Droits de reproduction FCI.



All rights strictly reserved. Reproduction or issue to third parties in any form whatever is not permitted without written authority from the proprietor. Property of FCI. Copyright FCI.



PERFORMANCE CHARACTERISTICS

- CURRENT RATING 1.5A AT 20°C (FULLY LOADED)
- CURRENT RATING 1 A AT 70°C (FULLY LOADED)
- RATED VOLTAGE : 500 V AC (CONT /CONT)
- OPERATING TEMPERATURE : -55°C TO 125°C
- CONTACT RESISTANCE 20 MΩ MAX
- INSERTION FORCE : 0.75N MAX/CONT
- EXTRACTION FORCE : 0.15N MIN/CONT
- INSULATION RESISTANCE : 10⁴ MΩ MIN

- NOTES 1' LEAD FREE INDICATOR LF=LEAD FREE
- PERFORMANCE LEVEL INDICATOR (REF Dwg NDB3C 201844.003)
- THIS PRODUCT IS CSA APPROVED. THIS PRODUCT IS UL RECOGNIZED.
 - FOR RECOMMENDED PTH DIMENSIONS REFER DRAWING : BSA.201572.001
 - THIS PRODUCT (LF) MEETS EUROPEAN UNION DIRECTIVES AND OTHER COUNTRY REGULATIONS AS DESCRIBED IN GS-22-008

rev	ecn no	dr	date
A	CONVERSION REVISION 06	KN	14-09-01
B	DG05-0278	Kason	08-02-05
C	DG07-0362	Kason	05-09-07
D	DG10-0110	NZ	09-09-10

		www.fciconnect.com		tolerance 1DEC ±0.2 1DEC 2DEC ±0.1 2DEC ANGLES ±1° HOEKEN		projection 		MM ← →	
Dr	N.OTTO	03-10-99	Product family	MILLIPICS		size	A4	Scale 3/1	
Eng			Spec ref						
Chr			Material				ECN		
Appr									
title				MPACS 8+2R RA RCP CONN TYPE E/ SHIELDED		dwg no	BS,C ,202260,009		Rev. D
catalog no				HM2R88PA8104----		CUSTOMER	sheet 1 of 1		