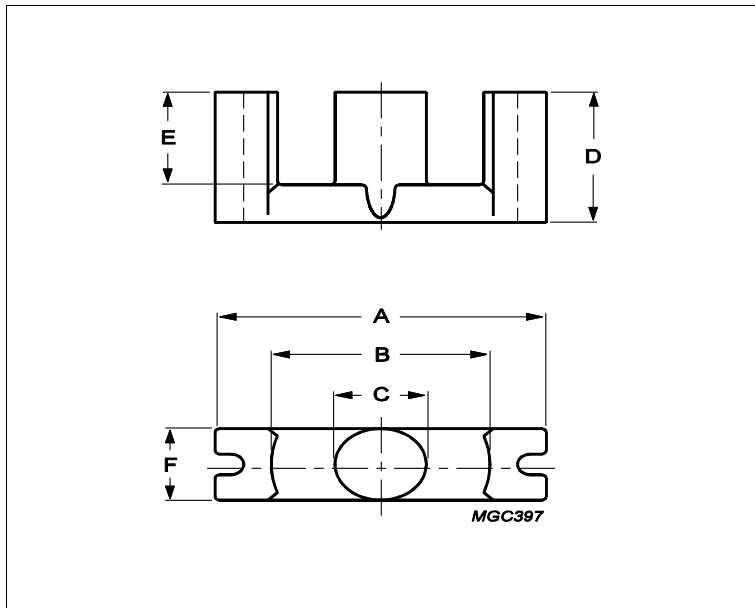


Core **EC41/19/12**



Effective parameters			
	Parameter	Value	Unit
$\Sigma(I/A)$	core factor (C1)	0.735	mm ⁻¹
Ve	effective volume	10800	mm ³
Le	effective length	89.3	mm
Ae	effective area	121	mm ²
Amin	minimum area	106	mm ²
m	EC41/19/12	≈ 30	g/pcs

Dimensions for product: EC41/19/12						
	Nom	Tol +	Tol -	Max	Min	Unit
A					41.60	mm
B	27.05	0.80	0.80	27.85	26.25	mm
C	11.60	0.30	0.30	11.90	11.30	mm
D	19.50	0.15	0.15	19.65	19.35	mm
E	13.90	0.40	0.40	14.30	13.50	mm
F	11.60	0.30	0.30	11.90	11.30	mm

Inductance factor					
Material	Value	Tol +	Tol -	Unit	
3C91	4200	25%	25%	nH/turns ²	
3C94	3100	25%	25%	nH/turns ²	

Power loss: 3C91					
Measuring conditions			Max	Unit	
100 kHz	200 mT	60 °C	5.400	W/set	
Power loss: 3C94					
Measuring conditions			Max	Unit	
100 kHz	200 mT	100 °C	5.400	W/set	

Bsat					
Measuring conditions			Material	Min	Unit
25 kHz	250 A/m	100 °C	3C91	320	mT
25 kHz	250 A/m	100 °C	3C94	320	mT

Core EC41/19/12

Accessories		
Ordering name	Description	Ordering code
BPL4-EC41	#N/D!	432202127201
CLM/U-EC41	Clump, U shape with thread	432202127191
CP-EC41-1S	Coil former, termoplastic	432202103711
PIN/H-EC	Insertable pins, horizontal	432202103741
PIN/V-EC41	Insertable pins, vertical	433500043021
PIN-EC	Insertable pins	432202103751